

AUX

Technology leads Intelligent life

Technical Service Manual

ARV Outdoor Unit

ARV 6 All DC Inverter T1



ARV-H250/SR1MV

ARV-H280/SR1MV

ARV-H330/SR1MV



ARV-H400/SR1MV

ARV-H450/SR1MV

ARV-H500/SR1MV

ARV-H560/SR1MV

ARV-H610/SR1MV

2017.11

CONTENT

Part1 General Information	4
1. Product features and benefits	5
2. Product lineup	14
3. Outdoor unit combination	15
4. Nomenclatures	16
5. Connection ratio	17
Part2 Outdoor Engineering Data	19
1. Specifications	20
2. Dimensions	23
3. Piping diagrams	25
4. Electrical schematic diagram	30
5. Wiring diagram	31
6. Operation limits	32
7. Capacity table	33
8. Sound level	101
9. Explode View	102
Part3 Installation	120
1. Preface of installation	121
2. Installation of Outdoor Unit	122
3. Installation of refrigerant pipe	125
4. Additional refrigerant	141
5. Insulation	142
6. Electrical connection	143
Part4 Commissioning	146
1. Preparatory work	147
2. DIP switch	149
3. Commissioning	151
4. Function and Parameter	156
5. Commissioning Based on Monitoring Software	162
6. IDU Parameter setting by Controller	171
Part 5 Function and Control	177

1. Function General	178
2. Basic Control.....	181
3. Protection Control	186
4. Special Control.....	188
Part 6 Trouble shooting	190
1. Poor effect of cooling and heating	191
2. Error code indication	192
3. Appendix	206
Part 7 Controller System.....	210
1. Controller Introduction.....	211
2. Remote controller.....	213
3. Wired Controller	217
4. Centralized Controller	221
6. Centralized Controller Software.....	237
7. BMS- MODBUS Protocol.....	246
8. BMS- BACNET Protocol	250
9. Wireless Network Centralized Control System.....	259
10. Selection software.....	260

Part1 General Information

1. Product features and benefits	5
2. Product lineup	14
3. Outdoor unit combination	15
4. Nomenclatures.....	16
5. Connection ratio	17

1. Product features and benefits

1.1 VER Technology

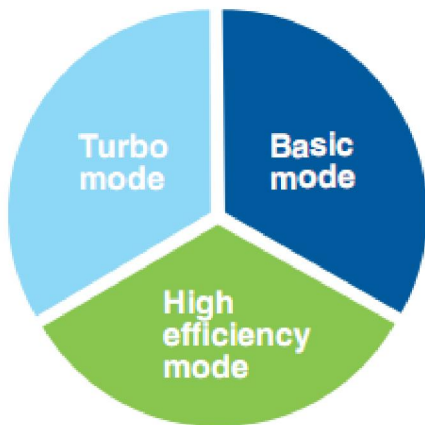
Variable Energy-efficiency Regulation

Evaporating and condensing temperature makes strong effect to the cooling and heating performance and energy-efficiency ratio of AC system.

Thanks to VER technology, ARV6 series has various modes with different refrigerant temperature which lead the system to different performance and energy-efficiency ratio.

Cooling: There are 3 modes with different evaporating temperature.

Heating: There are 3 modes with different condensing temperature.



Turbo mode: High cooling and heating performance, cool down or warm up the room rapidly.

Basic mode: Default mode, balance the reaction speed and efficiency.

High efficiency mode: Satisfy the lowest capacity requirement and low the energy consumption.

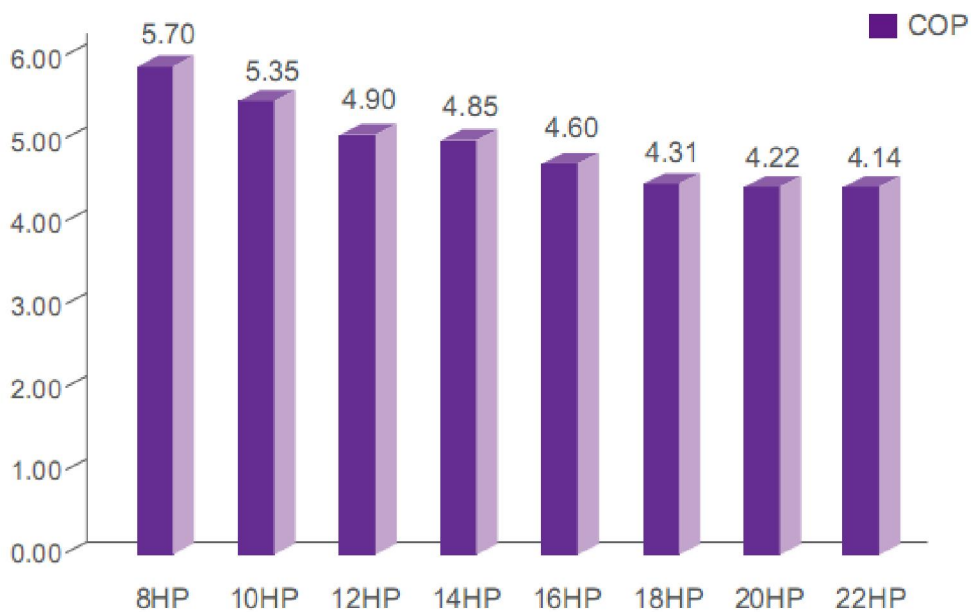
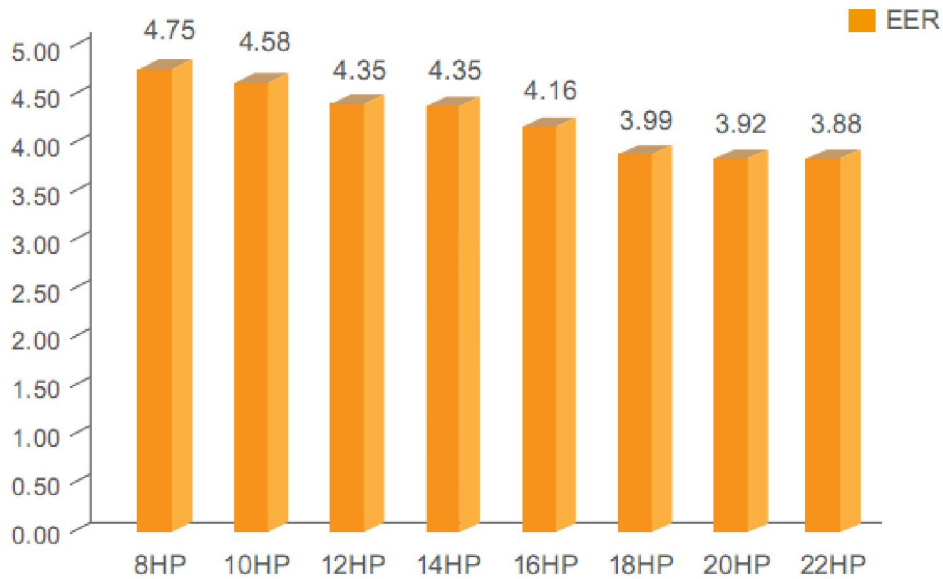
Users can choose a certain mode according to the actual need in different area and climate, so that the system can satisfy various requirement, and the seasonal efficiency can be optimized.

1.2 High Efficiency and Energy Saving

High EER And COP

ARV 6 Series achieves the industry's top class energy efficiency in cooling and heating by utilizing all DC inverter compressors, and Enhanced vapor injection.

The cooling EER is up to 4.75 and the heating COP is up to 5.70 in the 8HP category.

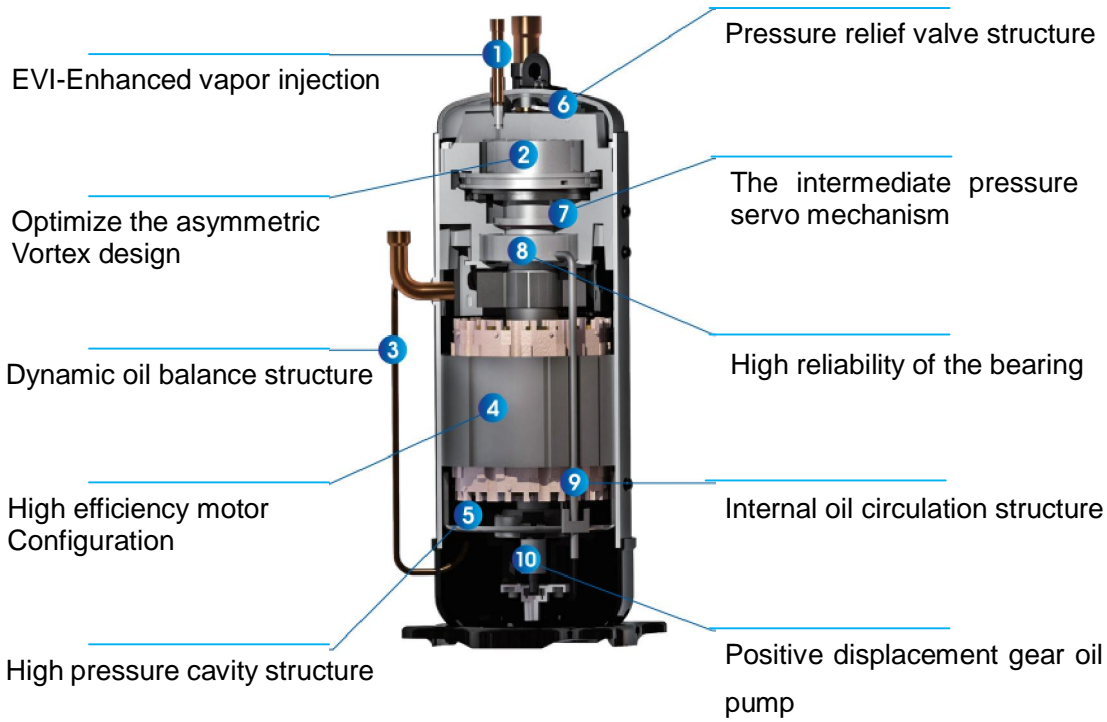


All DC Inverter

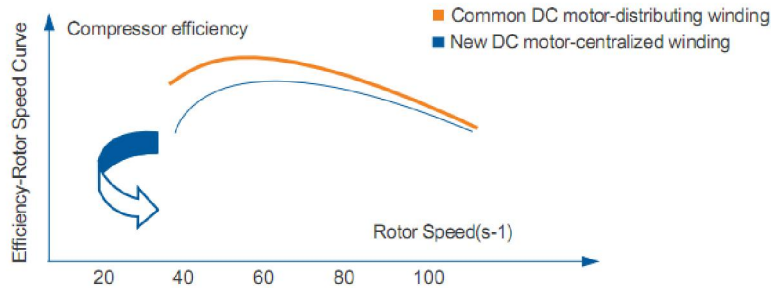
New generation DC inverter compressor, high efficiency, large capacity and wide operation range.

DC fan motor, optimized designed fan blade and winds cooper, enhance the air flow volume and reduce the noise.

Enhanced Vapor Injection DC Inverter Compressor

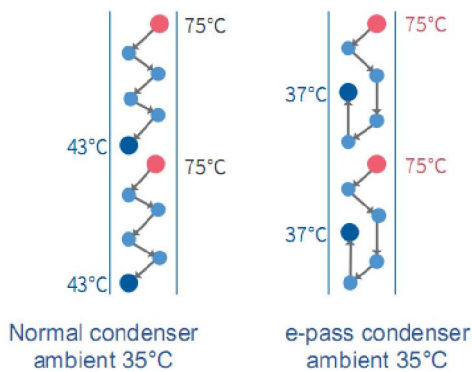


High-efficient permanent magnetic motors are installed, giving better performance than traditional DC inverter compressors.



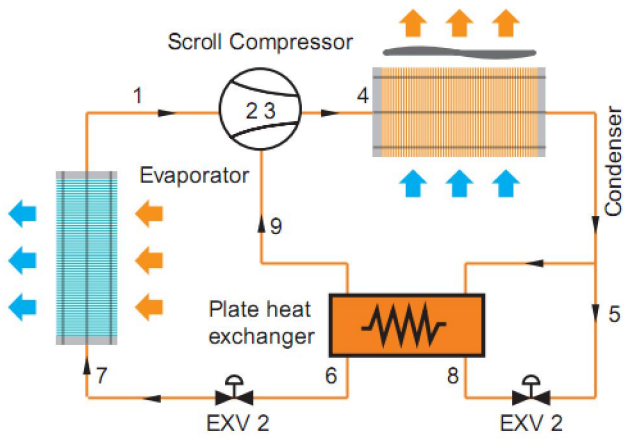
Powerful magnets provide high torque and efficiency and achieve 70% reduction in volume.

3-step Sub-cooling Technology

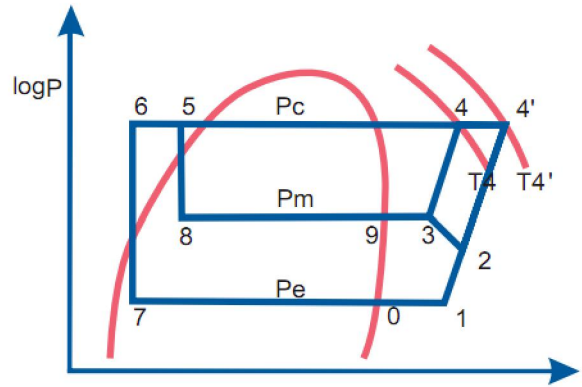


1-step: Optimize the design of the condenser 12°C sub-cooling by optimized refrigerant circuit and "Inverse fin type" window fin design.

2-step: 5.5 °C sub-cooling by special plate heat exchanger further reduce the refrigerant temperature flowing into the indoor unit.



Structure Diagram



P-H Diagram

3-step: 14.5 °C sub-cooling by dual EXV with a special and effective plate heat exchanger.

- Low cold
- Mid cold
- High cold
- Super cold



4-times Anticipation Energy-saving Control Technology

Module anticipation energy-saving control technology

In partial load, intelligent judgment single operation and the efficiency of the module keep the minimum power consumption.

Compressor anticipation energy-saving adjustment technology

Control compressors quantity and operating frequency, to get higher energy efficiency ratio in partial load. Compressor parallel technology.

Fan anticipation energy-saving adjustment technology

Control running quantity and operating frequency, obtain higher energy efficiency ratio under partial load.

Refrigerant anticipation energy-saving technology adjustment

Adjust the opening of the electronic expansion valve, to improve the effect of condenser heat transfer, to get higher energy efficiency ratio under partial load.

1.3 Wide Application Range

Large Capacity & Free Combination

Maximum combination: 88HP (246kW), top level in industry. Less quantity of system, space saving, easy installation and low cost.

Wide Operation Range (-25 ~52)

-15~52 for cooling operation and -25~24 for heating operation

Wide Voltage Design (380V ± 15%)

Changeable ESP

Optimized fan provide outdoor unit up to 110Pa static pressure. Outdoor units can be installed in the service floor or facility room.

Long Piping Length

Thanks to the DC inverter control technology and sub-cooling circuit technology ,it is possible to design a system with longer piping and elevation difference which make it easier to design and installation.

Max. Total piping length — 1000m

Max. Actual piping length — 240m

Max. piping length from 1st indoor branch to the farthest indoor unit — 40m/90m*

Max. Level difference between outdoor units — 5m

Max. Level difference between indoor units — 30m

Max. Level difference between ODU and IDU units — 110m

The longest length after first branch is 40m as standard can be extended to up to 90m under certain conditions. Please contact your local dealer for further information.

1.4 Comfortable And Healthy Environment

Outdoor Unit Quiet Mode

By using optimized fan blades and the CFD (computational Fluid Dynamics) technology, the product is equipped with the night low-noise operation function. Provide more quiet operation during the night. Minimum operation noise only 45dB (A).

Indoor Unit Quiet Mode

Innovative centrifugal fan for large diameter and a new design of the spiral duct system equipped with high-quality motor at the same time, making the air supply more quietly and smoothly. The lowest noise is 18 db(A).

Intelligent Defrosting

Variable parameters defrost through temperature and pressure sensors, to grasp time accurately which can defrost or heat normally.

Base on the main unit and at the end of the EXV control the output, fast bolt in liquid refrigerant system, unit operation is more stable; Through the dry run, defrosting exhaust temperature higher, more complete, more conventional. The defrosting time less 3 min than others at least.

Refrigerant pipeline design to ensure outdoor heat exchanger bottom no frost during heating and ice water mixture discharge smoothly when defrosting.



Normal air conditioner



ARV 6

Precise Temperature Control

Double EXVs in one system ,each EXV part achieves 480Plus rate to precisely adjust refrigerant flow.

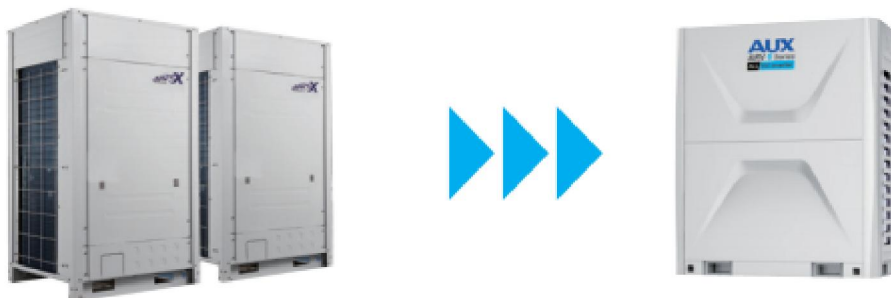


Humanization Design

VIP Function、 Auto Restart Function、 Economic Locking Function

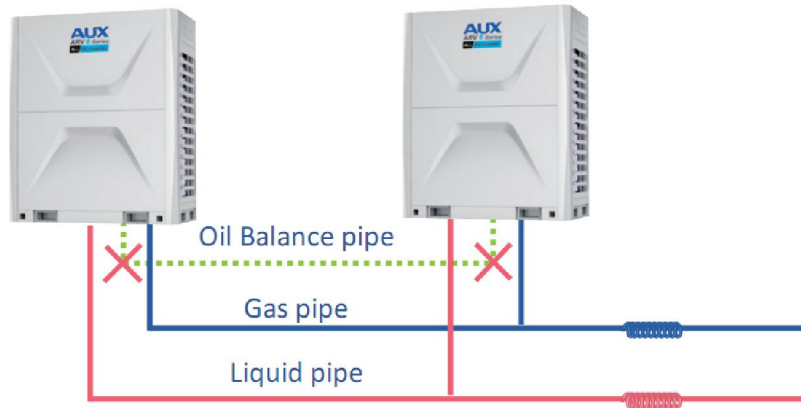
1.5 Easy Installation & Maintenance

Saving Installation Space

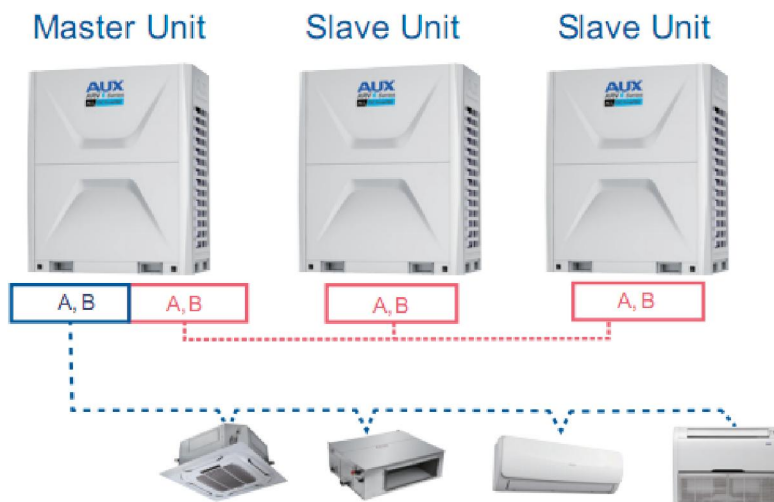


22HP: Required Space Reduced by 44%

No Oil Balance Pipe Between ODUS



Non-Polar Communication



Auto Commissioning

When commissioning, the outdoor main board can check the operation state and show the corresponding error code in engineering mode. Find out the faults when commissioning, enhance the reliability of the system.

Auto Refrigerant Recycling & Auto Refrigerant Charging

Refrigerant can be recycled to the outdoor units or indoor units when maintenance is need.

The outdoor unit can adjust the refrigerant amount according to the operation parameters such as pressure and temperature, and remind the installation personnel to stop charging.

One Button Test Run

Press the button lightly once in the motherboard outdoor , to realize the cooling and heating test run, don't need to open indoor machine one by one.

Auto-Dust Removal & Auto Snow-Blowing

The outdoor fan can rotate in reverse direction to remove dust on heat exchanger to ensure the heat exchange performance.

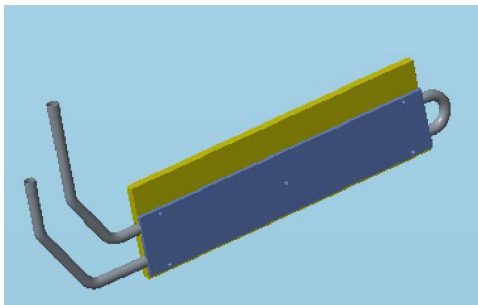
Black BOX Function

Using aviation grade Black BOX technique, memorizing operation parameters before the failure, finding fault information quickly, as an accurate, efficient maintenance services to provide valuable information, maintenance more convenient.

360° Pipe-connecting Mode

1.6 Reliable & Stable

Refrigerant PCB Cooling System



The PCB is well cooled by the refrigerant, ensuring the system operate steadily even in tropical area.

Frequency limit of inverter compressor can be relaxed, so that the output capacity of ODU can be higher than conventional.

Precise Refrigerant Control

Real-time monitoring the discharge and suction pressure of the system. So the output of compressors and the EXV open degree can be regulated precisely to optimize the compression ratio. Ensuring the compression ratio always in safety zone.

Module Alternate Operation

In one combination system, any module could run as the master unit according to the running time. Balance the life of the outdoor units in one system.

Back-Up Operation Technology



Module Back-Up Technology、 Compressor Back-Up Technology、 Fan Motor Back-Up Technology

Oil Return Control Technology









Compressor with oil mist separation、 Oil self balancing control design、 High efficient oil separator、 Gas-liquid separator oil return、 Oil return procedure control、 Cross oil return control




2. Product lineup

2.1 Outdoor unit

Appearance	Capacity (HP / kW)	Model
	8 / 25.2	ARV-H250/SR1MV
	10 / 28.0	ARV-H280/SR1MV
	12 / 33.5	ARV-H330/SR1MV
	14 / 40.0	ARV-H400/SR1MV
	16 / 45.0	ARV-H450/SR1MV
	18 / 50.4	ARV-H500/SR1MV
	20 / 56.0	ARV-H560/SR1MV
	22 / 61.5	ARV-H610/SR1MV

2.2 Indoor unit

Type	Appearance	Capacity :kW											
		2.8	3.6	4.5	5.6	7.1							
1-way cassette (AC)		2.8	3.6	4.5	5.6	7.1							
2-way cassette (AC)		2.8	3.6	4.5	5.6	7.1							
4-way cassette compact (DC)		2.8	3.6	4.5	5.6								
4-way cassette (AC&DC)						7.1	8.0	9.0	10.0	11.2	12.5	14.0	
Ceiling & Floor (AC)		2.8	3.6	4.5	5.6	7.1	8.0	9.0	10.0	11.2	12.5	14.0	
Wall mounted (AC&DC)		2.2	2.8	3.6	4.5	5.6	7.1						
Slim Duct (AC&DC)		2.2	2.8	3.6	4.5	5.6	7.1						
Mid ESP Duct (50/80 Pa,AC&DC)		4.5	5.6	7.1	8.0	9.0	10.0	11.2	12.5	14.0	15.0		

High ESP Duct (196Pa,AC)		11.2	12.5	14	15	22	28	45	56			
Fresh Air Unit(AC)		22	28	45	56							
Heat Recovery Ventilator(AC)		Air Volume (m³/h) : 200~5000										

3. Outdoor unit combination

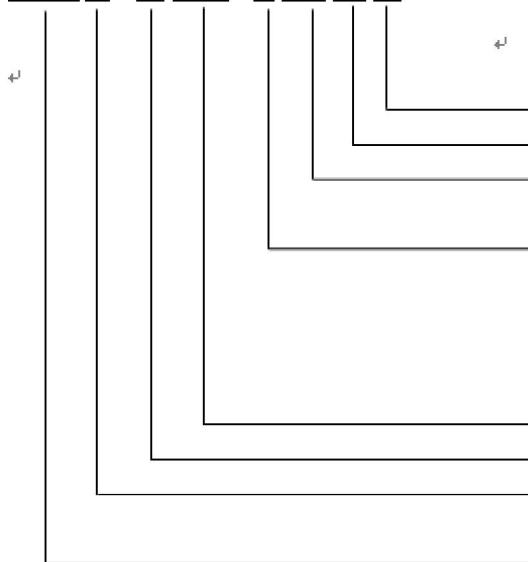
KW	HP	8HP	10HP	12HP	14HP	16HP	18HP	20HP	22HP
25.2	8								
28	10								
33.5	12								
40	14								
45	16								
50.4	18								
56	20								
61.5	22								
67	24								
73	26								
78.5	28								
84	30								
89.5	32								
95	34								
101.5	36								
106.5	38								
111.9	40								
117.5	42								
123	44								
128.5	46								
134.5	48								
140	50								
145.5	52								
151	54								
156.5	56								
163	58								
168	60								
173.4	62								
179	64								
184.5	66								

190	68								
196	70								
201.5	72								
207	74								
212.5	76								
218	78								
224.5	80								
229.5	82								
234.9	84								
240.5	86								
246	88								

4. Nomenclatures

4.1 Outdoor Unit

ARV T - H 280 / 5 R1 M A



Design Series Code

M: Modular Outdoor Unit Non- Modular One Omitted

Refrigerant Type:

R1: R410A R22 Omitted

Power Supply:

2: 220-240V~, 1Ph, 60Hz **4:** 220-240V~, 1Ph, 50Hz

5: 380-415V~, 3Ph, 50Hz **6:** 380-415V~, 3Ph, 60Hz

9: 208-230V~, 3Ph, 60Hz **N:** 220-240V~, 1Ph, 50/60Hz

S: 380-415V~, 3Ph, 50/60Hz

Cooling Capacity (×100W)

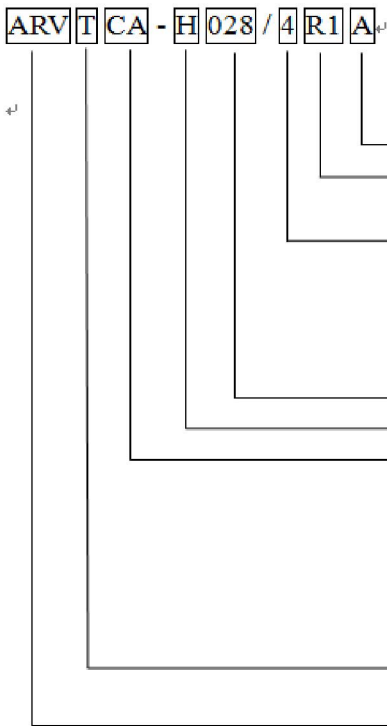
H: Cooling & Heating **C:** Cooling Only

Climate Class:

T: T3 Type

AUX Refrigerant Variable AC

4.2 Indoor unit



- Design Series Code**
- Refrigerant Type:**
 - R1: R410A
 - R22 Omitted
- Power Supply:**
 - 2: 220-240V~, 1Ph, 60Hz
 - 4: 220-240V~, 1Ph, 50Hz
 - 5: 380-415V~, 3Ph, 50Hz
 - 6: 380-415V~, 3Ph, 60Hz
 - 9: 208-230V~, 3Ph, 60Hz
 - N: 220-240V~, 1Ph, 50/60Hz
 - S: 380-415V~, 3Ph, 50/60Hz
- Cooling Capacity (×100W)**
 - H: Cooling & Heating
 - C: Cooling Only
- Indoor Unit Type:**
 - C1: One-way Cassette
 - C2: Two-way Cassette
 - CA: Four-way Cassette
 - CF: Ceiling & Floor
 - SD: Slim Duct
 - MD: Mid ESP Duct
 - HD: High ESP Duct
 - WM: Wall Mounted
 - FA: Fresh Air Processor
- Climate Class:**
 - T: T3 Type
- AUX Refrigerant Variable AC**

5. Connection ratio

$$\frac{\sum \text{rated cooling capacity of indoor unit}}{\sum \text{rated cooling capacity of outdoor unit of one system}} = \text{Connection ration}$$

Connection ratio is 50~200%

No. of outdoor unit	Connection capacity
Single unit	200%
Double unit	160%
Triple unit	130%
Over triple unit	130%

Note

- 1) Maximum cooling capacity of unit is determined by the rated cooling capacity of outdoor unit.
- 2) The connection capacity in the table above is only for standard indoor unit, if there is fresh air processing unit in the system, the maximum connection capacity is 100%.

⚠ Caution

- 1) A combination operation over 100% cause to reduce each indoor unit capacity.
- 2) We can guarantee the operation only within 130% Combination, If you want to connect more than 130% combination, please contact us and discuss the requirement like below.

- a) If the operational capacity of indoor units exceed 130%, then all the indoor units operate under low air step mode.
- b) Over 130%, capacity is same as capacity of 130%, same remark is valid for power input.

Part2 Outdoor Engineering Data

1. Specifications	20
2. Dimensions	23
3. Piping diagrams	25
4. Electrical schematic diagram.....	30
5. Wiring diagram	31
6. Operation limits	32
7. Capacity table	33
8. Sound level	101
9. Explode View	102

1. Specifications

HP			8	10	12
Model			ARV-H250/SR1MV	ARV-H280/SR1MV	ARV-H330/SR1MV
Combination type			/	/	/
Power Supply			380 ~ 415V, 3Ph ~ 50/60Hz		
Cooling	Capacity	kW	25.2	28	33.5
	Power Input	kW	5.31	6.11	7.70
	EER	kW/kW	4.75	4.58	4.35
Heating	Capacity	kW	28	31.5	37.5
	Power Input	kW	4.91	5.89	7.65
	COP	kW/kW	5.70	5.35	4.90
Maximum input power		kW	11.0	11.7	13.2
Compressor	Type		DC inverter compressor		
	Brand		Hitachi		
	Oil type		FVC68D		
	Oil volume	L	1.1	1.1	1.1
Fan	Type		Axial flow fan		
	Output power	kW	950	950	950
	Airflow volume	m ³ /h	12000	12000	12000
Sound pressure level		dB(A)	58	58	58
Dimension WxDxH	Net	mm	990x765x1635	990x765x1635	990x765x1635
	Packing	mm	1050x815x1805	1050x815x1805	1050x815x1805
Weight	Net	kg	215	215	230
	Gross	kg	225	225	240
Refrigerant	Type		R410A		
	Factory charge	kg	11.0	11.0	14.0
Maximum pressure		MPa	4.2	4.2	4.2
Pipe size	Liquid side	mm	12.7	12.7	12.7
	Gas side	mm	22.2	22.2	22.2

Notes:

1. Cooling Capacity: Indoor temperature 27 DB / 19 WB; Outdoor temperature:35 DB / 24 WB;
2. Heating Capacity: Indoor temperature 20 DB; Outdoor temperature:7 DB / 6 WB;
3. Piping Length: Equivalent piping length:5m,level difference:0m;
4. Anechoic chamber conversion value, measured in test room. During actual operation. These values are normally somewhat higher as a result of ambient conditions ;
5. The above designs and specifications are subject to change of product improvement without prior notice.

AUX ARV OUTDOOR UNIT – ARV 6 ALL DC INVERTER T1 50&60HZ

Part 2

HP			14	16	18
Model			ARV-H400/SR1MV	ARV-H450/SR1MV	ARV-H500/SR1MV
Combination type			/	/	/
Power Supply			380 ~ 415V, 3Ph ~ 50/60Hz		
Cooling	Capacity	kW	40	45	50.4
	Power Input	kW	9.20	10.82	12.63
	EER	kW/kW	4.35	4.16	3.99
Heating	Capacity	kW	45	50	55.5
	Power Input	kW	9.28	10.87	12.88
	COP	kW/kW	4.85	4.60	4.31
Maximum consumed power		kW	18.5	19.2	26.1
Compressor	Type		DC inverter compressor		
	Brand		Hitachi		
	Oil type		FVC68D		
	Oil volume	L	1.1	1.1	1.1
Fan	Type		Axial flow fan		
	Output power	kW	550×2	550×2	550×2
	Airflow volume	m ³ /h	14000	14000	16000
Sound pressure level		dB(A)	61	61	63
Dimension W×D×H	Net	mm	1340×765×1635	1340×765×1635	1340×765×1635
	Packing	mm	1400×815×1850	1400×815×1850	1400×815×1850
Weight	Net	kg	265	265	330
	Gross	kg	280	280	345
Refrigerant	Type		R410A		
	Factory charge	kg	14.00	14.00	16.00
Maximum pressure		MPa	4.2	4.2	4.2
Pipe size	Liquid side	mm	15.88	15.88	15.88
	Gas side	mm	28.6	28.6	28.6

Notes:

1. Cooling Capacity: Indoor temperature 27 DB / 19 WB; Outdoor temperature:35 DB / 24 WB;
2. Heating Capacity: Indoor temperature 20 DB; Outdoor temperature:7 DB / 6 WB;
3. Piping Length: Equivalent piping length:5m,level difference:0m;
4. Anechoic chamber conversion value, measured in test room. During actual operation. These values are normally somewhat higher as a result of ambient conditions ;
5. The above designs and specifications are subject to change of product improvement without prior notice.

AUX ARV OUTDOOR UNIT – ARV 6 ALL DC INVERTER T1 50&60HZ

Part 2

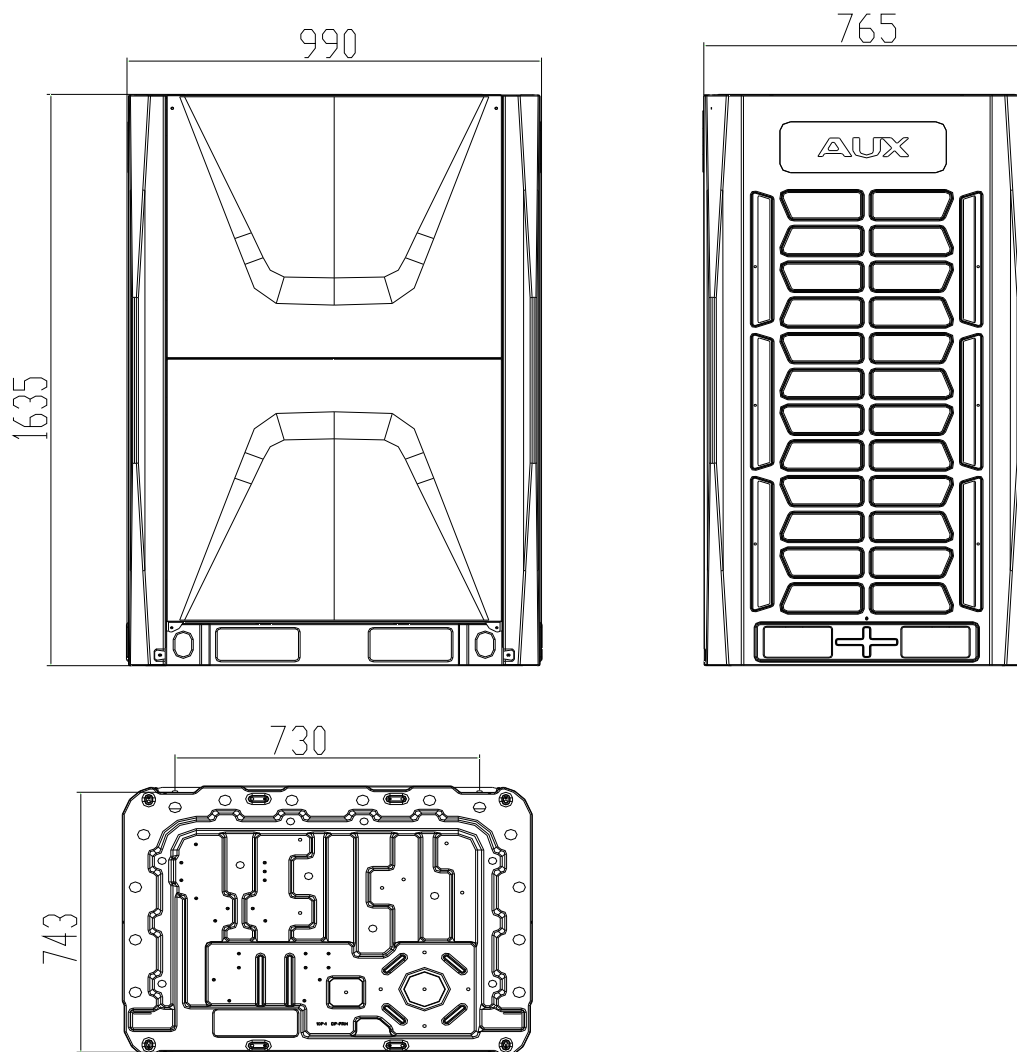
HP			20	22
Model			ARV-H560/SR1MV	ARV-H610/SR1MV
Combination type			/	/
Power Supply			380 ~ 415V, 3Ph ~ 50/60Hz	
Cooling	Capacity	kW	56	61.5
	Power Input	kW	14.29	15.85
	EER	kW/kW	3.92	3.88
Heating	Capacity	kW	63	69
	Power Input	kW	14.92	16.67
	COP	kW/kW	4.22	4.14
Maximum consumed power		kW	26.6	27.4
Compressor	Type		DC inverter compressor	
	Brand		Hitachi	
	Oil type		FVC68D	
	Oil volume	L	1.1	1.1
Fan	Type		Axial flow fan	
	Output power	kW	550x2	550x2
	Airflow volume	m3/h	16000	16000
Sound pressure level		dB(A)	63	63
Dimension WxDxH	Net	mm	1340x765x1635	1340x765x1635
	Packing	mm	1400x815x1850	1400x815x1850
Weight	Net	kg	330	330
	Gross	kg	345	345
Refrigerant	Type		R410A	
	Factory charge	kg	16.00	16.00
Maximum pressure		M Pa	4.2	4.2
Pipe size	Liquid side	mm	15.88	15.88
	Gas side	mm	28.6	28.6

Notes:

1. Cooling Capacity: Indoor temperature 27 DB / 19 WB; Outdoor temperature:35 DB / 24 WB;
2. Heating Capacity: Indoor temperature 20 DB; Outdoor temperature:7 DB / 6 WB;
3. Piping Length: Equivalent piping length:5m,level difference:0m;
4. Anechoic chamber conversion value, measured in test room. During actual operation. These values are normally somewhat higher as a result of ambient conditions ;
5. The above designs and specifications are subject to change of product improvement without prior notice.

2. Dimensions

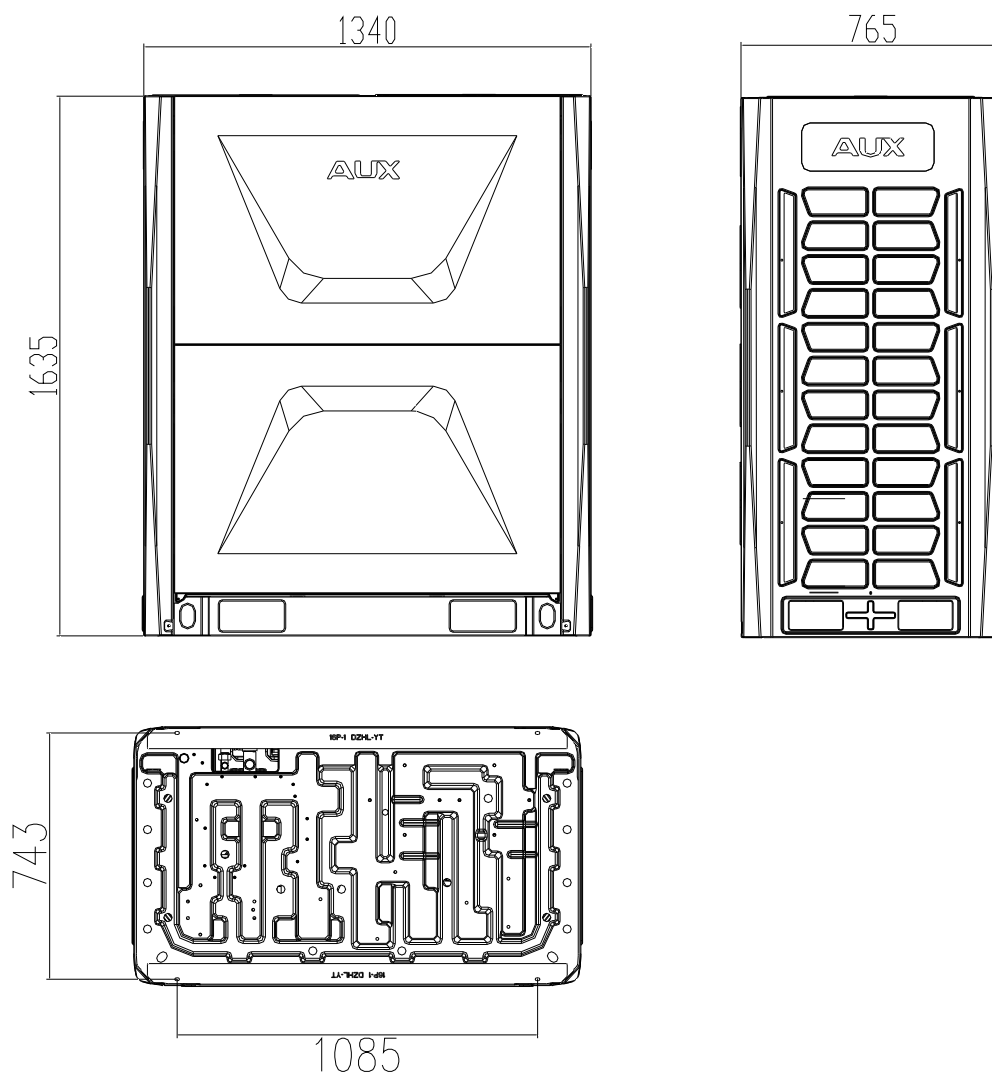
ARV-H250/SR1MV, ARV-H280/SR1MV, ARV-H330/SR1MV (Unit: mm)



Part 2

ARV-H400/SR1MV, ARV-H450/SR1MV

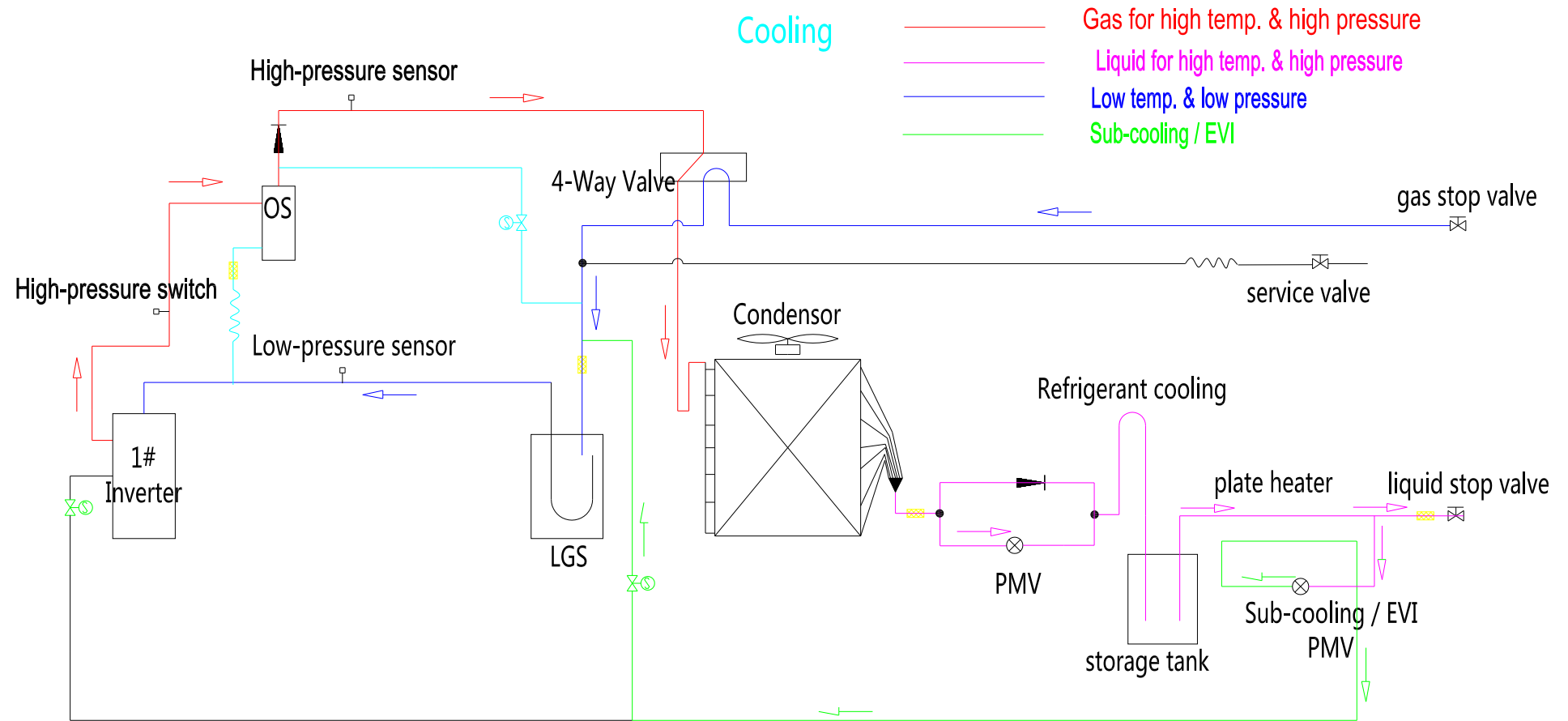
ARV-H500/SR1MV, ARV-H560/SR1MV, ARV-H610/SR1MV(Unit: mm)



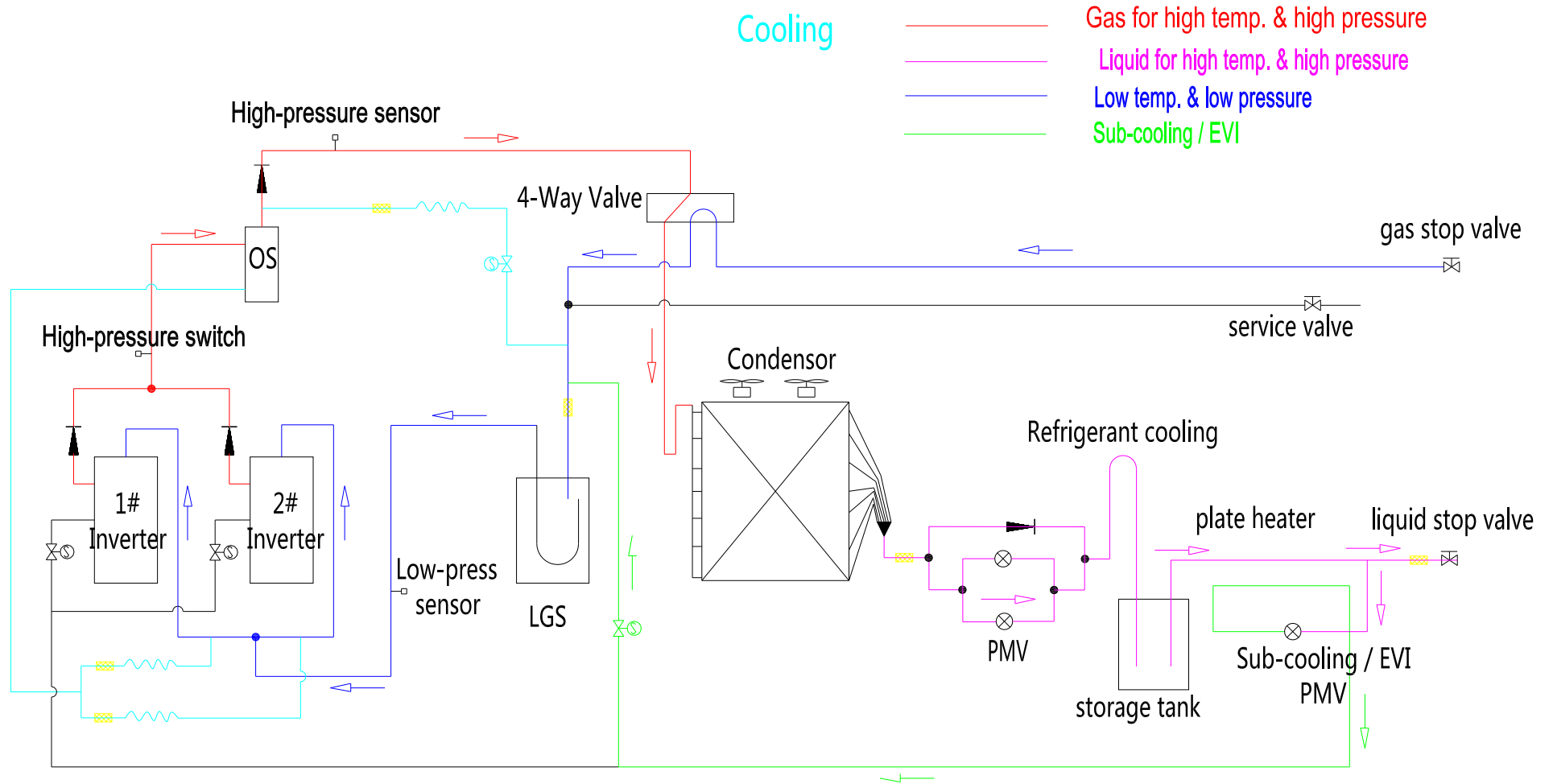
3. Piping diagrams

3.1 Cooling Operation

ARV-H250/SR1MV, ARV-H280/SR1MV, ARV-H330/SR1MV ARV-H400/SR1MV, ARV-H450/SR1MV,

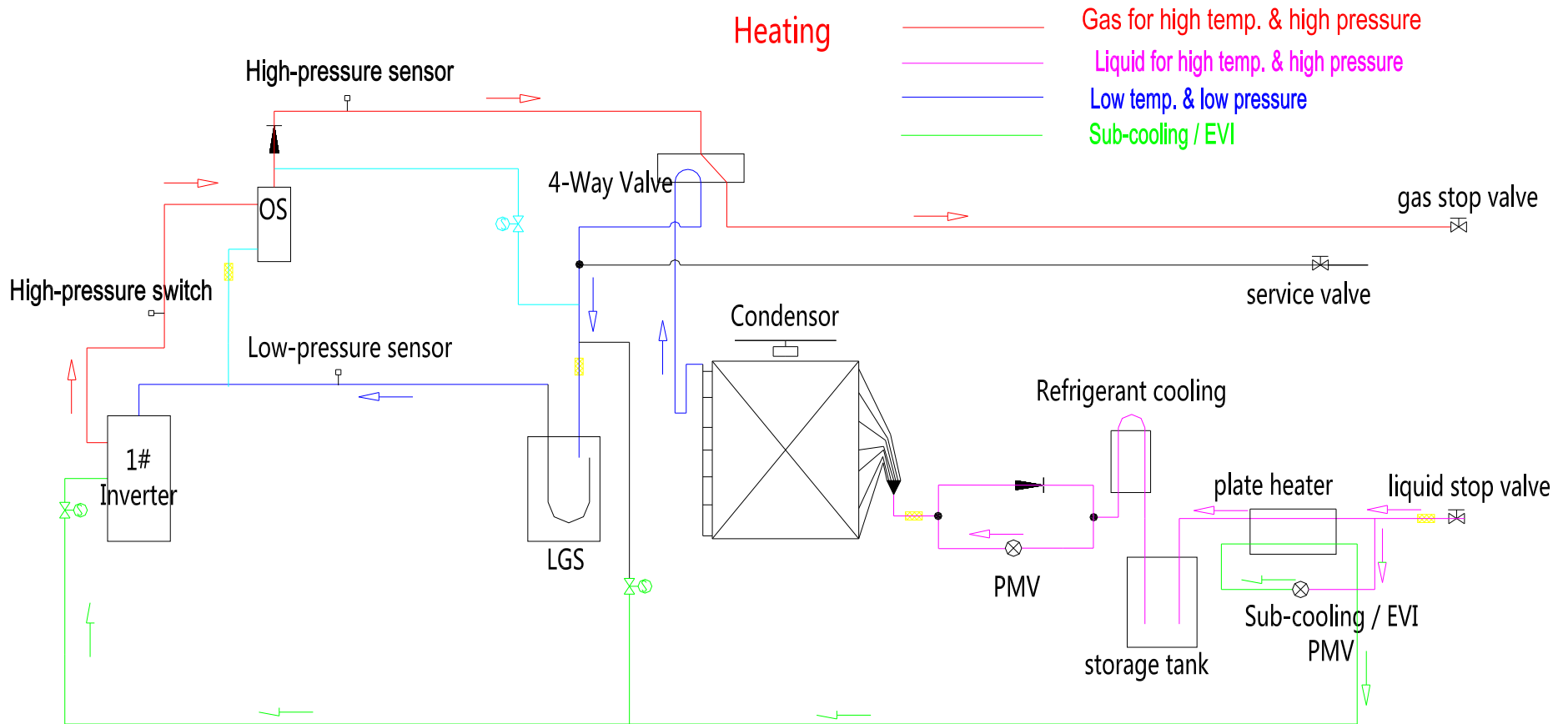


ARV-H500/SR1MV, ARV-H560/SR1MV, ARV-H610/SR1MV

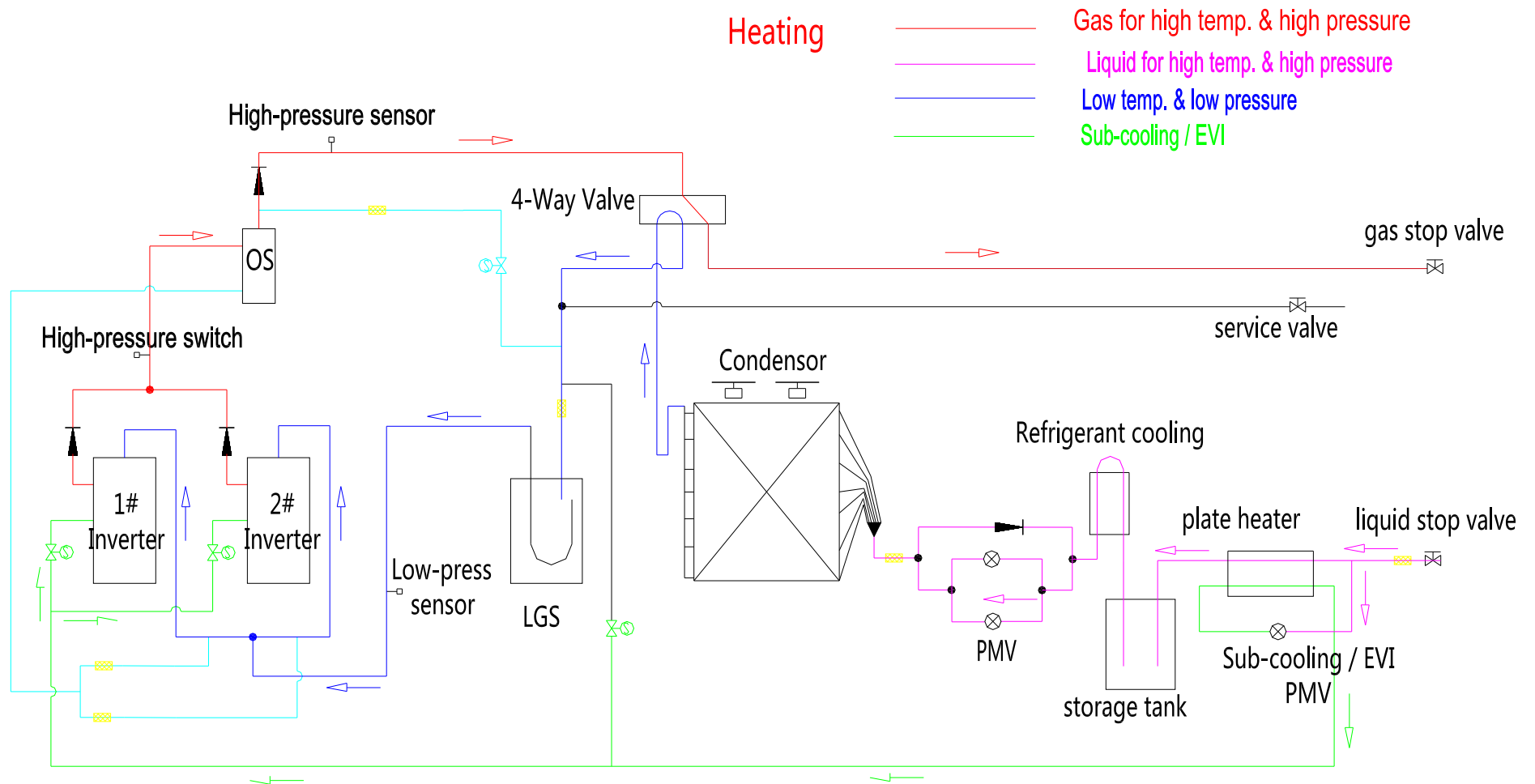


3.2 Heating Operation

ARV-H250/SR1MV, ARV-H280/SR1MV, ARV-H330/SR1MV ARV-H400/SR1MV, ARV-H450/SR1MV,



ARV-H500/SR1MV, ARV-H560/SR1MV, ARV-H610/SR1MV

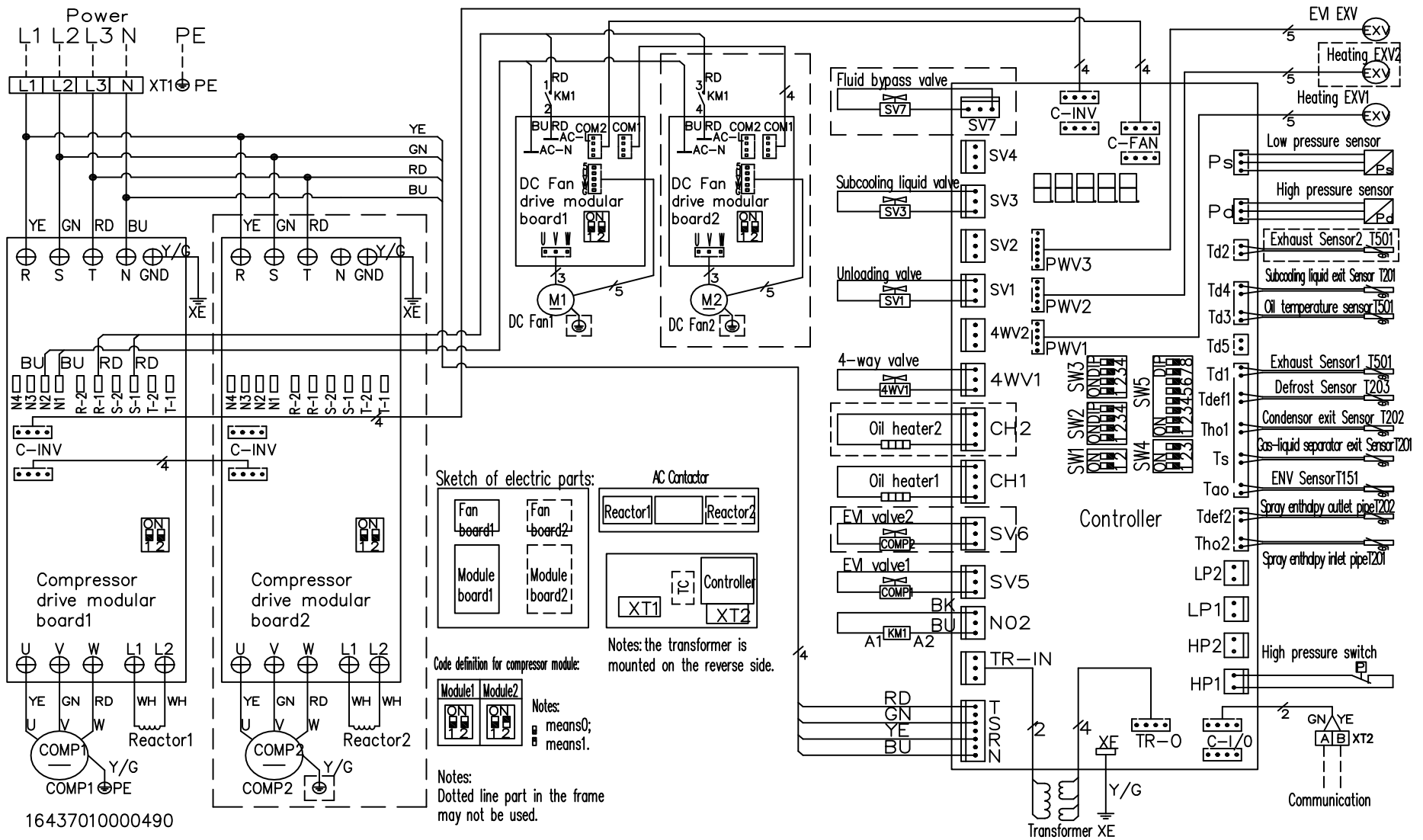


3.2 Component introduce

/	Component name	Main function
Inverter	DC inverter compressor	Driving module from unit electrical box will control the DC inverter compressor operation, compressor work frequency range is 20~120Hz.
/	High pressure sensor	Check system high pressure
/	4-way valve	When the heating/cooling mode switch, change the refrigerant flow direction.
/	Condenser	Heat exchange, made the high temperature, pressure refrigerant (gas state) to liquid in cooling mode and the low temperature, pressure refrigerant (gas, liquid complex state)
PMV	Heating mode EXV	Throttling in heating mode
Refrigerant cooling	Refrigerant PCB cooling	PCB is well cooled by refrigerant, ensure the system operate steadily even in tropical area.
/	Storage tank	
/	Plate heater	5.5 sub-cooling by special plate heat exchanger further reduce the refrigerant temperature flowing into the indoor unit.
/	Sub-cooling EXV	In order to make the maximum use of the sub-cooling heat exchange

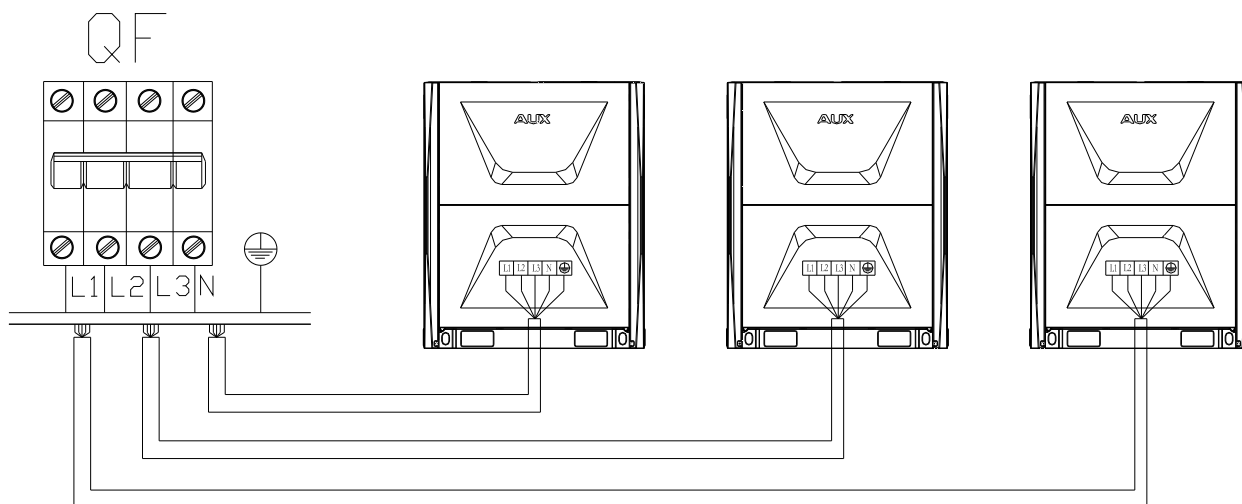
4. Electrical schematic diagram

ARV-H*/SR1MV, *(250~610)

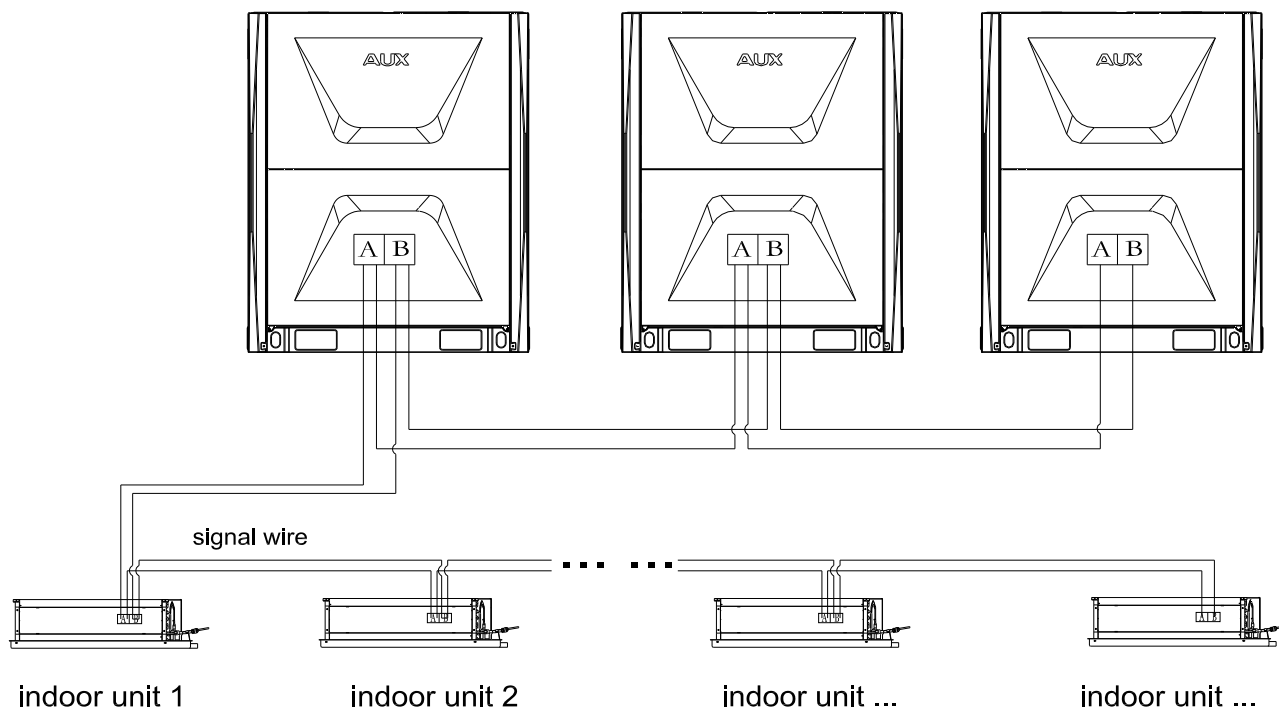


5. Wiring diagram

5.1 Power wiring diagram

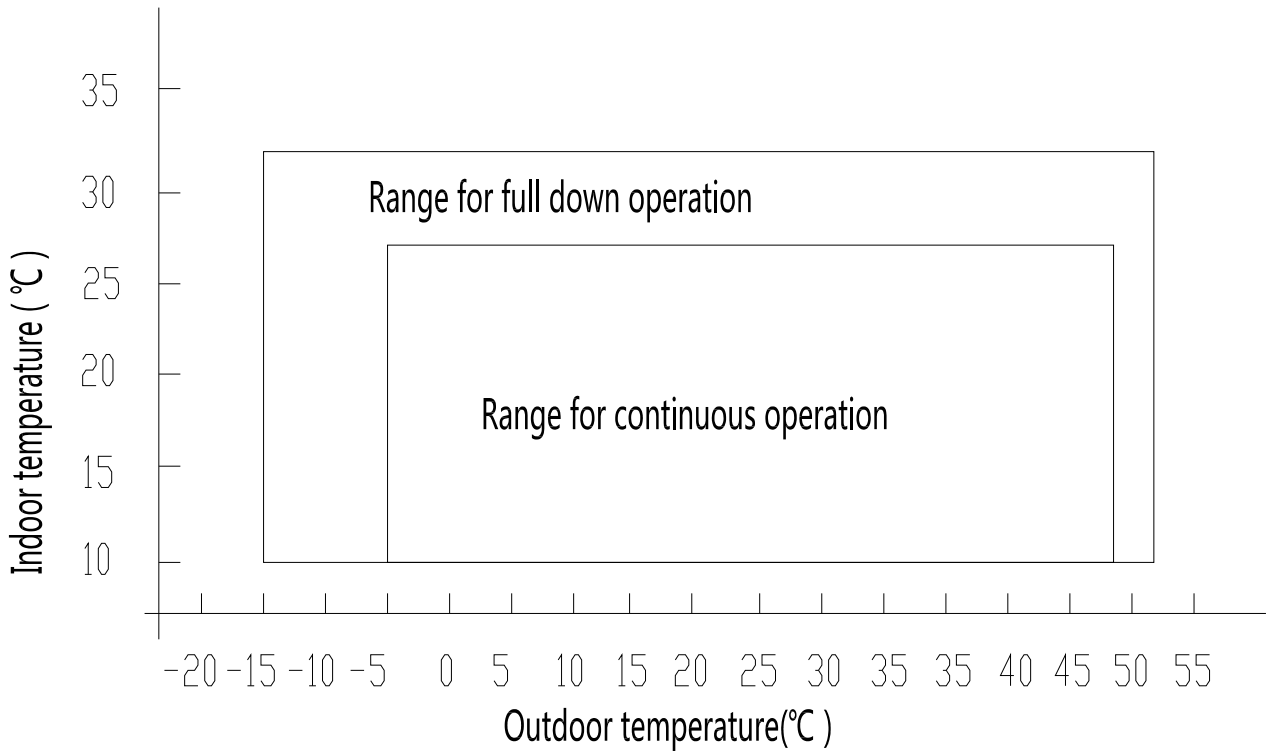


5.2 Communication wiring diagram

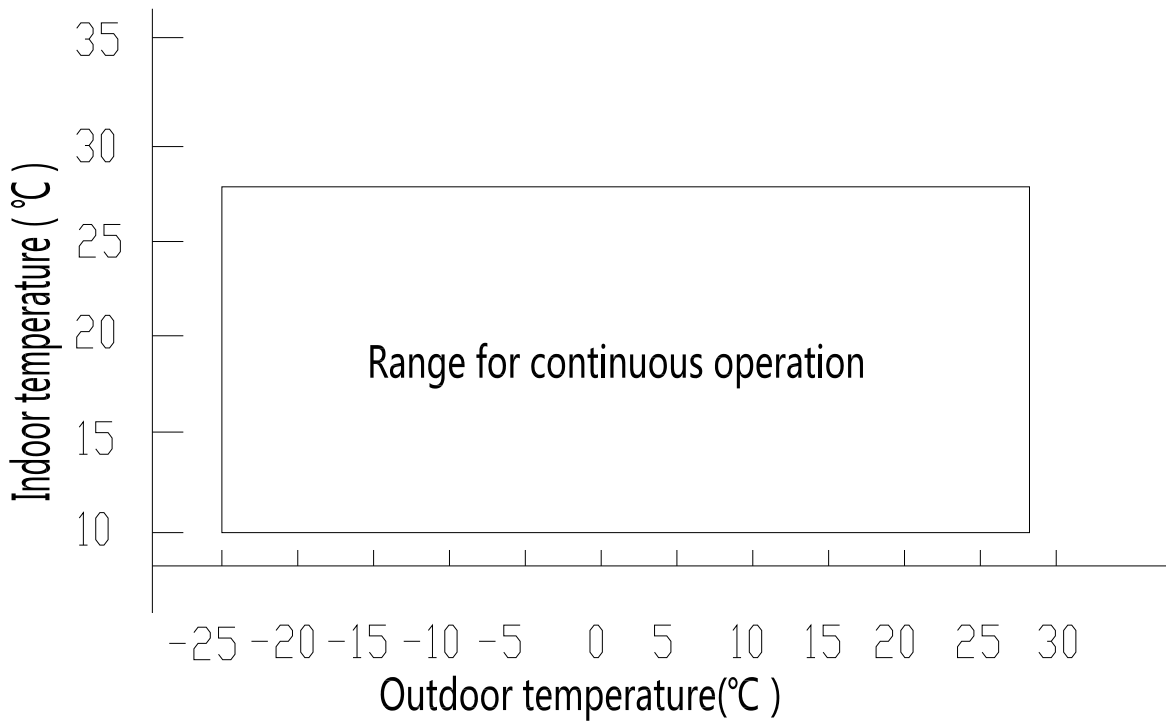


6. Operation limits

6.1 Cooling mode



6.2 Heating mode



7. Capacity table

7.1 Cooling Capacity table

7.1.1 ARV-H250/SR1MV

Combination (%)	Outdoor	Indoor temperature(°C)													
		DB:20.8,WB:14		DB:23.3,WB:16		DB:25.8,WB:18		DB:27,WB:19		DB:28.2,WB:20		DB:30.7,WB:22		DB:32,WB:24	
Capacity index	temp. (°CDB)	TC	PI	TC	PI	TC	PI	TC	PI	TC	PI	TC	PI	TC	PI
		kW	kW	kW	kW	kW	kW	kW	kW	kW	kW	kW	kW	kW	kW
130%	10.00	22.22	2.30	26.50	2.81	30.70	3.33	31.89	3.41	32.30	3.34	33.08	3.20	33.92	3.05
	12.00	22.22	2.33	26.50	2.86	30.70	3.40	31.44	3.38	31.89	3.32	32.62	3.18	33.46	3.12
	14.00	22.22	2.39	26.50	2.91	31.11	3.44	31.11	3.38	31.44	3.30	32.30	3.27	33.08	3.30
	16.00	22.22	2.42	26.50	2.97	30.65	3.81	30.65	3.40	30.98	3.41	31.84	3.45	32.62	3.48
	18.00	22.22	2.47	26.50	3.03	30.19	3.55	30.19	3.57	30.65	3.59	31.44	3.63	32.30	3.66
	19.00	22.22	2.52	26.50	3.23	29.81	3.73	29.81	3.75	30.19	3.77	30.98	3.80	31.84	3.84
	21.00	22.22	2.59	26.50	3.34	29.64	3.82	29.64	3.84	30.04	3.86	30.83	3.90	31.61	3.93
	23.00	22.22	2.78	26.50	3.58	29.18	3.99	29.18	4.01	29.59	4.03	30.37	4.07	31.16	4.11
	25.00	22.22	2.96	26.50	3.84	28.86	4.17	28.86	4.19	29.18	4.21	30.04	4.25	30.83	4.30
	27.00	22.22	3.17	26.50	4.11	28.40	4.36	28.40	4.36	28.75	4.38	29.59	4.43	30.37	4.48
	29.00	22.22	3.38	26.50	4.38	27.94	4.51	27.94	4.54	28.40	4.57	29.18	4.61	30.04	4.66
	31.00	22.22	3.61	26.38	4.64	27.56	4.70	27.56	4.70	27.94	4.74	28.75	4.80	29.59	4.85
	33.00	22.22	3.84	25.92	4.82	27.11	4.86	27.11	4.90	27.56	4.92	28.40	4.98	29.08	5.04
	35.00	22.22	4.10	25.49	4.99	26.78	5.05	26.78	5.08	27.11	5.10	27.94	5.17	28.75	5.22
	37.00	22.22	4.36	25.13	5.17	26.32	5.23	26.32	5.26	26.78	5.29	27.51	5.36	28.29	5.40
	39.00	22.22	4.64	24.70	5.35	25.92	5.40	25.92	5.44	26.32	5.47	27.11	5.53	27.94	5.60
	41.00	22.10	4.94	24.53	5.58	25.77	5.62	25.77	5.64	26.27	5.68	26.88	5.72	27.84	5.75
	43.00	21.94	5.26	24.30	5.76	25.54	5.81	25.64	5.84	26.09	5.90	26.65	5.97	27.66	6.01
46.00	21.21	5.58	23.61	5.90	24.86	5.98	24.98	6.02	25.41	6.06	26.04	6.10	27.01	6.14	
48.00	20.52	6.03	22.95	6.06	24.25	6.15	24.30	6.18	24.75	6.24	25.36	6.32	26.38	6.37	
50.00	19.80	6.12	22.22	6.20	23.61	6.32	23.69	6.40	24.02	6.45	24.75	6.52	25.72	6.55	
52.00	19.14	6.27	21.49	6.34	22.95	6.52	23.06	6.57	23.23	6.63	24.07	6.70	24.86	6.76	
120%	10.00	20.52	2.10	24.40	2.56	28.40	3.04	30.37	3.29	31.84	3.43	32.58	3.30	33.23	3.17
	12.00	20.52	2.14	24.40	2.60	28.40	3.09	30.37	3.35	31.38	3.41	32.12	3.28	32.80	3.15
	14.00	20.52	2.17	24.40	2.66	28.40	3.16	30.37	3.41	30.93	3.38	31.72	3.26	32.45	3.28
	16.00	20.52	2.22	24.40	2.71	28.40	3.22	30.19	3.44	30.55	3.40	31.28	3.43	31.99	3.45
	18.00	20.52	2.25	24.40	2.76	28.40	3.33	29.76	3.55	30.10	3.57	30.83	3.60	31.61	3.64
	19.00	20.52	2.30	24.40	2.87	28.40	3.58	29.36	3.73	29.76	3.74	30.47	3.78	31.16	3.81
	21.00	20.52	2.32	24.40	2.97	28.40	3.71	29.08	3.82	29.46	3.83	30.27	3.86	30.98	3.91
	23.00	20.52	2.48	24.40	3.19	28.40	3.97	28.75	3.99	29.08	4.01	29.81	4.04	30.55	4.08
	25.00	20.52	2.65	24.40	3.41	27.94	4.14	28.29	4.16	28.63	4.17	29.46	4.22	30.19	3.87
	27.00	20.52	2.83	24.40	3.64	27.56	4.31	27.94	4.34	28.29	4.36	29.03	4.40	29.76	4.44
	29.00	20.52	3.02	24.40	3.89	27.11	4.49	27.51	4.51	27.84	4.53	28.58	4.58	29.36	4.63
	31.00	20.52	3.22	24.40	4.15	26.78	4.67	27.11	4.69	27.51	4.71	28.17	5.15	28.90	4.81
	33.00	20.52	3.43	24.40	4.43	26.32	4.84	26.65	4.87	27.06	4.89	27.74	4.94	28.45	4.99

AUX ARV OUTDOOR UNIT – ARV 6 ALL DC INVERTER T1 50&60HZ

	35.00	20.52	3.65	24.40	4.72	25.87	5.02	26.22	5.04	26.65	5.07	27.39	5.12	28.12	5.18
	37.00	20.52	3.89	24.40	5.03	25.49	5.20	25.87	5.23	26.22	5.26	26.93	5.31	27.66	5.37
	39.00	20.52	4.13	24.30	5.31	25.03	5.37	25.41	5.40	25.77	5.43	26.55	5.49	27.28	5.55
	41.00	20.43	4.42	24.07	5.58	24.86	5.58	25.21	5.62	25.54	5.66	26.15	5.68	27.16	5.71
	43.00	20.25	4.65	23.89	5.77	24.75	5.81	24.98	5.84	25.41	5.87	25.92	5.89	27.01	5.94
	46.00	19.46	4.92	23.18	5.99	23.97	6.06	24.30	6.10	24.75	6.12	25.31	6.17	26.27	6.22
	48.00	18.73	5.15	22.50	6.19	23.23	6.32	23.61	6.35	24.02	6.40	24.58	6.43	25.49	6.48
	50.00	18.00	5.38	21.71	6.45	22.50	6.54	22.88	6.58	23.34	6.63	23.84	6.67	24.80	6.71
	52.00	17.03	5.61	20.93	6.67	21.82	6.76	22.22	6.80	22.68	6.85	23.18	6.91	24.20	6.94
110%	10.00	18.78	1.90	22.45	2.31	26.04	2.75	27.84	2.97	29.64	3.20	31.89	3.40	32.62	3.28
	12.00	18.78	1.94	22.45	2.36	26.04	2.81	27.84	3.03	29.64	3.26	31.56	3.38	32.17	3.26
	14.00	18.78	1.97	22.45	2.40	26.04	2.86	27.84	3.09	29.64	3.32	31.11	3.38	31.84	3.25
	16.00	18.78	2.01	22.45	2.45	26.04	2.91	27.84	3.15	29.64	3.38	30.70	3.40	31.38	3.44
	18.00	18.78	2.05	22.45	2.49	26.04	2.97	27.84	3.23	29.64	3.55	30.27	3.57	30.98	3.61
	19.00	18.78	2.09	22.45	2.55	26.04	3.15	27.84	3.48	29.18	3.72	29.92	3.75	30.55	3.78
	21.00	18.78	2.11	22.45	2.62	26.04	3.26	27.84	3.60	29.03	3.81	29.64	3.84	30.37	3.87
	23.00	18.78	2.21	22.45	2.81	26.04	3.49	27.84	3.86	28.58	3.98	29.31	4.02	29.92	4.05
	25.00	18.78	2.35	22.45	3.01	26.04	3.74	27.84	4.14	28.17	4.15	28.86	4.19	29.59	4.23
	27.00	18.78	2.51	22.45	3.22	26.04	4.00	27.39	4.31	27.74	4.32	28.45	4.36	29.08	4.41
	29.00	18.78	2.67	22.45	3.43	26.04	4.28	27.06	4.49	27.39	4.51	28.02	4.55	28.75	4.59
	31.00	18.78	2.85	22.45	3.65	26.04	4.56	26.55	4.66	26.93	4.68	27.66	4.72	28.29	4.77
	33.00	18.78	3.03	22.45	3.90	25.87	4.81	26.22	4.83	26.55	4.86	27.24	4.90	27.94	4.95
	35.00	18.78	3.23	22.45	4.15	25.49	4.99	25.77	5.01	26.09	5.04	26.78	5.09	27.51	5.13
	37.00	18.78	3.44	22.45	4.42	25.03	5.17	25.41	5.19	25.64	5.21	26.38	5.27	27.06	5.31
	39.00	18.78	3.65	22.45	4.71	24.58	5.34	24.98	5.37	25.31	5.39	25.92	5.44	26.65	5.50
100%	41.00	18.68	3.83	22.22	4.95	24.47	5.47	24.86	5.56	25.08	5.58	25.72	5.62	26.43	5.68
	43.00	18.55	4.04	22.04	5.17	24.25	5.63	24.70	5.74	24.90	5.79	25.59	5.84	26.15	5.90
	46.00	17.89	4.25	21.36	5.40	23.61	5.78	23.97	5.93	24.25	6.00	24.90	6.07	25.49	6.14
	48.00	17.16	4.46	20.66	5.68	22.88	5.94	23.18	6.15	23.61	6.23	24.25	6.29	24.80	6.35
	50.00	16.43	4.68	19.84	5.97	22.22	6.15	22.50	6.31	22.95	6.41	23.61	6.47	24.20	6.52
	52.00	15.74	4.88	19.14	6.23	21.44	6.35	21.87	6.49	22.17	6.55	22.83	6.63	23.38	6.73
	10.00	17.11	1.72	20.35	2.09	23.69	2.47	25.31	2.66	26.93	2.88	30.27	3.26	31.99	3.38
	12.00	17.11	1.74	20.35	2.12	23.69	2.50	25.31	2.70	26.93	2.93	30.27	3.32	31.56	3.36
	14.00	17.11	1.77	20.35	2.15	23.69	2.54	25.31	2.75	26.93	2.99	30.27	3.37	31.16	3.33
	16.00	17.11	1.81	20.35	2.20	23.69	2.60	25.31	2.81	26.93	3.06	30.14	3.45	30.70	3.41
	18.00	17.11	1.85	20.35	2.25	23.69	2.65	25.31	2.86	26.93	3.11	29.76	3.51	30.37	3.57
	19.00	17.11	1.88	20.35	2.28	23.69	2.74	25.31	3.02	26.93	3.32	29.31	3.70	29.92	3.75
	21.00	17.11	1.90	20.35	2.30	23.69	2.83	25.31	3.12	26.93	3.42	29.08	3.82	29.76	3.86
	23.00	17.11	1.94	20.35	2.46	23.69	3.05	25.31	3.35	26.93	3.69	28.75	4.05	29.31	4.08
	25.00	17.11	2.07	20.35	2.62	23.69	3.24	25.31	3.57	26.93	3.94	28.29	4.19	28.90	4.23
	27.00	17.11	2.22	20.35	2.80	23.69	3.48	25.31	3.83	26.93	4.23	27.84	4.34	28.45	4.38
29.00	17.11	2.34	20.35	2.99	23.69	3.72	25.31	4.09	26.93	4.48	27.44	4.55	28.07	4.59	
31.00	17.11	2.49	20.35	3.19	23.69	3.96	25.31	4.41	26.93	4.66	26.83	4.74	27.66	4.78	
33.00	17.11	2.65	20.35	3.40	23.69	4.23	25.31	4.77	26.93	4.83	26.73	4.87	27.28	4.92	
35.00	17.11	2.82	20.35	3.61	23.69	4.65	25.20	5.31	26.04	5.40	26.22	5.42	26.83	5.50	

AUX ARV OUTDOOR UNIT – ARV 6 ALL DC INVERTER T1 50&60HZ

	37.00	17.11	3.01	20.35	3.85	23.69	4.80	25.20	5.38	26.04	5.42	25.81	5.49	26.43	5.55
	39.00	17.11	3.20	20.35	4.10	23.69	5.11	25.20	5.38	26.04	5.50	25.49	5.59	25.81	5.64
	41.00	16.98	3.38	20.25	4.28	23.46	5.34	25.08	5.47	26.04	5.57	25.31	5.60	25.64	5.64
	43.00	16.71	3.58	20.02	4.52	23.23	5.56	24.80	5.64	25.54	5.75	25.13	5.76	25.54	5.81
	46.00	16.02	3.79	19.29	4.78	22.50	5.84	23.97	5.88	24.86	5.94	24.53	5.97	24.86	6.01
	48.00	15.29	3.97	18.63	5.00	21.77	6.10	23.23	6.11	24.25	6.12	23.89	6.17	24.25	6.20
	50.00	14.63	4.17	18.00	5.22	21.03	6.35	22.50	6.39	23.61	6.43	23.23	6.47	23.61	6.52
	52.00	13.77	4.38	17.16	5.43	20.35	6.62	21.77	6.66	22.88	6.69	22.50	6.70	23.01	6.78
90%	10.00	15.36	1.50	18.28	1.80	21.31	2.11	22.78	2.37	24.25	2.53	27.24	2.89	30.19	3.28
	12.00	15.36	1.52	18.28	1.82	21.31	2.14	22.78	2.40	24.25	2.57	27.24	2.95	30.19	3.33
	14.00	15.36	1.54	18.28	1.86	21.31	2.17	22.78	2.44	24.25	2.62	27.24	3.00	30.19	3.38
	16.00	15.36	1.58	18.28	1.90	21.31	2.22	22.78	2.50	24.25	2.68	27.24	3.06	30.10	3.44
	18.00	15.36	1.61	18.28	1.94	21.31	2.26	22.78	2.54	24.25	2.73	27.24	3.14	29.81	3.57
	19.00	15.36	1.64	18.28	1.97	21.31	2.33	22.78	2.60	24.25	2.84	27.24	3.37	29.31	3.72
	21.00	15.36	1.66	18.28	1.99	21.31	2.42	22.78	2.68	24.25	2.95	27.24	3.48	29.08	3.80
	23.00	15.36	1.70	18.28	2.12	21.31	2.60	22.78	2.89	24.25	3.15	27.24	3.74	28.63	4.00
	25.00	15.36	1.81	18.28	2.26	21.31	2.77	22.78	3.08	24.25	3.37	27.24	4.00	28.29	4.16
	27.00	15.36	1.93	18.28	2.41	21.31	2.97	22.78	3.29	24.25	3.61	27.24	4.27	27.84	4.35
	29.00	15.36	2.05	18.28	2.58	21.31	3.18	22.78	3.51	24.25	3.85	26.93	4.48	27.51	4.51
	31.00	15.36	2.18	18.28	2.75	21.31	3.38	22.78	3.75	24.25	4.11	26.50	4.64	27.06	4.74
	33.00	15.36	2.31	18.28	2.93	21.31	3.61	22.78	3.99	24.25	4.37	26.09	4.86	26.65	4.87
	35.00	15.36	2.46	18.28	3.12	21.31	3.85	22.78	4.25	24.25	4.68	25.64	5.00	26.22	5.05
	37.00	15.36	2.62	18.28	3.32	21.31	4.10	24.86	4.41	24.25	5.00	25.21	5.19	25.87	5.17
	39.00	15.36	2.79	18.28	3.53	21.31	4.36	24.53	4.55	24.25	5.31	24.86	5.37	25.41	5.36
	41.00	15.24	2.95	18.17	3.69	21.08	4.51	24.47	4.70	24.07	5.55	24.63	5.58	25.31	5.60
	43.00	15.01	3.12	18.00	3.86	20.98	4.67	24.30	4.87	23.69	5.70	24.30	5.75	25.13	5.76
	46.00	14.28	3.29	17.89	4.02	20.30	4.84	23.61	5.00	23.06	5.85	23.61	5.89	24.47	5.90
	48.00	13.62	3.46	17.16	4.19	19.69	5.02	22.95	5.17	22.32	6.02	23.11	6.07	23.69	6.08
50.00	12.93	3.64	16.37	4.35	18.96	5.21	22.27	5.37	21.71	6.20	22.50	6.24	23.06	6.28	
52.00	12.20	3.83	15.74	4.53	18.17	5.37	21.49	5.55	20.93	6.36	21.87	6.40	22.32	6.44	
80%	10.00	13.67	1.36	16.25	1.63	18.96	1.92	20.25	2.07	21.54	2.22	24.25	2.53	26.83	2.94
	12.00	13.67	1.38	16.25	1.66	18.96	1.95	20.25	2.11	21.54	2.25	24.25	2.57	26.83	2.91
	14.00	13.67	1.41	16.25	1.69	18.96	1.99	20.25	2.14	21.54	2.30	24.25	2.62	26.83	2.98
	16.00	13.67	1.43	16.25	1.72	18.96	2.03	20.25	2.18	21.54	2.33	24.25	2.67	26.83	3.09
	18.00	13.67	1.46	16.25	1.75	18.96	2.07	20.25	2.22	21.54	2.37	24.25	2.74	26.83	3.30
	19.00	13.67	1.49	16.25	1.78	18.96	2.11	20.25	2.27	21.54	2.43	24.25	2.83	26.83	3.42
	21.00	13.67	1.49	16.25	1.80	18.96	2.12	20.25	2.30	21.54	2.48	24.25	2.94	26.83	3.66
	23.00	13.67	1.52	16.25	1.84	18.96	2.22	20.25	2.44	21.54	2.66	24.25	3.14	26.83	3.92
	25.00	13.67	1.57	16.25	1.95	18.96	2.39	20.25	2.61	21.54	2.84	24.25	3.36	26.83	4.17
	27.00	13.67	1.67	16.25	2.08	18.96	2.54	20.25	2.78	21.54	3.05	24.25	3.59	26.83	4.32
	29.00	13.67	1.78	16.25	2.22	18.96	2.70	20.25	2.96	21.54	3.24	24.25	3.83	26.83	4.48
	31.00	13.67	1.88	16.25	2.36	18.96	2.88	20.25	3.16	21.54	3.46	24.25	4.09	26.38	4.65
	33.00	13.67	2.01	16.25	2.62	18.96	3.06	20.25	3.36	21.54	3.69	24.25	4.36	26.04	4.81
	35.00	13.67	2.12	16.25	2.69	18.96	3.26	20.25	3.59	21.54	3.92	24.25	4.66	25.59	4.99
	37.00	13.67	2.25	16.25	2.83	18.96	3.47	19.92	3.82	21.54	4.17	24.25	4.96	25.21	5.17

AUX ARV OUTDOOR UNIT – ARV 6 ALL DC INVERTER T1 50&60HZ

	39.00	13.67	2.39	16.25	3.00	18.96	3.69	19.64	4.07	21.54	4.45	24.25	5.28	24.75	5.37
	41.00	13.49	2.56	16.10	3.17	18.83	3.85	19.41	4.21	21.36	4.60	24.07	5.43	24.58	5.56
	43.00	13.34	2.70	15.79	3.33	18.78	4.01	19.18	4.39	21.16	4.82	23.84	5.60	24.47	5.76
	46.00	12.60	2.86	15.19	3.50	18.05	4.19	18.55	4.57	20.48	4.98	23.18	5.76	23.69	5.93
	48.00	11.92	3.05	14.40	3.66	17.44	4.32	17.72	4.70	19.80	5.19	22.50	5.96	23.06	6.10
	50.00	11.24	3.24	13.67	3.84	16.75	4.48	16.98	4.87	19.14	5.00	21.87	6.13	22.32	6.24
	52.00	10.53	3.41	12.99	3.97	15.36	4.66	16.37	5.00	18.32	5.17	21.08	6.34	21.67	6.44
70%	10.00	11.97	1.20	14.23	1.42	16.60	1.66	17.72	1.78	18.83	1.91	21.21	2.17	23.52	2.44
	12.00	11.97	1.21	14.23	1.44	16.60	1.69	17.72	1.82	18.83	1.94	21.21	2.22	23.52	2.49
	14.00	11.97	1.23	14.23	1.47	16.60	1.72	17.72	1.85	18.83	1.98	21.21	2.25	23.52	2.54
	16.00	11.97	1.25	14.23	1.49	16.60	1.75	17.72	1.88	18.83	2.02	21.21	2.30	23.52	2.58
	18.00	11.97	1.28	14.23	1.52	16.60	1.78	17.72	1.92	18.83	2.05	21.21	2.34	23.52	2.64
	19.00	11.97	1.29	14.23	1.55	16.60	1.82	17.72	1.95	18.83	2.10	21.21	2.39	23.52	2.71
	21.00	11.97	1.31	14.23	1.56	16.60	1.83	17.72	1.97	18.83	2.12	21.21	2.41	23.52	2.81
	23.00	11.97	1.33	14.23	1.59	16.60	1.87	17.72	2.04	18.83	2.22	21.21	2.59	23.52	3.01
	25.00	11.97	1.36	14.23	1.66	16.60	1.99	17.72	2.18	18.83	2.37	21.21	2.78	23.52	3.22
	27.00	11.97	1.43	14.23	1.76	16.60	2.12	17.72	2.32	18.83	2.53	21.21	2.96	23.52	3.82
	29.00	11.97	1.52	14.23	1.87	16.60	2.26	17.72	2.47	18.83	2.69	21.21	3.16	23.52	3.67
	31.00	11.97	1.61	14.23	1.99	16.60	2.41	17.72	2.63	18.83	2.86	21.21	3.36	23.52	3.91
	33.00	11.97	1.71	14.23	2.12	16.60	2.56	17.72	2.80	18.83	3.05	21.21	3.59	23.52	4.17
	35.00	11.97	1.81	14.23	2.26	16.60	2.72	17.72	2.98	18.83	3.25	21.21	3.82	23.52	4.45
	37.00	11.97	1.91	14.23	2.41	16.60	2.89	17.72	3.17	18.83	3.45	21.21	4.07	23.52	4.74
	39.00	11.97	2.03	14.23	2.56	16.60	3.06	17.72	3.36	18.83	3.67	21.21	4.32	23.52	5.04
	41.00	11.82	2.16	14.08	2.70	16.43	3.24	17.54	3.55	18.68	3.85	21.08	4.48	23.34	5.21
	43.00	11.59	2.29	13.85	2.86	16.30	3.41	17.44	3.71	18.50	4.03	20.93	4.61	23.11	5.38
	46.00	10.91	2.44	13.16	3.06	15.64	3.58	16.60	3.85	17.77	4.22	20.30	4.78	22.50	5.61
	48.00	10.30	2.58	12.43	3.24	14.86	3.75	15.92	4.01	17.16	4.43	19.69	4.95	21.77	5.81
50.00	9.62	2.70	11.82	3.41	14.17	3.90	15.24	4.14	16.48	4.63	18.96	5.16	21.08	6.06	
52.00	9.01	2.87	10.96	3.59	13.49	4.07	14.63	4.28	15.74	4.83	18.22	5.33	20.48	6.30	
60%	10.00	10.22	1.04	12.20	1.22	14.23	1.41	15.19	1.51	16.15	1.62	18.17	1.83	20.15	2.05
	12.00	10.22	1.06	12.20	1.24	14.23	1.44	15.19	1.54	16.15	1.65	18.17	1.87	20.15	2.09
	14.00	10.22	1.07	12.20	1.26	14.23	1.46	15.19	1.57	16.15	1.68	18.17	1.90	20.15	2.12
	16.00	10.22	1.09	12.20	1.28	14.23	1.49	15.19	1.59	16.15	1.70	18.17	1.93	20.15	2.17
	18.00	10.22	1.10	12.20	1.31	14.23	1.51	15.19	1.62	16.15	1.74	18.17	1.97	20.15	2.21
	19.00	10.22	1.12	12.20	1.33	14.23	1.54	15.19	1.66	16.15	1.77	18.17	2.01	20.15	2.25
	21.00	10.22	1.13	12.20	1.34	14.23	1.56	15.19	1.67	16.15	1.78	18.17	2.03	20.15	2.28
	23.00	10.22	1.14	12.20	1.36	14.23	1.58	15.19	1.70	16.15	1.82	18.17	2.11	20.15	2.42
	25.00	10.22	1.17	12.20	1.39	14.23	1.65	15.19	1.78	16.15	1.93	18.17	2.25	20.15	2.58
	27.00	10.22	1.21	12.20	1.47	14.23	1.75	15.19	1.91	16.15	2.06	18.17	2.39	20.15	2.76
	29.00	10.22	1.28	12.20	1.56	14.23	1.87	15.19	2.03	16.15	2.19	18.17	2.56	20.15	2.95
	31.00	10.22	1.36	12.20	1.66	14.23	1.98	15.19	2.15	16.15	2.33	18.17	2.72	20.15	3.13
	33.00	10.22	1.43	12.20	1.75	14.23	2.10	15.19	2.28	16.15	2.48	18.17	2.89	20.15	3.34
	35.00	10.22	1.52	12.20	1.86	14.23	2.22	15.19	2.43	16.15	2.64	18.17	3.08	20.15	3.55
	37.00	10.22	1.61	12.20	1.97	14.23	2.36	15.19	2.57	16.15	2.80	18.17	3.27	20.15	3.78
	39.00	10.22	1.70	12.20	2.08	14.23	2.50	15.19	2.73	16.15	2.97	18.17	3.48	20.15	4.02

AUX ARV OUTDOOR UNIT – ARV 6 ALL DC INVERTER T1 50&60HZ

	41.00	10.13	1.82	12.10	2.20	14.08	2.66	14.86	2.91	16.02	3.09	18.00	3.65	19.92	4.17
	43.00	9.90	1.93	11.97	2.32	13.85	2.83	14.63	3.06	15.79	3.25	17.77	3.83	19.69	4.36
	46.00	9.21	2.08	11.24	2.48	13.11	3.03	13.85	3.24	15.19	3.41	17.11	4.02	18.96	4.52
	48.00	8.55	2.22	10.53	2.61	12.43	3.20	13.16	3.41	14.40	3.54	16.75	4.19	18.22	4.69
	50.00	7.87	2.36	9.85	2.74	11.82	3.41	12.55	3.58	13.67	3.70	16.10	4.38	17.54	4.86
	52.00	7.09	2.50	9.16	2.87	11.08	3.55	11.87	3.75	12.99	3.86	15.36	4.56	16.88	4.98
50%	10.00	8.55	0.90	10.17	1.04	11.87	1.19	12.65	1.27	13.44	1.34	15.13	1.51	16.80	1.68
	12.00	8.55	0.91	10.17	1.06	11.87	1.20	12.65	1.28	13.44	1.37	15.13	1.54	16.80	1.71
	14.00	8.55	0.92	10.17	1.07	11.87	1.22	12.65	1.31	13.44	1.39	15.13	1.56	16.80	1.75
	16.00	8.55	0.94	10.17	1.08	11.87	1.24	12.65	1.33	13.44	1.41	15.13	1.59	16.80	1.77
	18.00	8.55	0.95	10.17	1.10	11.87	1.26	12.65	1.35	13.44	1.43	15.13	1.62	16.80	1.80
	19.00	8.55	0.96	10.17	1.11	11.87	1.28	12.65	1.37	13.44	1.46	15.13	1.65	16.80	1.84
	21.00	8.55	0.97	10.17	1.13	11.87	1.29	12.65	1.38	13.44	1.48	15.13	1.66	16.80	1.86
	23.00	8.55	0.98	10.17	1.14	11.87	1.31	12.65	1.41	13.44	1.50	15.13	1.69	16.80	1.90
	25.00	8.55	0.99	10.17	1.16	11.87	1.34	12.65	1.43	13.44	1.55	15.13	1.78	16.80	2.03
	27.00	8.55	1.02	10.17	1.20	11.87	1.41	12.65	1.53	13.44	1.65	15.13	1.89	16.80	2.16
	29.00	8.55	1.07	10.17	1.28	11.87	1.50	12.65	1.62	13.44	1.75	15.13	2.02	16.80	2.30
	31.00	8.55	1.13	10.17	1.35	11.87	1.60	12.65	1.73	13.44	1.86	15.13	2.14	16.80	2.45
	33.00	8.55	1.20	10.17	1.43	11.87	1.69	12.65	1.83	13.44	1.97	15.13	2.28	16.80	2.60
	35.00	8.55	1.26	10.17	1.51	11.87	1.78	12.65	1.93	13.44	2.09	15.13	2.41	16.80	2.76
	37.00	8.55	1.33	10.17	1.59	11.87	1.89	12.65	2.05	13.44	2.22	15.13	2.56	16.80	2.94
	39.00	8.55	1.40	10.17	1.68	11.87	2.00	12.65	2.17	13.44	2.35	15.13	2.72	16.80	3.12
	41.00	8.33	1.49	10.02	1.83	11.64	2.14	12.60	2.29	13.34	2.53	15.01	2.87	16.71	3.27
	43.00	8.10	1.54	9.79	1.93	11.46	2.26	12.43	2.44	13.11	2.70	14.73	3.02	16.60	3.41
	46.00	7.42	1.62	9.11	2.09	10.81	2.36	11.82	2.57	12.43	2.88	14.08	3.17	15.92	3.54
	48.00	6.81	1.75	8.51	2.24	10.13	2.48	11.14	2.69	11.82	3.06	13.39	3.34	15.24	3.72
50.00	6.18	1.88	7.87	2.39	9.44	2.61	9.90	2.81	11.08	3.25	12.60	3.47	14.63	3.89	
52.00	5.67	1.93	7.19	2.55	8.66	2.71	9.16	2.95	10.40	3.47	11.82	3.64	13.77	4.05	

7.1.2 ARV-H280/SR1MV

Combination (%)	Outdoor	Indoor temperature(°C)													
		DB:20.8,WB:14		DB:23.3,WB:16		DB:25.8,WB:18		DB:27,WB:19		DB:28.2,WB:20		DB:30.7,WB:22		DB:32,WB:24	
Capacity index	temp. (°CDB)	TC	PI	TC	PI	TC	PI	TC	PI	TC	PI	TC	PI	TC	PI
		kW	kW	kW	kW	kW	kW	kW	kW	kW	kW	kW	kW	kW	kW
130%	10	24.69	3.00	29.44	3.66	34.11	4.35	35.43	4.45	35.89	4.36	36.76	4.18	37.68	3.98
	12	24.69	3.05	29.44	3.73	34.11	4.44	34.93	4.42	35.43	4.33	36.25	4.14	37.18	4.08
	14	24.69	3.11	29.44	3.80	34.57	4.49	34.57	4.41	34.93	4.31	35.89	4.27	36.76	4.31
	16	24.69	3.16	29.44	3.88	34.06	4.98	34.06	4.44	34.42	4.46	35.38	4.50	36.25	4.55
	18	24.69	3.22	29.44	3.96	33.55	4.64	33.55	4.66	34.06	4.69	34.93	4.74	35.89	4.78
	19	24.69	3.29	29.44	4.21	33.13	4.87	33.13	4.90	33.55	4.93	34.42	4.97	35.38	5.02
	21	24.69	3.38	29.44	4.36	32.93	4.99	32.93	5.01	33.38	5.04	34.25	5.09	35.13	5.13
	23	24.69	3.63	29.44	4.68	32.43	5.21	32.43	5.24	32.88	5.26	33.75	5.31	34.62	5.37
	25	24.69	3.87	29.44	5.01	32.06	5.44	32.06	5.47	32.43	5.50	33.38	5.55	34.25	5.61

AUX ARV OUTDOOR UNIT – ARV 6 ALL DC INVERTER T1 50&60HZ

	27	24.69	4.13	29.44	5.36	31.56	5.69	31.56	5.70	31.95	5.72	32.88	5.79	33.75	5.85
	29	24.69	4.42	29.44	5.72	31.05	5.89	31.05	5.93	31.56	5.96	32.43	6.02	33.38	6.09
	31	24.69	4.71	29.31	6.06	30.63	6.13	30.63	6.13	31.05	6.19	31.95	6.26	32.88	6.34
	33	24.69	5.02	28.80	6.29	30.12	6.35	30.12	6.39	30.63	6.43	31.56	6.50	32.32	6.58
	35	24.69	5.35	28.32	6.52	29.75	6.60	29.75	6.63	30.12	6.66	31.05	6.74	31.95	6.82
	37	24.69	5.69	27.93	6.75	29.25	6.83	29.25	6.86	29.75	6.91	30.57	6.99	31.44	7.06
	39	24.69	6.06	27.45	6.98	28.80	7.06	28.80	7.10	29.25	7.15	30.12	7.22	31.05	7.31
	41	24.55	6.45	27.25	7.28	28.63	7.34	28.63	7.36	29.19	7.41	29.87	7.47	30.94	7.50
	43	24.38	6.86	27.00	7.52	28.38	7.59	28.49	7.63	28.99	7.70	29.61	7.79	30.74	7.84
	46	23.57	7.28	26.24	7.70	27.62	7.81	27.76	7.86	28.23	7.91	28.94	7.96	30.01	8.02
	48	22.81	7.87	25.51	7.91	26.94	8.03	27.00	8.07	27.50	8.14	28.18	8.25	29.31	8.32
	50	21.99	8.00	24.69	8.09	26.24	8.25	26.32	8.35	26.69	8.43	27.50	8.51	28.57	8.56
	52	21.26	8.19	23.88	8.27	25.51	8.51	25.62	8.58	25.81	8.65	26.74	8.75	27.62	8.82
120%	10	22.81	2.74	27.11	3.34	31.56	3.97	33.75	4.29	35.38	4.48	36.20	4.30	36.92	4.13
	12	22.81	2.79	27.11	3.40	31.56	4.04	33.75	4.37	34.87	4.45	35.69	4.28	36.45	4.11
	14	22.81	2.83	27.11	3.47	31.56	4.13	33.75	4.46	34.37	4.42	35.24	4.25	36.05	4.28
	16	22.81	2.89	27.11	3.53	31.56	4.20	33.55	4.49	33.94	4.43	34.76	4.48	35.54	4.51
	18	22.81	2.94	27.11	3.60	31.56	4.35	33.07	4.64	33.44	4.66	34.25	4.71	35.13	4.75
	19	22.81	3.01	27.11	3.75	31.56	4.68	32.62	4.87	33.07	4.89	33.86	4.93	34.62	4.97
	21	22.81	3.03	27.11	3.88	31.56	4.84	32.32	4.99	32.73	5.00	33.64	5.04	34.42	5.10
	23	22.81	3.24	27.11	4.16	31.56	5.19	31.95	5.20	32.32	5.23	33.13	5.27	33.94	5.32
	25	22.81	3.46	27.11	4.45	31.05	5.41	31.44	5.43	31.81	5.45	32.73	5.51	33.55	5.06
	27	22.81	3.70	27.11	4.76	30.63	5.63	31.05	5.67	31.44	5.69	32.26	5.74	33.07	5.80
	29	22.81	3.94	27.11	5.07	30.12	5.86	30.57	5.89	30.94	5.92	31.75	5.98	32.62	6.04
	31	22.81	4.20	27.11	5.42	29.75	6.09	30.12	6.12	30.57	6.15	31.30	6.72	32.12	6.28
	33	22.81	4.48	27.11	5.79	29.25	6.32	29.61	6.35	30.06	6.38	30.82	6.45	31.61	6.52
	35	22.81	4.76	27.11	6.16	28.74	6.55	29.13	6.58	29.61	6.62	30.43	6.69	31.24	6.76
	37	22.81	5.07	27.11	6.57	28.32	6.79	28.74	6.82	29.13	6.86	29.92	6.93	30.74	7.01
	39	22.81	5.39	27.00	6.93	27.81	7.02	28.23	7.06	28.63	7.09	29.50	7.17	30.31	7.24
	41	22.70	5.77	26.74	7.28	27.62	7.29	28.01	7.34	28.38	7.39	29.05	7.42	30.18	7.46
	43	22.50	6.07	26.55	7.53	27.50	7.59	27.76	7.63	28.23	7.67	28.80	7.69	30.01	7.76
46	21.63	6.42	25.76	7.82	26.63	7.91	27.00	7.96	27.50	8.00	28.12	8.05	29.19	8.13	
48	20.81	6.73	25.00	8.08	25.81	8.24	26.24	8.29	26.69	8.36	27.31	8.39	28.32	8.45	
50	20.00	7.02	24.13	8.42	25.00	8.54	25.42	8.59	25.93	8.65	26.49	8.71	27.56	8.76	
52	18.93	7.32	23.26	8.71	24.24	8.82	24.69	8.88	25.20	8.94	25.76	9.02	26.88	9.06	
110%	10	20.87	2.48	24.95	3.02	28.94	3.59	30.94	3.88	32.93	4.18	35.43	4.43	36.25	4.28
	12	20.87	2.53	24.95	3.08	28.94	3.66	30.94	3.96	32.93	4.25	35.07	4.42	35.74	4.25
	14	20.87	2.57	24.95	3.14	28.94	3.73	30.94	4.03	32.93	4.33	34.57	4.42	35.38	4.24
	16	20.87	2.62	24.95	3.19	28.94	3.80	30.94	4.11	32.93	4.42	34.11	4.44	34.87	4.49
	18	20.87	2.67	24.95	3.25	28.94	3.88	30.94	4.22	32.93	4.63	33.64	4.66	34.42	4.71
	19	20.87	2.72	24.95	3.33	28.94	4.11	30.94	4.54	32.43	4.86	33.24	4.90	33.94	4.94
	21	20.87	2.75	24.95	3.42	28.94	4.25	30.94	4.71	32.26	4.97	32.93	5.01	33.75	5.06
	23	20.87	2.88	24.95	3.66	28.94	4.56	30.94	5.04	31.75	5.19	32.57	5.24	33.24	5.29
	25	20.87	3.07	24.95	3.92	28.94	4.88	30.94	5.41	31.30	5.42	32.06	5.47	32.88	5.52
	27	20.87	3.28	24.95	4.20	28.94	5.22	30.43	5.63	30.82	5.65	31.61	5.70	32.32	5.76

AUX ARV OUTDOOR UNIT – ARV 6 ALL DC INVERTER T1 50&60HZ

	29	20.87	3.49	24.95	4.48	28.94	5.58	30.06	5.86	30.43	5.89	31.13	5.94	31.95	5.99
	31	20.87	3.72	24.95	4.77	28.94	5.96	29.50	6.09	29.92	6.12	30.74	6.16	31.44	6.22
	33	20.87	3.96	24.95	5.09	28.74	6.28	29.13	6.31	29.50	6.34	30.26	6.40	31.05	6.47
	35	20.87	4.21	24.95	5.42	28.32	6.51	28.63	6.54	28.99	6.58	29.75	6.64	30.57	6.70
	37	20.87	4.49	24.95	5.77	27.81	6.74	28.23	6.77	28.49	6.80	29.31	6.88	30.06	6.93
	39	20.87	4.76	24.95	6.15	27.31	6.97	27.76	7.01	28.12	7.04	28.80	7.11	29.61	7.18
	41	20.75	5.00	24.69	6.47	27.19	7.14	27.62	7.26	27.87	7.29	28.57	7.34	29.36	7.42
	43	20.62	5.27	24.49	6.75	26.94	7.35	27.45	7.50	27.67	7.56	28.43	7.62	29.05	7.70
	46	19.88	5.55	23.73	7.06	26.24	7.55	26.63	7.74	26.94	7.84	27.67	7.92	28.32	8.01
	48	19.07	5.83	22.95	7.42	25.42	7.76	25.76	8.03	26.24	8.14	26.94	8.21	27.56	8.29
	50	18.25	6.12	22.05	7.79	24.69	8.03	25.00	8.24	25.51	8.36	26.24	8.45	26.88	8.51
	52	17.49	6.38	21.26	8.14	23.82	8.29	24.30	8.47	24.64	8.55	25.37	8.65	25.98	8.78
100%	10	19.01	2.24	22.61	2.72	26.32	3.22	28.12	3.48	29.92	3.76	33.64	4.25	35.54	4.42
	12	19.01	2.28	22.61	2.76	26.32	3.26	28.12	3.52	29.92	3.83	33.64	4.33	35.07	4.39
	14	19.01	2.31	22.61	2.81	26.32	3.32	28.12	3.59	29.92	3.90	33.64	4.40	34.62	4.35
	16	19.01	2.36	22.61	2.87	26.32	3.40	28.12	3.66	29.92	3.99	33.49	4.50	34.11	4.45
	18	19.01	2.41	22.61	2.94	26.32	3.46	28.12	3.73	29.92	4.06	33.07	4.59	33.75	4.66
	19	19.01	2.46	22.61	2.98	26.32	3.58	28.12	3.94	29.92	4.33	32.57	4.83	33.24	4.90
	21	19.01	2.48	22.61	3.01	26.32	3.70	28.12	4.07	29.92	4.47	32.32	4.99	33.07	5.04
	23	19.01	2.54	22.61	3.22	26.32	3.98	28.12	4.38	29.92	4.81	31.95	5.28	32.57	5.33
	25	19.01	2.70	22.61	3.42	26.32	4.23	28.12	4.66	29.92	5.14	31.44	5.47	32.12	5.53
	27	19.01	2.89	22.61	3.65	26.32	4.54	28.12	5.00	29.92	5.52	30.94	5.67	31.61	5.72
	29	19.01	3.06	22.61	3.91	26.32	4.85	28.12	5.34	29.92	5.85	30.49	5.94	31.19	5.99
	31	19.01	3.25	22.61	4.16	26.32	5.17	28.12	5.76	29.92	6.08	29.81	6.18	30.74	6.24
	33	19.01	3.46	22.61	4.43	26.32	5.52	28.00	6.00	29.92	6.30	29.70	6.35	30.31	6.42
	35	19.01	3.69	22.61	4.72	26.32	5.88	28.00	6.11	28.94	6.53	29.13	6.59	29.81	6.65
	37	19.01	3.92	22.61	5.03	26.32	6.26	28.00	6.73	28.94	6.76	28.68	6.82	29.36	6.88
	39	19.01	4.18	22.61	5.35	26.32	6.67	28.00	6.95	28.94	6.99	28.32	7.04	28.68	7.10
	41	18.87	4.42	22.50	5.58	26.07	6.97	27.87	7.14	28.94	7.27	28.12	7.30	28.49	7.37
	43	18.56	4.67	22.25	5.90	25.81	7.26	27.56	7.37	28.38	7.51	27.93	7.53	28.38	7.59
46	17.80	4.95	21.43	6.24	25.00	7.62	26.63	7.67	27.62	7.76	27.25	7.79	27.62	7.85	
48	16.99	5.19	20.70	6.53	24.18	7.96	25.81	7.98	26.94	8.00	26.55	8.05	26.94	8.10	
50	16.25	5.45	20.00	6.82	23.37	8.29	25.00	8.34	26.24	8.40	25.81	8.45	26.24	8.51	
52	15.30	5.71	19.07	7.08	22.61	8.64	24.18	8.69	25.42	8.73	25.00	8.75	25.56	8.85	
90%	10	17.07	1.96	20.31	2.35	23.68	2.75	25.31	3.10	26.94	3.30	30.26	3.77	33.55	4.28
	12	17.07	1.98	20.31	2.38	23.68	2.79	25.31	3.14	26.94	3.36	30.26	3.85	33.55	4.34
	14	17.07	2.02	20.31	2.42	23.68	2.83	25.31	3.18	26.94	3.42	30.26	3.91	33.55	4.41
	16	17.07	2.06	20.31	2.48	23.68	2.90	25.31	3.26	26.94	3.50	30.26	4.00	33.44	4.50
	18	17.07	2.11	20.31	2.54	23.68	2.96	25.31	3.32	26.94	3.57	30.26	4.10	33.13	4.66
	19	17.07	2.14	20.31	2.57	23.68	3.05	25.31	3.39	26.94	3.71	30.26	4.40	32.57	4.85
	21	17.07	2.16	20.31	2.59	23.68	3.16	25.31	3.50	26.94	3.85	30.26	4.55	32.32	4.97
	23	17.07	2.22	20.31	2.77	23.68	3.40	25.31	3.77	26.94	4.11	30.26	4.89	31.81	5.22
	25	17.07	2.36	20.31	2.95	23.68	3.62	25.31	4.02	26.94	4.40	30.26	5.23	31.44	5.43
	27	17.07	2.52	20.31	3.15	23.68	3.87	25.31	4.29	26.94	4.71	30.26	5.58	30.94	5.67
	29	17.07	2.67	20.31	3.37	23.68	4.14	25.31	4.59	26.94	5.03	29.92	5.85	30.57	5.89

AUX ARV OUTDOOR UNIT – ARV 6 ALL DC INVERTER T1 50&60HZ

	31	17.07	2.84	20.31	3.59	23.68	4.42	25.31	4.89	26.94	5.36	29.44	6.06	30.06	6.18
	33	17.07	3.02	20.31	3.82	23.68	4.71	25.31	5.20	26.94	5.71	28.99	6.35	29.61	6.35
	35	17.07	3.21	20.31	4.07	23.68	5.03	25.31	5.55	26.94	6.11	28.49	6.53	29.13	6.59
	37	17.07	3.42	20.31	4.33	23.68	5.35	27.62	5.75	26.94	6.53	28.01	6.77	28.74	6.75
	39	17.07	3.65	20.31	4.61	23.68	5.69	27.25	5.94	26.94	6.93	27.62	7.02	28.23	7.00
	41	16.93	3.85	20.19	4.81	23.42	5.89	27.19	6.13	26.74	7.24	27.36	7.28	28.12	7.30
	43	16.68	4.07	20.00	5.04	23.32	6.10	27.00	6.35	26.32	7.44	27.00	7.50	27.93	7.53
	46	15.86	4.30	19.88	5.25	22.55	6.32	26.24	6.53	25.62	7.63	26.24	7.69	27.19	7.70
	48	15.13	4.52	19.07	5.47	21.88	6.55	25.51	6.75	24.80	7.86	25.68	7.92	26.32	7.94
	50	14.37	4.75	18.19	5.67	21.07	6.80	24.75	7.01	24.13	8.10	25.00	8.14	25.62	8.20
	52	13.56	5.00	17.49	5.91	20.19	7.01	23.88	7.25	23.26	8.30	24.30	8.35	24.80	8.40
80%	10	15.19	1.77	18.06	2.13	21.07	2.50	22.50	2.70	23.93	2.89	26.94	3.30	29.81	3.83
	12	15.19	1.81	18.06	2.16	21.07	2.55	22.50	2.75	23.93	2.94	26.94	3.36	29.81	3.80
	14	15.19	1.84	18.06	2.21	21.07	2.59	22.50	2.79	23.93	3.00	26.94	3.42	29.81	3.89
	16	15.19	1.87	18.06	2.24	21.07	2.64	22.50	2.84	23.93	3.05	26.94	3.49	29.81	4.03
	18	15.19	1.90	18.06	2.29	21.07	2.70	22.50	2.90	23.93	3.09	26.94	3.58	29.81	4.31
	19	15.19	1.94	18.06	2.32	21.07	2.75	22.50	2.96	23.93	3.17	26.94	3.70	29.81	4.46
	21	15.19	1.95	18.06	2.35	21.07	2.77	22.50	3.00	23.93	3.24	26.94	3.83	29.81	4.78
	23	15.19	1.99	18.06	2.40	21.07	2.90	22.50	3.18	23.93	3.47	26.94	4.10	29.81	5.12
	25	15.19	2.05	18.06	2.55	21.07	3.11	22.50	3.41	23.93	3.70	26.94	4.39	29.81	5.45
	27	15.19	2.18	18.06	2.71	21.07	3.31	22.50	3.63	23.93	3.98	26.94	4.68	29.81	5.65
	29	15.19	2.32	18.06	2.89	21.07	3.53	22.50	3.87	23.93	4.24	26.94	5.00	29.81	5.85
	31	15.19	2.46	18.06	3.08	21.07	3.76	22.50	4.13	23.93	4.52	26.94	5.34	29.31	6.07
	33	15.19	2.62	18.06	3.42	21.07	4.00	22.50	4.39	23.93	4.81	26.94	5.69	28.94	6.28
	35	15.19	2.77	18.06	3.51	21.07	4.25	22.50	4.68	23.93	5.12	26.94	6.08	28.43	6.51
	37	15.19	2.94	18.06	3.69	21.07	4.53	22.13	4.99	23.93	5.45	26.94	6.47	28.01	6.75
	39	15.19	3.12	18.06	3.91	21.07	4.81	21.82	5.31	23.93	5.81	26.94	6.89	27.50	7.01
	41	14.99	3.34	17.89	4.13	20.92	5.03	21.57	5.50	23.73	6.01	26.74	7.09	27.31	7.26
	43	14.82	3.53	17.55	4.34	20.87	5.23	21.32	5.74	23.51	6.29	26.49	7.30	27.19	7.52
	46	14.00	3.73	16.87	4.57	20.05	5.47	20.62	5.96	22.75	6.50	25.76	7.52	26.32	7.74
	48	13.24	3.98	16.00	4.78	19.38	5.64	19.69	6.13	21.99	6.77	25.00	7.78	25.62	7.96
	50	12.48	4.23	15.19	5.01	18.62	5.85	18.87	6.35	21.26	6.53	24.30	8.01	24.80	8.15
	52	11.70	4.46	14.43	5.18	17.07	6.08	18.19	6.53	20.36	6.75	23.42	8.27	24.08	8.41
70%	10	13.30	1.57	15.81	1.86	18.45	2.16	19.69	2.32	20.92	2.50	23.57	2.83	26.13	3.18
	12	13.30	1.59	15.81	1.88	18.45	2.21	19.69	2.37	20.92	2.54	23.57	2.89	26.13	3.25
	14	13.30	1.61	15.81	1.92	18.45	2.24	19.69	2.41	20.92	2.59	23.57	2.94	26.13	3.31
	16	13.30	1.64	15.81	1.95	18.45	2.29	19.69	2.46	20.92	2.63	23.57	3.00	26.13	3.37
	18	13.30	1.67	15.81	1.99	18.45	2.32	19.69	2.50	20.92	2.68	23.57	3.05	26.13	3.44
	19	13.30	1.69	15.81	2.02	18.45	2.37	19.69	2.55	20.92	2.74	23.57	3.12	26.13	3.53
	21	13.30	1.71	15.81	2.04	18.45	2.39	19.69	2.57	20.92	2.76	23.57	3.15	26.13	3.66
	23	13.30	1.74	15.81	2.08	18.45	2.44	19.69	2.67	20.92	2.90	23.57	3.38	26.13	3.92
	25	13.30	1.77	15.81	2.16	18.45	2.60	19.69	2.84	20.92	3.09	23.57	3.63	26.13	4.20
	27	13.30	1.87	15.81	2.30	18.45	2.77	19.69	3.03	20.92	3.30	23.57	3.87	26.13	4.99
	29	13.30	1.99	15.81	2.44	18.45	2.95	19.69	3.23	20.92	3.52	23.57	4.13	26.13	4.79
	31	13.30	2.11	15.81	2.60	18.45	3.15	19.69	3.43	20.92	3.73	23.57	4.39	26.13	5.11

AUX ARV OUTDOOR UNIT – ARV 6 ALL DC INVERTER T1 50&60HZ

	33	13.30	2.23	15.81	2.77	18.45	3.35	19.69	3.65	20.92	3.98	23.57	4.68	26.13	5.45
	35	13.30	2.36	15.81	2.95	18.45	3.55	19.69	3.89	20.92	4.24	23.57	4.99	26.13	5.80
	37	13.30	2.50	15.81	3.15	18.45	3.77	19.69	4.13	20.92	4.51	23.57	5.31	26.13	6.18
	39	13.30	2.64	15.81	3.35	18.45	4.00	19.69	4.39	20.92	4.79	23.57	5.65	26.13	6.58
	41	13.13	2.82	15.64	3.53	18.25	4.23	19.49	4.63	20.75	5.03	23.42	5.84	25.93	6.80
	43	12.88	2.99	15.38	3.73	18.11	4.46	19.38	4.84	20.56	5.26	23.26	6.02	25.68	7.02
	46	12.12	3.18	14.62	4.00	17.38	4.67	18.45	5.03	19.75	5.51	22.55	6.24	25.00	7.32
	48	11.45	3.37	13.81	4.23	16.51	4.90	17.69	5.23	19.07	5.79	21.88	6.47	24.18	7.59
	50	10.69	3.53	13.13	4.45	15.75	5.10	16.93	5.40	18.31	6.04	21.07	6.73	23.42	7.91
	52	10.01	3.74	12.18	4.69	14.99	5.31	16.25	5.58	17.49	6.30	20.25	6.96	22.75	8.22
60%	10	11.36	1.36	13.56	1.60	15.81	1.84	16.87	1.98	17.94	2.11	20.19	2.39	22.39	2.68
	12	11.36	1.38	13.56	1.62	15.81	1.88	16.87	2.02	17.94	2.15	20.19	2.44	22.39	2.72
	14	11.36	1.40	13.56	1.64	15.81	1.90	16.87	2.05	17.94	2.19	20.19	2.48	22.39	2.77
	16	11.36	1.42	13.56	1.67	15.81	1.94	16.87	2.08	17.94	2.22	20.19	2.52	22.39	2.83
	18	11.36	1.44	13.56	1.70	15.81	1.98	16.87	2.12	17.94	2.27	20.19	2.57	22.39	2.88
	19	11.36	1.46	13.56	1.74	15.81	2.02	16.87	2.16	17.94	2.31	20.19	2.62	22.39	2.94
	21	11.36	1.48	13.56	1.74	15.81	2.03	16.87	2.18	17.94	2.32	20.19	2.64	22.39	2.97
	23	11.36	1.49	13.56	1.77	15.81	2.07	16.87	2.22	17.94	2.37	20.19	2.75	22.39	3.16
	25	11.36	1.53	13.56	1.81	15.81	2.15	16.87	2.32	17.94	2.52	20.19	2.94	22.39	3.37
	27	11.36	1.59	13.56	1.92	15.81	2.29	16.87	2.49	17.94	2.69	20.19	3.12	22.39	3.60
	29	11.36	1.67	13.56	2.03	15.81	2.44	16.87	2.64	17.94	2.86	20.19	3.34	22.39	3.85
	31	11.36	1.77	13.56	2.16	15.81	2.59	16.87	2.81	17.94	3.05	20.19	3.55	22.39	4.09
	33	11.36	1.87	13.56	2.29	15.81	2.74	16.87	2.98	17.94	3.24	20.19	3.77	22.39	4.36
	35	11.36	1.99	13.56	2.42	15.81	2.90	16.87	3.17	17.94	3.44	20.19	4.02	22.39	4.64
	37	11.36	2.11	13.56	2.57	15.81	3.08	16.87	3.36	17.94	3.65	20.19	4.27	22.39	4.94
	39	11.36	2.22	13.56	2.71	15.81	3.27	16.87	3.56	17.94	3.88	20.19	4.54	22.39	5.25
	41	11.25	2.37	13.44	2.87	15.64	3.47	16.51	3.79	17.80	4.03	20.00	4.76	22.13	5.45
	43	11.00	2.52	13.30	3.03	15.38	3.69	16.25	3.99	17.55	4.24	19.75	5.00	21.88	5.69
46	10.23	2.71	12.48	3.24	14.56	3.96	15.38	4.23	16.87	4.46	19.01	5.24	21.07	5.90	
48	9.50	2.89	11.70	3.41	13.81	4.18	14.62	4.45	16.00	4.62	18.62	5.47	20.25	6.13	
50	8.75	3.09	10.94	3.58	13.13	4.45	13.95	4.67	15.19	4.83	17.89	5.71	19.49	6.34	
52	7.88	3.27	10.18	3.74	12.32	4.64	13.19	4.90	14.43	5.04	17.07	5.96	18.76	6.50	
50%	10	9.50	1.17	11.30	1.36	13.19	1.55	14.06	1.66	14.93	1.75	16.81	1.97	18.67	2.20
	12	9.50	1.19	11.30	1.38	13.19	1.57	14.06	1.67	14.93	1.78	16.81	2.01	18.67	2.23
	14	9.50	1.20	11.30	1.40	13.19	1.60	14.06	1.71	14.93	1.81	16.81	2.04	18.67	2.28
	16	9.50	1.22	11.30	1.41	13.19	1.62	14.06	1.74	14.93	1.84	16.81	2.08	18.67	2.31
	18	9.50	1.23	11.30	1.44	13.19	1.64	14.06	1.76	14.93	1.87	16.81	2.11	18.67	2.35
	19	9.50	1.26	11.30	1.46	13.19	1.67	14.06	1.79	14.93	1.90	16.81	2.15	18.67	2.40
	21	9.50	1.26	11.30	1.47	13.19	1.69	14.06	1.81	14.93	1.93	16.81	2.17	18.67	2.42
	23	9.50	1.28	11.30	1.49	13.19	1.71	14.06	1.84	14.93	1.96	16.81	2.21	18.67	2.48
	25	9.50	1.29	11.30	1.51	13.19	1.75	14.06	1.87	14.93	2.02	16.81	2.32	18.67	2.64
	27	9.50	1.33	11.30	1.57	13.19	1.84	14.06	2.00	14.93	2.15	16.81	2.47	18.67	2.82
	29	9.50	1.40	11.30	1.67	13.19	1.96	14.06	2.12	14.93	2.29	16.81	2.63	18.67	3.01
	31	9.50	1.47	11.30	1.76	13.19	2.09	14.06	2.25	14.93	2.42	16.81	2.79	18.67	3.19
	33	9.50	1.56	11.30	1.87	13.19	2.21	14.06	2.38	14.93	2.57	16.81	2.97	18.67	3.40

AUX ARV OUTDOOR UNIT – ARV 6 ALL DC INVERTER T1 50&60HZ

35	9.50	1.64	11.30	1.97	13.19	2.32	14.06	2.52	14.93	2.72	16.81	3.15	18.67	3.60
37	9.50	1.74	11.30	2.08	13.19	2.47	14.06	2.67	14.93	2.89	16.81	3.35	18.67	3.83
39	9.50	1.83	11.30	2.20	13.19	2.61	14.06	2.83	14.93	3.07	16.81	3.55	18.67	4.07
41	9.25	1.94	11.14	2.39	12.93	2.79	14.00	2.99	14.82	3.31	16.68	3.74	18.56	4.27
43	9.00	2.01	10.88	2.52	12.74	2.96	13.81	3.18	14.56	3.53	16.37	3.95	18.45	4.46
46	8.24	2.11	10.13	2.72	12.01	3.08	13.13	3.36	13.81	3.76	15.64	4.13	17.69	4.62
48	7.57	2.29	9.45	2.92	11.25	3.24	12.37	3.52	13.13	4.00	14.88	4.36	16.93	4.86
50	6.86	2.46	8.75	3.12	10.49	3.41	11.00	3.67	12.32	4.24	14.00	4.53	16.25	5.07
52	6.30	2.52	7.99	3.33	9.62	3.54	10.18	3.85	11.56	4.52	13.13	4.75	15.30	5.29

7.1.3 ARV-H330/SR1MV

Combination (%)	Outdoor	Indoor temperature(°C)													
		DB:20.8,WB:14		DB:23.3,WB:16		DB:25.8,WB:18		DB:27,WB:19		DB:28.2,WB:20		DB:30.7,WB:22		DB:32,WB:24	
Capacity index	temp. (°CDB)	TC	PI	TC	PI	TC	PI	TC	PI	TC	PI	TC	PI	TC	PI
		kW	kW	kW	kW	kW	kW	kW	kW	kW	kW	kW	kW	kW	kW
130%	10	29.54	3.91	35.23	4.77	40.82	5.67	42.40	5.80	42.93	5.68	43.97	5.44	45.09	5.19
	12	29.54	3.97	35.23	4.86	40.82	5.78	41.79	5.76	42.40	5.65	43.37	5.40	44.48	5.31
	14	29.54	4.06	35.23	4.95	41.35	5.85	41.35	5.74	41.79	5.62	42.93	5.57	43.97	5.62
	16	29.54	4.11	35.23	5.05	40.74	6.49	40.74	5.78	41.18	5.81	42.32	5.87	43.37	5.93
	18	29.54	4.20	35.23	5.16	40.14	6.04	40.14	6.08	40.74	6.11	41.79	6.17	42.93	6.23
	19	29.54	4.29	35.23	5.49	39.63	6.34	39.63	6.38	40.14	6.42	41.18	6.47	42.32	6.54
	21	29.54	4.40	35.23	5.68	39.40	6.50	39.40	6.52	39.94	6.56	40.98	6.63	42.02	6.69
	23	29.54	4.72	35.23	6.09	38.79	6.79	38.79	6.82	39.33	6.86	40.37	6.92	41.42	7.00
	25	29.54	5.04	35.23	6.52	38.36	7.09	38.36	7.12	38.79	7.16	39.94	7.24	40.98	7.31
	27	29.54	5.39	35.23	6.99	37.75	7.42	37.75	7.42	38.22	7.46	39.33	7.54	40.37	7.62
	29	29.54	5.76	35.23	7.46	37.14	7.68	37.14	7.73	37.75	7.77	38.79	7.85	39.94	7.93
	31	29.54	6.14	35.06	7.90	36.64	7.99	36.64	7.99	37.14	8.07	38.22	8.16	39.33	8.26
	33	29.54	6.54	34.45	8.20	36.03	8.27	36.03	8.33	36.64	8.37	37.75	8.47	38.66	8.57
	35	29.54	6.97	33.88	8.49	35.60	8.59	35.60	8.64	36.03	8.68	37.14	8.79	38.22	8.88
	37	29.54	7.42	33.41	8.80	34.99	8.90	34.99	8.94	35.60	9.00	36.57	9.11	37.61	9.19
	39	29.54	7.90	32.84	9.09	34.45	9.19	34.45	9.26	34.99	9.31	36.03	9.41	37.14	9.53
	41	29.38	8.40	32.61	9.49	34.25	9.56	34.25	9.59	34.92	9.65	35.73	9.74	37.01	9.78
	43	29.17	8.94	32.30	9.80	33.95	9.89	34.08	9.94	34.69	10.03	35.43	10.15	36.77	10.22
46	28.19	9.49	31.39	10.04	33.04	10.18	33.21	10.24	33.78	10.30	34.62	10.37	35.90	10.44	
48	27.28	10.25	30.51	10.30	32.23	10.47	32.30	10.52	32.91	10.61	33.72	10.75	35.06	10.84	
50	26.32	10.42	29.54	10.54	31.39	10.75	31.50	10.88	31.93	10.98	32.91	11.09	34.19	11.15	
52	25.44	10.67	28.56	10.78	30.51	11.09	30.65	11.18	30.89	11.27	32.00	11.40	33.04	11.50	
120%	10	27.28	3.56	32.43	4.35	37.75	5.17	40.37	5.59	42.32	5.83	43.30	5.61	44.18	5.39
	12	27.28	3.63	32.43	4.43	37.75	5.26	40.37	5.70	41.72	5.80	42.70	5.58	43.60	5.35
	14	27.28	3.69	32.43	4.52	37.75	5.38	40.37	5.81	41.12	5.76	42.16	5.54	43.14	5.58
	16	27.28	3.77	32.43	4.61	37.75	5.48	40.14	5.85	40.61	5.78	41.59	5.83	42.53	5.88
	18	27.28	3.83	32.43	4.70	37.75	5.67	39.57	6.04	40.01	6.07	40.98	6.13	42.02	6.19

AUX ARV OUTDOOR UNIT – ARV 6 ALL DC INVERTER T1 50&60HZ

	19	27.28	3.92	32.43	4.89	37.75	6.09	39.03	6.34	39.57	6.37	40.51	6.42	41.42	6.47
	21	27.28	3.95	32.43	5.05	37.75	6.31	38.66	6.50	39.17	6.52	40.24	6.57	41.18	6.65
	23	27.28	4.23	32.43	5.42	37.75	6.76	38.22	6.78	38.66	6.82	39.63	6.87	40.61	6.94
	25	27.28	4.50	32.43	5.80	37.14	7.05	37.61	7.08	38.05	7.10	39.17	7.18	40.14	6.59
	27	27.28	4.82	32.43	6.20	36.64	7.33	37.14	7.38	37.61	7.42	38.59	7.48	39.57	7.55
	29	27.28	5.13	32.43	6.61	36.03	7.63	36.57	7.68	37.01	7.71	37.99	7.79	39.03	7.87
	31	27.28	5.48	32.43	7.06	35.60	7.94	36.03	7.98	36.57	8.02	37.45	8.75	38.42	8.18
	33	27.28	5.83	32.43	7.54	34.99	8.24	35.43	8.28	35.97	8.32	36.88	8.41	37.82	8.49
	35	27.28	6.20	32.43	8.03	34.39	8.53	34.86	8.58	35.43	8.63	36.41	8.71	37.38	8.81
	37	27.28	6.61	32.43	8.56	33.88	8.85	34.39	8.89	34.86	8.94	35.80	9.03	36.77	9.13
	39	27.28	7.03	32.30	9.03	33.28	9.14	33.78	9.19	34.25	9.24	35.30	9.34	36.27	9.43
	41	27.15	7.52	32.00	9.49	33.04	9.50	33.51	9.57	33.95	9.63	34.76	9.67	36.10	9.71
	43	26.92	7.90	31.76	9.81	32.91	9.89	33.21	9.94	33.78	9.99	34.45	10.02	35.90	10.11
	46	25.87	8.37	30.82	10.19	31.86	10.30	32.30	10.37	32.91	10.42	33.65	10.49	34.92	10.59
	48	24.90	8.76	29.92	10.52	30.89	10.74	31.39	10.80	31.93	10.89	32.67	10.93	33.88	11.02
	50	23.92	9.15	28.86	10.97	29.92	11.13	30.42	11.19	31.02	11.27	31.70	11.34	32.97	11.41
	52	22.64	9.54	27.82	11.34	29.01	11.50	29.54	11.57	30.15	11.65	30.82	11.75	32.17	11.80
110%	10	24.97	3.23	29.84	3.93	34.62	4.68	37.01	5.05	39.40	5.44	42.40	5.78	43.37	5.58
	12	24.97	3.29	29.84	4.01	34.62	4.77	37.01	5.16	39.40	5.54	41.96	5.76	42.77	5.54
	14	24.97	3.35	29.84	4.09	34.62	4.86	37.01	5.25	39.40	5.65	41.35	5.76	42.32	5.53
	16	24.97	3.41	29.84	4.16	34.62	4.95	37.01	5.35	39.40	5.76	40.82	5.78	41.72	5.84
	18	24.97	3.48	29.84	4.24	34.62	5.05	37.01	5.49	39.40	6.04	40.24	6.08	41.18	6.14
	19	24.97	3.55	29.84	4.34	34.62	5.35	37.01	5.91	38.79	6.33	39.77	6.38	40.61	6.43
	21	24.97	3.58	29.84	4.46	34.62	5.54	37.01	6.13	38.59	6.47	39.40	6.52	40.37	6.59
	23	24.97	3.75	29.84	4.77	34.62	5.94	37.01	6.57	37.99	6.77	38.96	6.83	39.77	6.89
	25	24.97	4.00	29.84	5.11	34.62	6.36	37.01	7.05	37.45	7.06	38.36	7.13	39.33	7.19
	27	24.97	4.27	29.84	5.47	34.62	6.80	36.41	7.33	36.88	7.36	37.82	7.42	38.66	7.50
	29	24.97	4.55	29.84	5.83	34.62	7.27	35.97	7.63	36.41	7.67	37.25	7.74	38.22	7.80
	31	24.97	4.85	29.84	6.21	34.62	7.76	35.30	7.93	35.80	7.97	36.77	8.03	37.61	8.11
	33	24.97	5.16	29.84	6.63	34.39	8.18	34.86	8.22	35.30	8.26	36.21	8.34	37.14	8.43
	35	24.97	5.49	29.84	7.06	33.88	8.48	34.25	8.53	34.69	8.57	35.60	8.65	36.57	8.73
	37	24.97	5.84	29.84	7.52	33.28	8.79	33.78	8.82	34.08	8.86	35.06	8.96	35.97	9.03
	39	24.97	6.20	29.84	8.01	32.67	9.08	33.21	9.13	33.65	9.17	34.45	9.26	35.43	9.36
	41	24.83	6.52	29.54	8.43	32.54	9.31	33.04	9.46	33.34	9.50	34.19	9.57	35.13	9.66
	43	24.66	6.87	29.31	8.80	32.23	9.58	32.84	9.77	33.11	9.85	34.02	9.93	34.76	10.03
	46	23.79	7.23	28.40	9.19	31.39	9.83	31.86	10.09	32.23	10.21	33.11	10.32	33.88	10.44
	48	22.81	7.59	27.46	9.67	30.42	10.11	30.82	10.46	31.39	10.60	32.23	10.69	32.97	10.80
50	21.84	7.97	26.38	10.15	29.54	10.46	29.92	10.74	30.51	10.90	31.39	11.01	32.17	11.09	
52	20.93	8.31	25.44	10.60	28.50	10.80	29.07	11.03	29.47	11.13	30.35	11.27	31.09	11.44	
100%	10	22.75	2.92	27.05	3.55	31.50	4.20	33.65	4.53	35.80	4.89	40.24	5.54	42.53	5.76
	12	22.75	2.97	27.05	3.60	31.50	4.25	33.65	4.59	35.80	4.99	40.24	5.64	41.96	5.72
	14	22.75	3.02	27.05	3.66	31.50	4.33	33.65	4.67	35.80	5.08	40.24	5.73	41.42	5.67
	16	22.75	3.08	27.05	3.74	31.50	4.43	33.65	4.77	35.80	5.20	40.07	5.87	40.82	5.79
	18	22.75	3.14	27.05	3.83	31.50	4.51	33.65	4.87	35.80	5.29	39.57	5.98	40.37	6.07
	19	22.75	3.20	27.05	3.88	31.50	4.66	33.65	5.13	35.80	5.64	38.96	6.29	39.77	6.38

AUX ARV OUTDOOR UNIT – ARV 6 ALL DC INVERTER T1 50&60HZ

	21	22.75	3.23	27.05	3.92	31.50	4.82	33.65	5.31	35.80	5.83	38.66	6.50	39.57	6.56
	23	22.75	3.31	27.05	4.19	31.50	5.18	33.65	5.71	35.80	6.27	38.22	6.88	38.96	6.94
	25	22.75	3.52	27.05	4.46	31.50	5.51	33.65	6.07	35.80	6.70	37.61	7.13	38.42	7.20
	27	22.75	3.77	27.05	4.76	31.50	5.91	33.65	6.51	35.80	7.19	37.01	7.38	37.82	7.45
	29	22.75	3.98	27.05	5.09	31.50	6.32	33.65	6.96	35.80	7.62	36.47	7.74	37.31	7.80
	31	22.75	4.24	27.05	5.42	31.50	6.74	33.65	7.50	35.80	7.93	35.67	8.06	36.77	8.13
	33	22.75	4.51	27.05	5.78	31.50	7.19	33.50	7.60	35.80	8.21	35.53	8.28	36.27	8.37
	35	22.75	4.80	27.05	6.15	31.50	7.66	33.50	7.70	34.62	8.51	34.86	8.59	35.67	8.66
	37	22.75	5.11	27.05	6.55	31.50	8.16	33.50	8.47	34.62	8.81	34.32	8.88	35.13	8.96
	39	22.75	5.44	27.05	6.97	31.50	8.69	33.50	9.06	34.62	9.11	33.88	9.17	34.32	9.26
	41	22.57	5.76	26.92	7.27	31.19	9.08	33.34	9.31	34.62	9.48	33.65	9.52	34.08	9.60
	43	22.21	6.09	26.61	7.69	30.89	9.46	32.97	9.60	33.95	9.79	33.41	9.80	33.95	9.89
	46	21.30	6.45	25.64	8.13	29.92	9.93	31.86	10.00	33.04	10.11	32.61	10.15	33.04	10.23
	48	20.32	6.76	24.76	8.50	28.94	10.37	30.89	10.39	32.23	10.42	31.76	10.49	32.23	10.55
	50	19.45	7.10	23.92	8.88	27.96	10.80	29.92	10.86	31.39	10.94	30.89	11.01	31.39	11.09
	52	18.30	7.44	22.81	9.23	27.05	11.25	28.94	11.32	30.42	11.37	29.92	11.40	30.59	11.53
90%	10	20.42	2.55	24.29	3.06	28.33	3.58	30.28	4.04	32.23	4.30	36.21	4.92	40.14	5.58
	12	20.42	2.58	24.29	3.10	28.33	3.63	30.28	4.09	32.23	4.38	36.21	5.01	40.14	5.66
	14	20.42	2.63	24.29	3.16	28.33	3.69	30.28	4.15	32.23	4.46	36.21	5.09	40.14	5.75
	16	20.42	2.68	24.29	3.23	28.33	3.78	30.28	4.25	32.23	4.56	36.21	5.21	40.01	5.86
	18	20.42	2.75	24.29	3.30	28.33	3.85	30.28	4.33	32.23	4.65	36.21	5.34	39.63	6.07
	19	20.42	2.79	24.29	3.34	28.33	3.97	30.28	4.42	32.23	4.83	36.21	5.73	38.96	6.32
	21	20.42	2.82	24.29	3.38	28.33	4.11	30.28	4.56	32.23	5.01	36.21	5.93	38.66	6.47
	23	20.42	2.89	24.29	3.61	28.33	4.43	30.28	4.91	32.23	5.36	36.21	6.37	38.05	6.80
	25	20.42	3.07	24.29	3.84	28.33	4.71	30.28	5.24	32.23	5.73	36.21	6.81	37.61	7.08
	27	20.42	3.29	24.29	4.11	28.33	5.04	30.28	5.59	32.23	6.14	36.21	7.26	37.01	7.39
	29	20.42	3.48	24.29	4.39	28.33	5.40	30.28	5.98	32.23	6.55	35.80	7.62	36.57	7.68
	31	20.42	3.70	24.29	4.67	28.33	5.76	30.28	6.37	32.23	6.99	35.23	7.89	35.97	8.06
	33	20.42	3.93	24.29	4.98	28.33	6.14	30.28	6.78	32.23	7.43	34.69	8.27	35.43	8.28
	35	20.42	4.19	24.29	5.30	28.33	6.55	30.28	7.23	32.23	7.96	34.08	8.51	34.86	8.59
	37	20.42	4.46	24.29	5.64	28.33	6.97	33.04	7.49	32.23	8.51	33.51	8.82	34.39	8.80
	39	20.42	4.75	24.29	6.01	28.33	7.42	32.61	7.74	32.23	9.03	33.04	9.14	33.78	9.12
	41	20.26	5.02	24.16	6.27	28.03	7.68	32.54	7.99	32.00	9.43	32.74	9.49	33.65	9.52
	43	19.95	5.31	23.92	6.56	27.89	7.95	32.30	8.28	31.50	9.70	32.30	9.78	33.41	9.80
	46	18.98	5.60	23.79	6.84	26.99	8.23	31.39	8.51	30.65	9.95	31.39	10.02	32.54	10.04
	48	18.10	5.88	22.81	7.12	26.17	8.53	30.51	8.80	29.68	10.24	30.72	10.32	31.50	10.34
50	17.19	6.19	21.77	7.39	25.20	8.86	29.61	9.13	28.86	10.55	29.92	10.61	30.65	10.69	
52	16.22	6.52	20.93	7.70	24.16	9.13	28.56	9.45	27.82	10.81	29.07	10.88	29.68	10.95	
80%	10	18.17	2.31	21.60	2.77	25.20	3.26	26.92	3.51	28.63	3.77	32.23	4.30	35.67	4.99
	12	18.17	2.35	21.60	2.82	25.20	3.32	26.92	3.58	28.63	3.83	32.23	4.38	35.67	4.95
	14	18.17	2.40	21.60	2.88	25.20	3.38	26.92	3.64	28.63	3.91	32.23	4.45	35.67	5.06
	16	18.17	2.43	21.60	2.92	25.20	3.44	26.92	3.71	28.63	3.97	32.23	4.55	35.67	5.25
	18	18.17	2.48	21.60	2.98	25.20	3.52	26.92	3.78	28.63	4.03	32.23	4.66	35.67	5.62
	19	18.17	2.53	21.60	3.03	25.20	3.58	26.92	3.86	28.63	4.13	32.23	4.82	35.67	5.82
	21	18.17	2.54	21.60	3.06	25.20	3.61	26.92	3.91	28.63	4.23	32.23	4.99	35.67	6.22

AUX ARV OUTDOOR UNIT – ARV 6 ALL DC INVERTER T1 50&60HZ

	23	18.17	2.59	21.60	3.13	25.20	3.78	26.92	4.15	28.63	4.52	32.23	5.34	35.67	6.67
	25	18.17	2.67	21.60	3.32	25.20	4.06	26.92	4.44	28.63	4.82	32.23	5.72	35.67	7.10
	27	18.17	2.85	21.60	3.54	25.20	4.32	26.92	4.73	28.63	5.18	32.23	6.10	35.67	7.36
	29	18.17	3.03	21.60	3.77	25.20	4.60	26.92	5.04	28.63	5.52	32.23	6.52	35.67	7.62
	31	18.17	3.20	21.60	4.01	25.20	4.89	26.92	5.38	28.63	5.88	32.23	6.96	35.06	7.90
	33	18.17	3.41	21.60	4.46	25.20	5.21	26.92	5.72	28.63	6.27	32.23	7.42	34.62	8.19
	35	18.17	3.61	21.60	4.57	25.20	5.54	26.92	6.10	28.63	6.67	32.23	7.92	34.02	8.48
	37	18.17	3.83	21.60	4.81	25.20	5.90	26.48	6.50	28.63	7.10	32.23	8.43	33.51	8.80
	39	18.17	4.06	21.60	5.09	25.20	6.27	26.11	6.92	28.63	7.57	32.23	8.98	32.91	9.13
	41	17.93	4.35	21.40	5.39	25.03	6.55	25.81	7.16	28.40	7.83	32.00	9.23	32.67	9.46
	43	17.73	4.60	20.99	5.66	24.97	6.82	25.50	7.47	28.13	8.20	31.70	9.52	32.54	9.80
	46	16.76	4.87	20.19	5.95	23.99	7.12	24.66	7.77	27.22	8.48	30.82	9.80	31.50	10.08
	48	15.85	5.19	19.15	6.23	23.18	7.34	23.55	7.99	26.32	8.82	29.92	10.14	30.65	10.37
	50	14.94	5.51	18.17	6.52	22.27	7.63	22.57	8.28	25.44	8.50	29.07	10.43	29.68	10.62
	52	14.00	5.81	17.26	6.75	20.42	7.93	21.77	8.51	24.36	8.80	28.03	10.78	28.80	10.96
70%	10	15.92	2.04	18.91	2.42	22.07	2.82	23.55	3.03	25.03	3.25	28.19	3.69	31.26	4.15
	12	15.92	2.07	18.91	2.45	22.07	2.88	23.55	3.09	25.03	3.31	28.19	3.77	31.26	4.24
	14	15.92	2.10	18.91	2.50	22.07	2.92	23.55	3.14	25.03	3.37	28.19	3.83	31.26	4.32
	16	15.92	2.13	18.91	2.54	22.07	2.98	23.55	3.20	25.03	3.43	28.19	3.91	31.26	4.40
	18	15.92	2.17	18.91	2.59	22.07	3.03	23.55	3.26	25.03	3.49	28.19	3.98	31.26	4.49
	19	15.92	2.20	18.91	2.63	22.07	3.09	23.55	3.32	25.03	3.56	28.19	4.06	31.26	4.61
	21	15.92	2.23	18.91	2.66	22.07	3.12	23.55	3.35	25.03	3.60	28.19	4.11	31.26	4.77
	23	15.92	2.26	18.91	2.71	22.07	3.18	23.55	3.47	25.03	3.78	28.19	4.41	31.26	5.11
	25	15.92	2.31	18.91	2.82	22.07	3.39	23.55	3.71	25.03	4.03	28.19	4.72	31.26	5.47
	27	15.92	2.44	18.91	3.00	22.07	3.61	23.55	3.95	25.03	4.30	28.19	5.04	31.26	6.50
	29	15.92	2.59	18.91	3.18	22.07	3.84	23.55	4.21	25.03	4.58	28.19	5.38	31.26	6.24
	31	15.92	2.75	18.91	3.39	22.07	4.10	23.55	4.47	25.03	4.87	28.19	5.72	31.26	6.65
	33	15.92	2.91	18.91	3.61	22.07	4.36	23.55	4.76	25.03	5.19	28.19	6.10	31.26	7.10
	35	15.92	3.08	18.91	3.84	22.07	4.62	23.55	5.06	25.03	5.53	28.19	6.50	31.26	7.56
	37	15.92	3.25	18.91	4.10	22.07	4.92	23.55	5.39	25.03	5.88	28.19	6.92	31.26	8.06
	39	15.92	3.44	18.91	4.36	22.07	5.21	23.55	5.72	25.03	6.24	28.19	7.36	31.26	8.58
	41	15.72	3.67	18.71	4.60	21.84	5.51	23.32	6.04	24.83	6.55	28.03	7.61	31.02	8.86
	43	15.41	3.89	18.41	4.87	21.67	5.81	23.18	6.31	24.59	6.86	27.82	7.85	30.72	9.15
	46	14.50	4.15	17.50	5.21	20.79	6.09	22.07	6.55	23.62	7.18	26.99	8.13	29.92	9.54
	48	13.69	4.40	16.52	5.51	19.75	6.38	21.17	6.82	22.81	7.54	26.17	8.43	28.94	9.89
50	12.78	4.60	15.72	5.80	18.84	6.64	20.26	7.04	21.90	7.87	25.20	8.77	28.03	10.30	
52	11.98	4.88	14.57	6.11	17.93	6.92	19.45	7.27	20.93	8.21	24.22	9.06	27.22	10.71	
60%	10	13.59	1.77	16.22	2.08	18.91	2.40	20.19	2.58	21.47	2.75	24.16	3.12	26.78	3.49
	12	13.59	1.80	16.22	2.11	18.91	2.45	20.19	2.63	21.47	2.80	24.16	3.18	26.78	3.55
	14	13.59	1.82	16.22	2.14	18.91	2.48	20.19	2.67	21.47	2.85	24.16	3.23	26.78	3.61
	16	13.59	1.85	16.22	2.17	18.91	2.53	20.19	2.71	21.47	2.90	24.16	3.29	26.78	3.69
	18	13.59	1.88	16.22	2.22	18.91	2.58	20.19	2.76	21.47	2.95	24.16	3.34	26.78	3.75
	19	13.59	1.91	16.22	2.26	18.91	2.63	20.19	2.82	21.47	3.02	24.16	3.41	26.78	3.83
	21	13.59	1.93	16.22	2.27	18.91	2.65	20.19	2.85	21.47	3.03	24.16	3.44	26.78	3.87
	23	13.59	1.95	16.22	2.31	18.91	2.69	20.19	2.90	21.47	3.09	24.16	3.58	26.78	4.11

AUX ARV OUTDOOR UNIT – ARV 6 ALL DC INVERTER T1 50&60HZ .

	25	13.59	1.99	16.22	2.36	18.91	2.80	20.19	3.03	21.47	3.29	24.16	3.83	26.78	4.40
	27	13.59	2.07	16.22	2.50	18.91	2.98	20.19	3.24	21.47	3.50	24.16	4.07	26.78	4.69
	29	13.59	2.17	16.22	2.65	18.91	3.18	20.19	3.44	21.47	3.73	24.16	4.35	26.78	5.01
	31	13.59	2.31	16.22	2.82	18.91	3.37	20.19	3.66	21.47	3.97	24.16	4.62	26.78	5.33
	33	13.59	2.44	16.22	2.98	18.91	3.57	20.19	3.88	21.47	4.23	24.16	4.92	26.78	5.68
	35	13.59	2.59	16.22	3.16	18.91	3.78	20.19	4.13	21.47	4.49	24.16	5.24	26.78	6.04
	37	13.59	2.75	16.22	3.34	18.91	4.01	20.19	4.38	21.47	4.76	24.16	5.57	26.78	6.43
	39	13.59	2.89	16.22	3.54	18.91	4.26	20.19	4.64	21.47	5.05	24.16	5.91	26.78	6.84
	41	13.46	3.09	16.08	3.74	18.71	4.52	19.75	4.94	21.30	5.25	23.92	6.20	26.48	7.10
	43	13.15	3.29	15.92	3.95	18.41	4.81	19.45	5.20	20.99	5.53	23.62	6.52	26.17	7.42
	46	12.25	3.53	14.94	4.23	17.43	5.16	18.41	5.51	20.19	5.81	22.75	6.83	25.20	7.69
	48	11.37	3.77	14.00	4.44	16.52	5.45	17.50	5.80	19.15	6.02	22.27	7.12	24.22	7.98
	50	10.46	4.02	13.09	4.66	15.72	5.79	16.69	6.09	18.17	6.30	21.40	7.44	23.32	8.26
	52	9.42	4.26	12.18	4.88	14.73	6.04	15.78	6.38	17.26	6.56	20.42	7.76	22.44	8.47
50%	10	11.37	1.53	13.53	1.77	15.78	2.02	16.82	2.16	17.87	2.28	20.12	2.57	22.34	2.86
	12	11.37	1.54	13.53	1.80	15.78	2.05	16.82	2.17	17.87	2.33	20.12	2.62	22.34	2.91
	14	11.37	1.57	13.53	1.82	15.78	2.08	16.82	2.23	17.87	2.36	20.12	2.66	22.34	2.97
	16	11.37	1.59	13.53	1.84	15.78	2.11	16.82	2.26	17.87	2.40	20.12	2.71	22.34	3.02
	18	11.37	1.61	13.53	1.87	15.78	2.14	16.82	2.29	17.87	2.44	20.12	2.75	22.34	3.07
	19	11.37	1.64	13.53	1.90	15.78	2.17	16.82	2.33	17.87	2.48	20.12	2.80	22.34	3.13
	21	11.37	1.64	13.53	1.91	15.78	2.20	16.82	2.35	17.87	2.51	20.12	2.83	22.34	3.16
	23	11.37	1.67	13.53	1.94	15.78	2.23	16.82	2.40	17.87	2.55	20.12	2.88	22.34	3.23
	25	11.37	1.69	13.53	1.97	15.78	2.28	16.82	2.44	17.87	2.63	20.12	3.03	22.34	3.44
	27	11.37	1.73	13.53	2.05	15.78	2.40	16.82	2.60	17.87	2.80	20.12	3.22	22.34	3.67
	29	11.37	1.82	13.53	2.17	15.78	2.55	16.82	2.76	17.87	2.98	20.12	3.43	22.34	3.92
	31	11.37	1.91	13.53	2.29	15.78	2.73	16.82	2.94	17.87	3.16	20.12	3.64	22.34	4.16
	33	11.37	2.03	13.53	2.43	15.78	2.88	16.82	3.11	17.87	3.35	20.12	3.87	22.34	4.43
	35	11.37	2.14	13.53	2.57	15.78	3.03	16.82	3.29	17.87	3.55	20.12	4.11	22.34	4.70
	37	11.37	2.26	13.53	2.71	15.78	3.22	16.82	3.48	17.87	3.77	20.12	4.36	22.34	4.99
	39	11.37	2.39	13.53	2.86	15.78	3.40	16.82	3.69	17.87	4.00	20.12	4.62	22.34	5.31
	41	11.07	2.53	13.32	3.12	15.48	3.63	16.76	3.89	17.73	4.31	19.95	4.88	22.21	5.57
	43	10.77	2.62	13.02	3.29	15.24	3.85	16.52	4.15	17.43	4.60	19.58	5.14	22.07	5.81
	46	9.86	2.75	12.11	3.55	14.36	4.01	15.72	4.38	16.52	4.89	18.71	5.39	21.17	6.02
	48	9.05	2.98	11.31	3.81	13.46	4.22	14.81	4.58	15.72	5.21	17.80	5.68	20.26	6.33
50	8.21	3.20	10.46	4.06	12.55	4.44	13.15	4.78	14.73	5.53	16.76	5.90	19.45	6.61	
52	7.53	3.29	9.55	4.34	11.51	4.61	12.18	5.02	13.82	5.89	15.72	6.19	18.30	6.89	

7.1.4 ARV-H400/SR1MV

Combination (%)	Outdoor	Indoor temperature(°C)													
		DB:20.8,WB:14		DB:23.3,WB:16		DB:25.8,WB:18		DB:27,WB:19		DB:28.2,WB:20		DB:30.7,WB:22		DB:32,WB:24	
Capacity index	temp. (°CDB)	TC	PI	TC	PI	TC	PI	TC	PI	TC	PI	TC	PI	TC	PI
		kW	kW	kW	kW	kW	kW	kW	kW	kW	kW	kW	kW	kW	kW
130%	10	35.27	4.54	42.06	5.55	48.73	6.59	50.62	6.40	51.27	6.60	52.51	6.33	53.83	6.04
	12	35.27	4.62	42.06	5.65	48.73	6.72	49.9	6.36	50.62	6.56	51.79	6.27	53.11	6.18
	14	35.27	4.71	42.06	5.76	49.38	6.80	49.38	6.34	49.9	6.53	51.27	6.48	52.51	6.54
	16	35.27	4.78	42.06	5.87	48.65	7.54	48.65	6.39	49.17	6.75	50.54	6.82	51.79	6.89
	18	35.27	4.88	42.06	5.99	47.93	7.03	47.93	6.71	48.65	7.11	49.9	7.18	51.27	7.25
	19	35.27	4.99	42.06	6.38	47.32	7.37	47.32	7.04	47.93	7.47	49.17	7.52	50.54	7.60
	21	35.27	5.12	42.06	6.60	47.04	7.55	47.04	7.20	47.69	7.62	48.93	7.71	50.18	7.77
	23	35.27	5.49	42.06	7.09	46.32	7.89	46.32	7.54	46.97	7.97	48.21	8.04	49.46	8.13
	25	35.27	5.86	42.06	7.59	45.8	8.24	45.8	7.87	46.32	8.32	47.69	8.41	48.93	8.49
	27	35.27	6.26	42.06	8.12	45.08	8.62	45.08	8.20	45.64	8.67	46.97	8.77	48.21	8.86
	29	35.27	6.69	42.06	8.67	44.35	8.92	44.35	8.53	45.08	9.03	46.32	9.12	47.69	9.22
	31	35.27	7.14	41.87	9.18	43.75	9.29	43.75	8.82	44.35	9.38	45.64	9.49	46.97	9.59
	33	35.27	7.60	41.14	9.52	43.02	9.62	43.02	9.20	43.75	9.73	45.08	9.84	46.17	9.96
	35	35.27	8.10	40.46	9.87	42.5	9.99	42.5	9.53	43.02	10.09	44.35	10.22	45.64	10.32
	37	35.27	8.62	39.9	10.23	41.78	10.35	41.78	9.87	42.5	10.46	43.67	10.59	44.91	10.69
	39	35.27	9.18	39.21	10.57	41.14	10.69	41.14	10.23	41.78	10.82	43.02	10.94	44.35	11.08
	41	35.08	9.76	38.93	11.02	40.9	11.12	40.9	10.59	41.7	11.22	42.67	11.32	44.2	11.36
	43	34.83	10.39	38.57	11.39	40.54	11.50	40.7	10.97	41.42	11.66	42.3	11.80	43.91	11.87
46	33.67	11.02	37.48	11.67	39.45	11.83	39.66	11.31	40.33	11.98	41.34	12.06	42.87	12.14	
48	32.58	11.92	36.44	11.98	38.48	12.17	38.57	11.62	39.29	12.34	40.26	12.49	41.87	12.60	
50	31.42	12.11	35.27	12.25	37.48	12.49	37.61	12.01	38.13	12.77	39.29	12.90	40.82	12.96	
52	30.37	12.40	34.11	12.53	36.44	12.90	36.6	12.35	36.88	13.10	38.2	13.26	39.45	13.36	
120%	10	32.58	4.14	38.73	5.06	45.08	6.01	48.21	6.17	50.54	6.78	51.71	6.52	52.75	6.26
	12	32.58	4.22	38.73	5.14	45.08	6.12	48.21	6.29	49.81	6.74	50.99	6.48	52.07	6.22
	14	32.58	4.29	38.73	5.25	45.08	6.25	48.21	6.41	49.1	6.69	50.34	6.44	51.51	6.48
	16	32.58	4.38	38.73	5.35	45.08	6.37	47.93	6.46	48.49	6.71	49.66	6.78	50.78	6.83
	18	32.58	4.46	38.73	5.46	45.08	6.59	47.25	6.68	47.77	7.05	48.93	7.12	50.18	7.19
	19	32.58	4.56	38.73	5.69	45.08	7.09	46.6	7.00	47.25	7.40	48.37	7.47	49.46	7.53
	21	32.58	4.59	38.73	5.87	45.08	7.33	46.17	7.18	46.76	7.58	48.05	7.64	49.17	7.73
	23	32.58	4.92	38.73	6.30	45.08	7.86	45.64	7.49	46.17	7.92	47.32	7.99	48.49	8.06
	25	32.58	5.24	38.73	6.74	44.35	8.19	44.91	7.82	45.44	8.25	46.76	8.34	47.93	7.66
	27	32.58	5.60	38.73	7.20	43.75	8.53	44.35	8.16	44.91	8.62	46.08	8.70	47.25	8.78
	29	32.58	5.97	38.73	7.68	43.02	8.88	43.67	8.47	44.2	8.96	45.36	9.06	46.6	9.15
	31	32.58	6.37	38.73	8.21	42.5	9.24	43.02	8.81	43.67	9.32	44.72	10.17	45.88	9.51
	33	32.58	6.78	38.73	8.77	41.78	9.58	42.3	9.14	42.95	9.66	44.03	9.77	45.16	9.87
	35	32.58	7.21	38.73	9.34	41.06	9.92	41.62	9.47	42.3	10.03	43.47	10.13	44.63	10.24
37	32.58	7.68	38.73	9.94	40.46	10.29	41.06	9.82	41.62	10.39	42.74	10.50	43.91	10.61	
39	32.58	8.17	38.57	10.50	39.73	10.63	40.33	10.16	40.9	10.74	42.15	10.86	43.3	10.97	

AUX ARV OUTDOOR UNIT – ARV 6 ALL DC INVERTER T1 50&60HZ

	41	32.42	8.74	38.2	11.02	39.45	11.04	40.01	10.57	40.54	11.19	41.5	11.24	43.11	11.29
	43	32.14	9.19	37.93	11.41	39.29	11.50	39.66	10.97	40.33	11.61	41.14	11.64	42.87	11.75
	46	30.89	9.73	36.8	11.85	38.04	11.98	38.57	11.45	39.29	12.11	40.18	12.20	41.7	12.30
	48	29.73	10.19	35.72	12.23	36.88	12.49	37.48	11.92	38.13	12.65	39.01	12.70	40.46	12.80
	50	28.57	10.64	34.47	12.75	35.72	12.93	36.32	12.36	37.04	13.10	37.85	13.19	39.37	13.27
	52	27.04	11.09	33.22	13.19	34.63	13.36	35.27	12.77	36	13.54	36.8	13.65	38.41	13.72
110%	10	29.81	3.75	35.64	4.57	41.34	5.44	44.2	5.58	47.04	6.33	50.62	6.71	51.79	6.48
	12	29.81	3.83	35.64	4.66	41.34	5.55	44.2	5.70	47.04	6.44	50.1	6.69	51.06	6.44
	14	29.81	3.90	35.64	4.76	41.34	5.65	44.2	5.80	47.04	6.56	49.38	6.69	50.54	6.42
	16	29.81	3.97	35.64	4.84	41.34	5.76	44.2	5.91	47.04	6.69	48.73	6.72	49.81	6.79
	18	29.81	4.05	35.64	4.93	41.34	5.87	44.2	6.06	47.04	7.02	48.05	7.06	49.17	7.14
	19	29.81	4.13	35.64	5.04	41.34	6.22	44.2	6.53	46.32	7.36	47.49	7.42	48.49	7.47
	21	29.81	4.16	35.64	5.19	41.34	6.44	44.2	6.77	46.08	7.53	47.04	7.59	48.21	7.66
	23	29.81	4.36	35.64	5.55	41.34	6.91	44.2	7.25	45.36	7.87	46.52	7.94	47.49	8.02
	25	29.81	4.64	35.64	5.94	41.34	7.40	44.2	7.78	44.72	8.21	45.8	8.29	46.97	8.35
	27	29.81	4.96	35.64	6.36	41.34	7.90	43.47	8.10	44.03	8.55	45.16	8.63	46.17	8.72
	29	29.81	5.28	35.64	6.78	41.34	8.46	42.95	8.43	43.47	8.92	44.47	9.00	45.64	9.07
	31	29.81	5.64	35.64	7.22	41.34	9.02	42.15	8.76	42.74	9.26	43.91	9.34	44.91	9.43
	33	29.81	5.99	35.64	7.71	41.06	9.51	41.62	9.08	42.15	9.60	43.23	9.69	44.35	9.80
	35	29.81	6.38	35.64	8.21	40.46	9.86	40.9	9.42	41.42	9.96	42.5	10.06	43.67	10.15
	37	29.81	6.79	35.64	8.74	39.73	10.22	40.33	9.74	40.7	10.30	41.87	10.42	42.95	10.50
	39	29.81	7.21	35.64	9.31	39.01	10.56	39.66	10.08	40.18	10.66	41.14	10.77	42.3	10.87
	41	29.65	7.58	35.27	9.80	38.85	10.82	39.45	10.44	39.81	11.04	40.82	11.12	41.94	11.23
	43	29.45	7.99	34.99	10.23	38.48	11.14	39.21	10.79	39.53	11.44	40.62	11.55	41.5	11.66
	46	28.4	8.40	33.91	10.69	37.48	11.43	38.04	11.14	38.48	11.87	39.53	12.00	40.46	12.14
	48	27.24	8.82	32.79	11.24	36.32	11.75	36.8	11.55	37.48	12.32	38.48	12.42	39.37	12.56
50	26.07	9.26	31.5	11.80	35.27	12.16	35.72	11.85	36.44	12.67	37.48	12.79	38.41	12.90	
52	24.99	9.66	30.37	12.32	34.03	12.56	34.71	12.19	35.19	12.94	36.24	13.10	37.12	13.30	
100%	10	27.16	3.40	32.3	4.13	37.61	4.88	40.18	5.00	42.74	5.69	48.05	6.44	50.78	6.69
	12	27.16	3.44	32.3	4.19	37.61	4.94	40.18	5.06	42.74	5.80	48.05	6.56	50.1	6.64
	14	27.16	3.50	32.3	4.25	37.61	5.03	40.18	5.16	42.74	5.91	48.05	6.67	49.46	6.59
	16	27.16	3.58	32.3	4.35	37.61	5.14	40.18	5.27	42.74	6.05	47.84	6.82	48.73	6.74
	18	27.16	3.64	32.3	4.45	37.61	5.24	40.18	5.37	42.74	6.15	47.25	6.95	48.21	7.05
	19	27.16	3.72	32.3	4.51	37.61	5.42	40.18	5.67	42.74	6.56	46.52	7.32	47.49	7.42
	21	27.16	3.75	32.3	4.56	37.61	5.60	40.18	5.86	42.74	6.77	46.17	7.56	47.25	7.62
	23	27.16	3.85	32.3	4.87	37.61	6.02	40.18	6.30	42.74	7.29	45.64	8.00	46.52	8.07
	25	27.16	4.09	32.3	5.19	37.61	6.41	40.18	6.70	42.74	7.79	44.91	8.29	45.88	8.37
	27	27.16	4.38	32.3	5.54	37.61	6.87	40.18	7.19	42.74	8.35	44.2	8.59	45.16	8.67
	29	27.16	4.64	32.3	5.91	37.61	7.35	40.18	7.68	42.74	8.86	43.55	9.00	44.55	9.07
	31	27.16	4.93	32.3	6.30	37.61	7.83	40.18	7.89	42.74	9.22	42.59	9.37	43.91	9.45
	33	27.16	5.24	32.3	6.71	37.61	8.35	40	8.68	42.74	9.54	42.43	9.62	43.3	9.73
	35	27.16	5.58	32.3	7.14	37.61	8.91	40	9.20	41.34	9.89	41.62	9.98	42.59	10.07
	37	27.16	5.94	32.3	7.61	37.61	9.49	40	9.69	41.34	10.24	40.98	10.32	41.94	10.42
	39	27.16	6.33	32.3	8.10	37.61	10.09	40	10.18	41.34	10.59	40.46	10.66	40.98	10.76
41	26.95	6.69	32.14	8.46	37.24	10.56	39.81	10.28	41.34	11.01	40.18	11.07	40.7	11.16	

AUX ARV OUTDOOR UNIT – ARV 6 ALL DC INVERTER T1 50&60HZ

	43	26.52	7.08	31.78	8.94	36.88	11.00	39.37	10.60	40.54	11.37	39.9	11.40	40.54	11.50
	46	25.43	7.49	30.61	9.45	35.72	11.55	38.04	11.04	39.45	11.75	38.93	11.80	39.45	11.89
	48	24.27	7.86	29.57	9.88	34.55	12.06	36.88	11.48	38.48	12.11	37.93	12.20	38.48	12.27
	50	23.22	8.25	28.57	10.32	33.39	12.56	35.72	12.00	37.48	12.71	36.88	12.79	37.48	12.90
	52	21.85	8.65	27.24	10.72	32.3	13.08	34.55	12.50	36.32	13.22	35.72	13.26	36.52	13.41
90%	10	24.38	2.96	29.01	3.56	33.83	4.16	36.16	4.46	38.48	5.00	43.23	5.71	47.93	6.48
	12	24.38	3.00	29.01	3.61	33.83	4.22	36.16	4.51	38.48	5.09	43.23	5.83	47.93	6.57
	14	24.38	3.06	29.01	3.67	33.83	4.29	36.16	4.58	38.48	5.19	43.23	5.92	47.93	6.69
	16	24.38	3.12	29.01	3.75	33.83	4.39	36.16	4.70	38.48	5.29	43.23	6.05	47.77	6.81
	18	24.38	3.19	29.01	3.84	33.83	4.48	36.16	4.78	38.48	5.40	43.23	6.20	47.32	7.05
	19	24.38	3.24	29.01	3.89	33.83	4.62	36.16	4.88	38.48	5.62	43.23	6.67	46.52	7.35
	21	24.38	3.28	29.01	3.93	33.83	4.78	36.16	5.04	38.48	5.83	43.23	6.89	46.17	7.52
	23	24.38	3.36	29.01	4.20	33.83	5.14	36.16	5.42	38.48	6.23	43.23	7.40	45.44	7.90
	25	24.38	3.57	29.01	4.47	33.83	5.48	36.16	5.79	38.48	6.67	43.23	7.91	44.91	8.23
	27	24.38	3.82	29.01	4.78	33.83	5.86	36.16	6.17	38.48	7.14	43.23	8.45	44.2	8.60
	29	24.38	4.05	29.01	5.10	33.83	6.27	36.16	6.60	38.48	7.61	42.74	8.86	43.67	8.92
	31	24.38	4.30	29.01	5.43	33.83	6.69	36.16	7.04	38.48	8.12	42.06	9.17	42.95	9.37
	33	24.38	4.57	29.01	5.79	33.83	7.14	36.16	7.49	38.48	8.64	41.42	9.62	42.3	9.62
	35	24.38	4.86	29.01	6.16	33.83	7.61	36.16	7.98	38.48	9.25	40.7	9.89	41.62	9.98
	37	24.38	5.19	29.01	6.56	33.83	8.10	39.45	8.27	38.48	9.89	40.01	10.26	41.06	10.23
	39	24.38	5.52	29.01	6.99	33.83	8.62	38.93	8.54	38.48	10.50	39.45	10.63	40.33	10.60
	41	24.19	5.84	28.85	7.29	33.46	8.92	38.85	8.82	38.2	10.97	39.09	11.02	40.18	11.07
	43	23.82	6.17	28.57	7.62	33.31	9.24	38.57	9.14	37.61	11.27	38.57	11.36	39.9	11.40
	46	22.66	6.51	28.4	7.96	32.22	9.57	37.48	9.39	36.6	11.57	37.48	11.64	38.85	11.67
	48	21.61	6.84	27.24	8.28	31.25	9.92	36.44	9.72	35.43	11.91	36.68	12.00	37.61	12.02
50	20.53	7.19	25.99	8.60	30.09	10.30	35.36	10.08	34.47	12.27	35.72	12.34	36.6	12.42	
52	19.37	7.58	24.99	8.95	28.85	10.61	34.11	10.44	33.22	12.57	34.71	12.64	35.43	12.72	
80%	10	21.7	2.69	25.8	3.22	30.09	3.79	32.14	3.88	34.19	4.38	38.48	5.00	42.59	5.81
	12	21.7	2.73	25.8	3.28	30.09	3.86	32.14	3.95	34.19	4.46	38.48	5.09	42.59	5.76
	14	21.7	2.79	25.8	3.35	30.09	3.93	32.14	4.02	34.19	4.54	38.48	5.18	42.59	5.89
	16	21.7	2.82	25.8	3.40	30.09	4.00	32.14	4.09	34.19	4.62	38.48	5.28	42.59	6.10
	18	21.7	2.88	25.8	3.46	30.09	4.09	32.14	4.18	34.19	4.69	38.48	5.41	42.59	6.53
	19	21.7	2.94	25.8	3.52	30.09	4.16	32.14	4.27	34.19	4.81	38.48	5.60	42.59	6.76
	21	21.7	2.95	25.8	3.56	30.09	4.20	32.14	4.31	34.19	4.92	38.48	5.81	42.59	7.24
	23	21.7	3.01	25.8	3.64	30.09	4.40	32.14	4.58	34.19	5.25	38.48	6.21	42.59	7.75
	25	21.7	3.10	25.8	3.86	30.09	4.71	32.14	4.90	34.19	5.61	38.48	6.65	42.59	8.25
	27	21.7	3.31	25.8	4.11	30.09	5.02	32.14	5.23	34.19	6.02	38.48	7.10	42.59	8.55
	29	21.7	3.52	25.8	4.38	30.09	5.34	32.14	5.56	34.19	6.41	38.48	7.58	42.59	8.86
	31	21.7	3.72	25.8	4.66	30.09	5.69	32.14	5.94	34.19	6.84	38.48	8.09	41.87	9.19
	33	21.7	3.97	25.8	5.19	30.09	6.06	32.14	6.32	34.19	7.29	38.48	8.62	41.34	9.52
	35	21.7	4.20	25.8	5.32	30.09	6.44	32.14	6.74	34.19	7.75	38.48	9.20	40.62	9.86
	37	21.7	4.46	25.8	5.59	30.09	6.86	31.62	7.18	34.19	8.25	38.48	9.80	40.01	10.23
	39	21.7	4.72	25.8	5.92	30.09	7.29	31.17	7.64	34.19	8.80	38.48	10.44	39.29	10.61
	41	21.41	5.06	25.55	6.26	29.89	7.61	30.82	7.91	33.91	9.09	38.2	10.73	39.01	11.00
43	21.17	5.34	25.07	6.57	29.81	7.92	30.45	8.25	33.59	9.52	37.85	11.07	38.85	11.39	

AUX ARV OUTDOOR UNIT – ARV 6 ALL DC INVERTER T1 50&60HZ

	46	20.01	5.66	24.1	6.92	28.64	8.28	29.45	8.59	32.5	9.85	36.8	11.39	37.61	11.72
	48	18.92	6.04	22.86	7.25	27.68	8.53	28.12	8.82	31.42	10.26	35.72	11.79	36.6	12.06
	50	17.83	6.40	21.7	7.59	26.6	8.87	26.95	9.14	30.37	9.88	34.71	12.13	35.43	12.35
	52	16.72	6.75	20.61	7.84	24.38	9.22	25.99	9.39	29.09	10.23	33.46	12.53	34.39	12.74
70%	10	19	2.37	22.58	2.81	26.35	3.28	28.12	3.35	29.89	3.79	33.67	4.29	37.33	4.82
	12	19	2.40	22.58	2.86	26.35	3.35	28.12	3.41	29.89	3.85	33.67	4.38	37.33	4.92
	14	19	2.44	22.58	2.91	26.35	3.40	28.12	3.47	29.89	3.92	33.67	4.46	37.33	5.02
	16	19	2.48	22.58	2.95	26.35	3.46	28.12	3.54	29.89	3.99	33.67	4.54	37.33	5.11
	18	19	2.52	22.58	3.01	26.35	3.52	28.12	3.60	29.89	4.06	33.67	4.63	37.33	5.21
	19	19	2.56	22.58	3.06	26.35	3.59	28.12	3.66	29.89	4.14	33.67	4.72	37.33	5.35
	21	19	2.58	22.58	3.09	26.35	3.62	28.12	3.71	29.89	4.19	33.67	4.78	37.33	5.55
	23	19	2.63	22.58	3.15	26.35	3.70	28.12	3.84	29.89	4.39	33.67	5.13	37.33	5.94
	25	19	2.69	22.58	3.28	26.35	3.93	28.12	4.09	29.89	4.69	33.67	5.49	37.33	6.36
	27	19	2.84	22.58	3.49	26.35	4.20	28.12	4.36	29.89	5.00	33.67	5.86	37.33	7.56
	29	19	3.01	22.58	3.70	26.35	4.47	28.12	4.64	29.89	5.33	33.67	6.25	37.33	7.25
	31	19	3.19	22.58	3.93	26.35	4.77	28.12	4.93	29.89	5.66	33.67	6.65	37.33	7.74
	33	19	3.38	22.58	4.20	26.35	5.06	28.12	5.26	29.89	6.04	33.67	7.10	37.33	8.25
	35	19	3.58	22.58	4.47	26.35	5.37	28.12	5.59	29.89	6.42	33.67	7.56	37.33	8.79
	37	19	3.79	22.58	4.77	26.35	5.71	28.12	5.95	29.89	6.83	33.67	8.04	37.33	9.37
	39	19	4.00	22.58	5.06	26.35	6.06	28.12	6.31	29.89	7.25	33.67	8.55	37.33	9.97
	41	18.76	4.27	22.34	5.34	26.07	6.41	27.84	6.67	29.65	7.61	33.46	8.85	37.04	10.30
	43	18.4	4.52	21.98	5.66	25.87	6.75	27.68	6.97	29.37	7.97	33.22	9.12	36.68	10.64
	46	17.31	4.82	20.89	6.05	24.83	7.08	26.35	7.23	28.21	8.34	32.22	9.45	35.72	11.09
	48	16.35	5.11	19.73	6.41	23.58	7.42	25.27	7.53	27.24	8.77	31.25	9.80	34.55	11.50
50	15.27	5.34	18.76	6.74	22.5	7.72	24.19	7.77	26.15	9.15	30.09	10.20	33.46	11.98	
52	14.3	5.67	17.4	7.11	21.41	8.04	23.22	8.03	24.99	9.54	28.92	10.54	32.5	12.45	
60%	10	16.23	2.06	19.37	2.42	22.58	2.80	24.1	2.85	25.63	3.20	28.85	3.62	31.98	4.06
	12	16.23	2.09	19.37	2.44	22.58	2.86	24.1	2.90	25.63	3.26	28.85	3.69	31.98	4.13
	14	16.23	2.12	19.37	2.49	22.58	2.88	24.1	2.94	25.63	3.31	28.85	3.75	31.98	4.20
	16	16.23	2.16	19.37	2.53	22.58	2.94	24.1	2.99	25.63	3.36	28.85	3.82	31.98	4.29
	18	16.23	2.18	19.37	2.58	22.58	3.00	24.1	3.05	25.63	3.43	28.85	3.89	31.98	4.36
	19	16.23	2.22	19.37	2.63	22.58	3.06	24.1	3.11	25.63	3.50	28.85	3.97	31.98	4.46
	21	16.23	2.24	19.37	2.64	22.58	3.08	24.1	3.15	25.63	3.52	28.85	4.00	31.98	4.49
	23	16.23	2.26	19.37	2.69	22.58	3.13	24.1	3.20	25.63	3.59	28.85	4.16	31.98	4.78
	25	16.23	2.31	19.37	2.74	22.58	3.26	24.1	3.35	25.63	3.82	28.85	4.45	31.98	5.11
	27	16.23	2.40	19.37	2.91	22.58	3.46	24.1	3.58	25.63	4.07	28.85	4.73	31.98	5.45
	29	16.23	2.53	19.37	3.08	22.58	3.69	24.1	3.80	25.63	4.34	28.85	5.06	31.98	5.83
	31	16.23	2.69	19.37	3.28	22.58	3.92	24.1	4.04	25.63	4.62	28.85	5.37	31.98	6.19
	33	16.23	2.84	19.37	3.46	22.58	4.15	24.1	4.28	25.63	4.92	28.85	5.71	31.98	6.60
	35	16.23	3.01	19.37	3.67	22.58	4.40	24.1	4.56	25.63	5.21	28.85	6.09	31.98	7.03
	37	16.23	3.19	19.37	3.89	22.58	4.66	24.1	4.84	25.63	5.54	28.85	6.48	31.98	7.47
	39	16.23	3.36	19.37	4.11	22.58	4.95	24.1	5.12	25.63	5.87	28.85	6.87	31.98	7.96
	41	16.07	3.59	19.2	4.35	22.34	5.25	23.58	5.46	25.43	6.10	28.57	7.21	31.62	8.25
	43	15.71	3.82	19	4.59	21.98	5.59	23.22	5.74	25.07	6.42	28.21	7.58	31.25	8.62
46	14.62	4.11	17.83	4.92	20.81	5.99	21.98	6.09	24.1	6.75	27.16	7.94	30.09	8.94	

AUX ARV OUTDOOR UNIT – ARV 6 ALL DC INVERTER T1 50&60HZ

	48	13.57	4.38	16.72	5.16	19.73	6.33	20.89	6.40	22.86	6.99	26.6	8.28	28.92	9.28
	50	12.49	4.67	15.63	5.41	18.76	6.74	19.93	6.73	21.7	7.32	25.55	8.65	27.84	9.60
	52	11.25	4.95	14.54	5.67	17.59	7.03	18.84	7.04	20.61	7.62	24.38	9.02	26.8	9.84
50%	10	13.57	1.78	16.15	2.06	18.84	2.36	20.08	2.38	21.33	2.65	24.02	2.99	26.67	3.32
	12	13.57	1.80	16.15	2.09	18.84	2.38	20.08	2.40	21.33	2.71	24.02	3.04	26.67	3.38
	14	13.57	1.82	16.15	2.12	18.84	2.42	20.08	2.45	21.33	2.74	24.02	3.09	26.67	3.46
	16	13.57	1.86	16.15	2.14	18.84	2.44	20.08	2.50	21.33	2.79	24.02	3.15	26.67	3.50
	18	13.57	1.87	16.15	2.18	18.84	2.49	20.08	2.53	21.33	2.84	24.02	3.20	26.67	3.57
	19	13.57	1.90	16.15	2.21	18.84	2.53	20.08	2.58	21.33	2.88	24.02	3.26	26.67	3.64
	21	13.57	1.91	16.15	2.23	18.84	2.56	20.08	2.60	21.33	2.92	24.02	3.29	26.67	3.67
	23	13.57	1.94	16.15	2.26	18.84	2.59	20.08	2.65	21.33	2.97	24.02	3.35	26.67	3.75
	25	13.57	1.96	16.15	2.30	18.84	2.65	20.08	2.70	21.33	3.06	24.02	3.52	26.67	4.00
	27	13.57	2.01	16.15	2.38	18.84	2.80	20.08	2.87	21.33	3.26	24.02	3.74	26.67	4.27
	29	13.57	2.12	16.15	2.52	18.84	2.97	20.08	3.05	21.33	3.46	24.02	3.99	26.67	4.56
	31	13.57	2.23	16.15	2.66	18.84	3.17	20.08	3.24	21.33	3.67	24.02	4.23	26.67	4.84
	33	13.57	2.37	16.15	2.82	18.84	3.35	20.08	3.43	21.33	3.90	24.02	4.49	26.67	5.14
	35	13.57	2.49	16.15	2.99	18.84	3.52	20.08	3.63	21.33	4.13	24.02	4.78	26.67	5.46
	37	13.57	2.63	16.15	3.15	18.84	3.74	20.08	3.85	21.33	4.38	24.02	5.06	26.67	5.81
	39	13.57	2.78	16.15	3.32	18.84	3.96	20.08	4.07	21.33	4.64	24.02	5.37	26.67	6.17
	41	13.22	2.94	15.91	3.62	18.48	4.22	20.01	4.30	21.17	5.01	23.82	5.67	26.52	6.48
	43	12.86	3.04	15.54	3.82	18.2	4.48	19.73	4.58	20.81	5.34	23.38	5.98	26.35	6.75
	46	11.77	3.20	14.47	4.13	17.15	4.66	18.76	4.84	19.73	5.69	22.34	6.26	25.27	6.99
	48	10.81	3.46	13.5	4.43	16.07	4.90	17.68	5.06	18.76	6.06	21.26	6.60	24.19	7.36
50	9.8	3.72	12.49	4.72	14.99	5.16	15.71	5.28	17.59	6.42	20.01	6.86	23.22	7.68	
52	9	3.82	11.41	5.05	13.74	5.36	14.54	5.55	16.51	6.85	18.76	7.19	21.85	8.02	

7.1.5 ARV-H450/SR1MV

Combination (%)	Outdoor	Indoor temperature(°C)													
		DB:20.8,WB:14		DB:23.3,WB:16		DB:25.8,WB:18		DB:27,WB:19		DB:28.2,WB:20		DB:30.7,WB:22		DB:32,WB:24	
Capacity index	temp. (°CDB)	TC	PI	TC	PI	TC	PI	TC	PI	TC	PI	TC	PI	TC	PI
		kW	kW	kW	kW	kW	kW	kW	kW	kW	kW	kW	kW	kW	kW
130%	10	39.68	5.34	47.32	6.53	54.83	7.74	56.95	7.92	57.67	7.76	59.07	7.43	60.56	7.09
	12	39.68	5.43	47.32	6.65	54.83	7.90	56.14	7.86	56.95	7.72	58.26	7.38	59.75	7.26
	14	39.68	5.55	47.32	6.76	55.55	7.99	55.55	7.84	56.14	7.67	57.67	7.61	59.07	7.68
	16	39.68	5.62	47.32	6.90	54.73	8.86	54.73	7.90	55.32	7.94	56.85	8.02	58.26	8.09
	18	39.68	5.74	47.32	7.05	53.92	8.26	53.92	8.30	54.73	8.35	56.14	8.43	57.67	8.51
	19	39.68	5.86	47.32	7.50	53.24	8.67	53.24	8.72	53.92	8.77	55.32	8.84	56.85	8.93
	21	39.68	6.01	47.32	7.76	52.92	8.88	52.92	8.92	53.65	8.96	55.05	9.05	56.45	9.14
	23	39.68	6.45	47.32	8.33	52.11	9.27	52.11	9.32	52.84	9.37	54.23	9.46	55.64	9.56
	25	39.68	6.88	47.32	8.92	51.53	9.68	51.53	9.73	52.11	9.79	53.65	9.89	55.05	9.98
	27	39.68	7.36	47.32	9.55	50.71	10.13	50.71	10.14	51.34	10.19	52.84	10.31	54.23	10.41
	29	39.68	7.86	47.32	10.19	49.9	10.49	49.9	10.55	50.71	10.62	52.11	10.73	53.65	10.84
	31	39.68	8.39	47.1	10.79	49.22	10.92	49.22	10.92	49.9	11.02	51.34	11.15	52.84	11.28
	33	39.68	8.93	46.28	11.20	48.4	11.31	48.4	11.38	49.22	11.44	50.71	11.57	51.94	11.71
	35	39.68	9.52	45.51	11.61	47.82	11.74	47.82	11.80	48.4	11.86	49.9	12.00	51.34	12.14
	37	39.68	10.13	44.88	12.02	47	12.16	47	12.22	47.82	12.29	49.13	12.45	50.52	12.56
	39	39.68	10.79	44.11	12.42	46.28	12.56	46.28	12.65	47	12.72	48.4	12.86	49.9	13.02
	41	39.46	11.47	43.8	12.96	46.01	13.06	46.01	13.10	46.91	13.19	48	13.30	49.72	13.36
	43	39.18	12.22	43.39	13.38	45.61	13.51	45.78	13.58	46.6	13.71	47.59	13.87	49.4	13.96
46	37.87	12.96	42.17	13.71	44.39	13.90	44.61	14.00	45.37	14.08	46.51	14.17	48.23	14.27	
48	36.65	14.01	40.99	14.08	43.3	14.30	43.39	14.37	44.2	14.49	45.29	14.69	47.1	14.81	
50	35.35	14.23	39.68	14.40	42.17	14.69	42.31	14.87	42.89	15.00	44.2	15.16	45.92	15.23	
52	34.17	14.57	38.37	14.73	40.99	15.16	41.17	15.27	41.49	15.40	42.98	15.58	44.39	15.71	
120%	10	36.65	4.87	43.57	5.95	50.71	7.07	54.23	7.63	56.85	7.97	58.17	7.66	59.34	7.36
	12	36.65	4.96	43.57	6.05	50.71	7.20	54.23	7.78	56.04	7.92	57.36	7.63	58.57	7.31
	14	36.65	5.04	43.57	6.17	50.71	7.35	54.23	7.94	55.24	7.86	56.63	7.57	57.94	7.63
	16	36.65	5.15	43.57	6.29	50.71	7.49	53.92	7.99	54.55	7.89	55.87	7.97	57.12	8.03
	18	36.65	5.24	43.57	6.42	50.71	7.74	53.15	8.26	53.74	8.29	55.05	8.38	56.45	8.46
	19	36.65	5.36	43.57	6.68	50.71	8.33	52.43	8.67	53.15	8.71	54.42	8.78	55.64	8.84
	21	36.65	5.39	43.57	6.90	50.71	8.62	51.94	8.88	52.61	8.91	54.06	8.98	55.32	9.08
	23	36.65	5.78	43.57	7.41	50.71	9.24	51.34	9.26	51.94	9.31	53.24	9.39	54.55	9.47
	25	36.65	6.15	43.57	7.92	49.9	9.63	50.52	9.67	51.12	9.70	52.61	9.80	53.92	9.00
	27	36.65	6.58	43.57	8.47	49.22	10.02	49.9	10.09	50.52	10.13	51.84	10.22	53.15	10.32
	29	36.65	7.01	43.57	9.03	48.4	10.44	49.13	10.49	49.72	10.54	51.03	10.65	52.43	10.75
	31	36.65	7.49	43.57	9.65	47.82	10.85	48.4	10.90	49.13	10.96	50.3	11.96	51.61	11.18
33	36.65	7.97	43.57	10.31	47	11.26	47.59	11.31	48.31	11.36	49.54	11.49	50.8	11.61	
35	36.65	8.48	43.57	10.98	46.19	11.66	46.82	11.72	47.59	11.79	48.91	11.90	50.21	12.04	
37	36.65	9.03	43.57	11.69	45.51	12.09	46.19	12.15	46.82	12.22	48.09	12.34	49.4	12.48	
39	36.65	9.60	43.39	12.34	44.7	12.50	45.37	12.56	46.01	12.63	47.41	12.76	48.72	12.89	

AUX ARV OUTDOOR UNIT – ARV 6 ALL DC INVERTER T1 50&60HZ

	41	36.48	10.27	42.98	12.96	44.39	12.98	45.01	13.07	45.61	13.15	46.69	13.21	48.5	13.27
	43	36.16	10.80	42.67	13.41	44.2	13.51	44.61	13.58	45.37	13.65	46.28	13.69	48.23	13.81
	46	34.76	11.43	41.4	13.92	42.8	14.08	43.39	14.17	44.2	14.23	45.2	14.34	46.91	14.46
	48	33.45	11.97	40.19	14.37	41.49	14.67	42.17	14.76	42.89	14.88	43.89	14.93	45.51	15.05
	50	32.14	12.50	38.77	14.99	40.19	15.20	40.86	15.30	41.67	15.40	42.58	15.50	44.29	15.59
	52	30.42	13.04	37.38	15.50	38.96	15.71	39.68	15.81	40.5	15.91	41.4	16.05	43.21	16.12
110%	10	33.54	4.40	40.09	5.37	46.51	6.40	49.72	6.90	52.92	7.43	56.95	7.89	58.26	7.63
	12	33.54	4.50	40.09	5.48	46.51	6.53	49.72	7.05	52.92	7.57	56.36	7.86	57.45	7.57
	14	33.54	4.59	40.09	5.58	46.51	6.65	49.72	7.18	52.92	7.72	55.55	7.86	56.85	7.55
	16	33.54	4.66	40.09	5.68	46.51	6.76	49.72	7.31	52.92	7.86	54.83	7.90	56.04	7.98
	18	33.54	4.76	40.09	5.79	46.51	6.90	49.72	7.51	52.92	8.25	54.06	8.30	55.32	8.39
	19	33.54	4.85	40.09	5.92	46.51	7.31	49.72	8.07	52.11	8.65	53.42	8.72	54.55	8.79
	21	33.54	4.90	40.09	6.10	46.51	7.57	49.72	8.38	51.84	8.84	52.92	8.92	54.23	9.00
	23	33.54	5.13	40.09	6.53	46.51	8.12	49.72	8.98	51.03	9.25	52.34	9.33	53.42	9.42
	25	33.54	5.46	40.09	6.98	46.51	8.69	49.72	9.63	50.3	9.65	51.53	9.74	52.84	9.82
	27	33.54	5.83	40.09	7.47	46.51	9.29	48.91	10.02	49.54	10.05	50.8	10.14	51.94	10.25
	29	33.54	6.22	40.09	7.97	46.51	9.94	48.31	10.44	48.91	10.48	50.03	10.57	51.34	10.66
	31	33.54	6.63	40.09	8.49	46.51	10.61	47.41	10.84	48.09	10.88	49.4	10.98	50.52	11.08
	33	33.54	7.05	40.09	9.05	46.19	11.18	46.82	11.23	47.41	11.29	48.64	11.40	49.9	11.51
	35	33.54	7.50	40.09	9.65	45.51	11.59	46.01	11.64	46.6	11.71	47.82	11.83	49.13	11.93
	37	33.54	7.98	40.09	10.27	44.7	12.00	45.37	12.06	45.78	12.11	47.1	12.24	48.31	12.34
	39	33.54	8.48	40.09	10.94	43.89	12.41	44.61	12.48	45.2	12.53	46.28	12.65	47.59	12.79
	41	33.35	8.91	39.68	11.51	43.7	12.71	44.39	12.93	44.79	12.98	45.92	13.07	47.19	13.20
	43	33.13	9.39	39.37	12.02	43.3	13.08	44.11	13.35	44.47	13.46	45.7	13.58	46.69	13.71
	46	31.95	9.88	38.14	12.56	42.17	13.44	42.8	13.79	43.3	13.95	44.47	14.10	45.51	14.26
	48	30.64	10.37	36.89	13.21	40.86	13.81	41.4	14.29	42.17	14.48	43.3	14.61	44.29	14.76
50	29.33	10.88	35.44	13.87	39.68	14.29	40.19	14.67	40.99	14.88	42.17	15.04	43.21	15.16	
52	28.11	11.35	34.17	14.48	38.28	14.76	39.05	15.08	39.59	15.21	40.77	15.40	41.76	15.63	
100%	10	30.56	3.99	36.34	4.85	42.31	5.74	45.2	6.19	48.09	6.68	54.06	7.57	56.36	7.86
	12	30.56	4.06	36.34	4.92	42.31	5.80	45.2	6.27	48.09	6.82	54.06	7.71	56.36	7.81
	14	30.56	4.12	36.34	5.00	42.31	5.91	45.2	6.39	48.09	6.94	54.06	7.84	55.64	7.74
	16	30.56	4.21	36.34	5.12	42.31	6.05	45.2	6.53	48.09	7.10	53.82	8.02	54.83	7.92
	18	30.56	4.28	36.34	5.23	42.31	6.16	45.2	6.65	48.09	7.23	53.15	8.17	54.23	8.29
	19	30.56	4.38	36.34	5.31	42.31	6.37	45.2	7.01	48.09	7.71	52.34	8.60	53.42	8.72
	21	30.56	4.40	36.34	5.36	42.31	6.58	45.2	7.25	48.09	7.95	51.94	8.88	53.15	8.96
	23	30.56	4.52	36.34	5.72	42.31	7.08	45.2	7.80	48.09	8.57	51.34	9.40	52.34	9.49
	25	30.56	4.81	36.34	6.10	42.31	7.53	45.2	8.29	48.09	9.15	50.52	9.74	51.61	9.84
	27	30.56	5.15	36.34	6.51	42.31	8.07	45.2	8.90	48.09	9.82	49.72	10.09	50.8	10.18
	29	30.56	5.45	36.34	6.96	42.31	8.64	45.2	9.24	48.09	10.41	49	10.57	50.12	10.66
	31	30.56	5.79	36.34	7.41	42.31	8.83	45	9.34	48.09	10.83	47.91	11.00	49.4	11.10
	33	30.56	6.16	36.34	8.44	42.31	9.18	45	9.84	48.09	10.94	47.73	11.31	48.72	11.43
	35	30.56	6.56	36.34	9.31	42.31	10.47	45	10.82	46.51	11.63	46.82	11.73	47.91	11.83
	37	30.56	6.98	36.34	9.38	42.31	11.15	45	11.98	46.51	12.04	46.1	12.14	47.19	12.24
	39	30.56	7.43	36.34	9.52	42.31	11.86	45	12.38	46.51	12.45	45.51	12.53	46.1	12.65
41	30.32	7.86	36.16	9.94	41.9	12.41	44.79	12.71	46.51	12.94	45.2	13.00	45.78	13.12	

AUX ARV OUTDOOR UNIT – ARV 6 ALL DC INVERTER T1 50&60HZ

	43	29.83	8.32	35.75	10.51	41.49	12.93	44.29	13.12	45.61	13.37	44.88	13.39	45.61	13.51
	46	28.61	8.81	34.44	11.10	40.19	13.58	42.8	13.66	44.39	13.81	43.8	13.87	44.39	13.98
	48	27.3	9.24	33.26	11.62	38.87	14.17	41.49	14.20	43.3	14.23	42.67	14.34	43.3	14.42
	50	26.12	9.70	32.14	12.14	37.56	14.76	40.19	14.85	42.17	14.95	41.49	15.04	42.17	15.16
	52	24.59	10.17	30.64	12.61	36.34	15.38	38.87	15.47	40.86	15.53	40.19	15.58	41.09	15.75
90%	10	27.43	3.49	32.63	4.17	38.06	4.90	40.68	5.52	43.3	5.88	48.64	6.72	53.92	7.63
	12	27.43	3.52	32.63	4.24	38.06	4.96	40.68	5.58	43.3	5.98	48.64	6.85	53.92	7.73
	14	27.43	3.59	32.63	4.31	38.06	5.04	40.68	5.67	43.3	6.10	48.64	6.96	53.92	7.85
	16	27.43	3.66	32.63	4.40	38.06	5.16	40.68	5.80	43.3	6.22	48.64	7.11	53.74	8.00
	18	27.43	3.75	32.63	4.51	38.06	5.26	40.68	5.91	43.3	6.35	48.64	7.29	53.24	8.29
	19	27.43	3.81	32.63	4.57	38.06	5.43	40.68	6.03	43.3	6.60	48.64	7.84	52.34	8.64
	21	27.43	3.85	32.63	4.62	38.06	5.62	40.68	6.23	43.3	6.85	48.64	8.09	51.94	8.84
	23	27.43	3.95	32.63	4.93	38.06	6.05	40.68	6.71	43.3	7.32	48.64	8.71	51.12	9.29
	25	27.43	4.20	32.63	5.25	38.06	6.44	40.68	7.16	43.3	7.84	48.64	9.30	50.52	9.67
	27	27.43	4.49	32.63	5.61	38.06	6.89	40.68	7.63	43.3	8.39	48.64	9.92	49.72	10.10
	29	27.43	4.76	32.63	6.00	38.06	7.38	40.68	8.17	43.3	8.95	48.09	10.41	49.13	10.49
	31	27.43	5.05	32.63	6.39	38.06	7.86	40.68	8.71	43.3	9.55	47.32	10.78	48.31	11.00
	33	27.43	5.37	32.63	6.80	38.06	8.39	40.68	9.26	43.3	10.16	46.6	11.31	47.59	11.31
	35	27.43	5.72	32.63	7.24	38.06	8.94	40.68	9.88	43.3	10.87	45.78	11.63	46.82	11.73
	37	27.43	6.10	32.63	7.71	38.06	9.52	44.39	10.23	43.3	11.63	45.01	12.06	46.19	12.02
	39	27.43	6.49	32.63	8.21	38.06	10.13	43.8	10.57	43.3	12.34	44.39	12.50	45.37	12.46
	41	27.21	6.86	32.45	8.57	37.65	10.49	43.7	10.92	42.98	12.89	43.98	12.96	45.2	13.00
	43	26.8	7.25	32.14	8.96	37.47	10.87	43.39	11.31	42.31	13.25	43.39	13.36	44.88	13.39
	46	25.49	7.64	31.95	9.36	36.25	11.24	42.17	11.63	41.17	13.59	42.17	13.69	43.7	13.71
	48	24.31	8.04	30.64	9.73	35.16	11.66	40.99	12.02	39.86	14.00	41.27	14.10	42.31	14.13
50	23.09	8.46	29.24	10.10	33.86	12.10	39.78	12.48	38.77	14.42	40.19	14.49	41.17	14.60	
52	21.79	8.91	28.11	10.53	32.45	12.48	38.37	12.91	37.38	14.77	39.05	14.87	39.86	14.96	
80%	10	24.41	3.16	29.02	3.78	33.86	4.45	36.16	4.80	38.46	5.15	43.3	5.88	47.91	6.82
	12	24.41	3.21	29.02	3.85	33.86	4.53	36.16	4.90	38.46	5.24	43.3	5.98	47.91	6.76
	14	24.41	3.28	29.02	3.94	33.86	4.62	36.16	4.98	38.46	5.34	43.3	6.09	47.91	6.92
	16	24.41	3.32	29.02	3.99	33.86	4.71	36.16	5.06	38.46	5.43	43.3	6.22	47.91	7.18
	18	24.41	3.39	29.02	4.07	33.86	4.81	36.16	5.17	38.46	5.50	43.3	6.37	47.91	7.67
	19	24.41	3.45	29.02	4.14	33.86	4.90	36.16	5.27	38.46	5.65	43.3	6.58	47.91	7.95
	21	24.41	3.47	29.02	4.17	33.86	4.93	36.16	5.34	38.46	5.78	43.3	6.82	47.91	8.50
	23	24.41	3.54	29.02	4.27	33.86	5.17	36.16	5.67	38.46	6.17	43.3	7.30	47.91	9.11
	25	24.41	3.64	29.02	4.53	33.86	5.55	36.16	6.06	38.46	6.59	43.3	7.82	47.91	9.70
	27	24.41	3.89	29.02	4.83	33.86	5.90	36.16	6.46	38.46	7.08	43.3	8.34	47.91	10.05
	29	24.41	4.14	29.02	5.15	33.86	6.28	36.16	6.88	38.46	7.54	43.3	8.91	47.91	10.41
	31	24.41	4.38	29.02	5.47	33.86	6.68	36.16	7.35	38.46	8.04	43.3	9.51	47.1	10.80
	33	24.41	4.66	29.02	6.10	33.86	7.12	36.16	7.82	38.46	8.57	43.3	10.13	46.51	11.19
	35	24.41	4.93	29.02	6.25	33.86	7.57	36.16	8.34	38.46	9.12	43.3	10.82	45.7	11.59
	37	24.41	5.24	29.02	6.57	33.86	8.06	35.57	8.88	38.46	9.70	43.3	11.52	45.01	12.02
	39	24.41	5.55	29.02	6.96	33.86	8.57	35.07	9.46	38.46	10.34	43.3	12.28	44.2	12.48
	41	24.09	5.95	28.75	7.36	33.62	8.94	34.67	9.79	38.14	10.69	42.98	12.61	43.89	12.93
43	23.82	6.28	28.2	7.73	33.54	9.31	34.26	10.22	37.79	11.20	42.58	13.00	43.7	13.38	

AUX ARV OUTDOOR UNIT – ARV 6 ALL DC INVERTER T1 50&60HZ

	46	22.51	6.65	27.12	8.14	32.22	9.73	33.13	10.62	36.56	11.58	41.4	13.38	42.31	13.78
	48	21.29	7.09	25.72	8.51	31.14	10.03	31.64	10.92	35.35	12.06	40.19	13.86	41.17	14.17
	50	20.06	7.52	24.41	8.92	29.92	10.42	30.32	11.31	34.17	11.62	39.05	14.25	39.86	14.51
	52	18.8	7.94	23.19	9.22	27.43	10.83	29.24	11.63	32.72	12.02	37.65	14.73	38.69	14.97
70%	10	21.38	2.79	25.4	3.30	29.65	3.85	31.64	4.14	33.62	4.45	37.87	5.04	41.99	5.67
	12	21.38	2.82	25.4	3.35	29.65	3.94	31.64	4.22	33.62	4.52	37.87	5.15	41.99	5.79
	14	21.38	2.87	25.4	3.41	29.65	3.99	31.64	4.28	33.62	4.60	37.87	5.24	41.99	5.90
	16	21.38	2.91	25.4	3.47	29.65	4.07	31.64	4.38	33.62	4.69	37.87	5.34	41.99	6.01
	18	21.38	2.97	25.4	3.54	29.65	4.14	31.64	4.45	33.62	4.76	37.87	5.44	41.99	6.13
	19	21.38	3.00	25.4	3.60	29.65	4.22	31.64	4.53	33.62	4.87	37.87	5.55	41.99	6.29
	21	21.38	3.04	25.4	3.63	29.65	4.26	31.64	4.59	33.62	4.92	37.87	5.61	41.99	6.53
	23	21.38	3.09	25.4	3.70	29.65	4.35	31.64	4.74	33.62	5.16	37.87	6.02	41.99	6.98
	25	21.38	3.16	25.4	3.85	29.65	4.62	31.64	5.06	33.62	5.50	37.87	6.45	41.99	7.47
	27	21.38	3.33	25.4	4.09	29.65	4.93	31.64	5.39	33.62	5.88	37.87	6.88	41.99	8.88
	29	21.38	3.54	25.4	4.35	29.65	5.25	31.64	5.75	33.62	6.26	37.87	7.35	41.99	8.53
	31	21.38	3.75	25.4	4.62	29.65	5.60	31.64	6.11	33.62	6.65	37.87	7.82	41.99	9.09
	33	21.38	3.97	25.4	4.93	29.65	5.96	31.64	6.51	33.62	7.09	37.87	8.34	41.99	9.70
	35	21.38	4.21	25.4	5.25	29.65	6.32	31.64	6.92	33.62	7.55	37.87	8.88	41.99	10.33
	37	21.38	4.45	25.4	5.60	29.65	6.72	31.64	7.36	33.62	8.03	37.87	9.46	41.99	11.00
	39	21.38	4.71	25.4	5.96	29.65	7.12	31.64	7.81	33.62	8.53	37.87	10.05	41.99	11.72
	41	21.11	5.02	25.13	6.28	29.33	7.53	31.32	8.25	33.35	8.94	37.65	10.40	41.67	12.11
	43	20.7	5.32	24.72	6.65	29.11	7.94	31.14	8.62	33.04	9.37	37.38	10.73	41.27	12.50
	46	19.48	5.67	23.5	7.11	27.93	8.32	29.65	8.94	31.73	9.80	36.25	11.10	40.19	13.04
	48	18.4	6.01	22.19	7.53	26.53	8.72	28.43	9.31	30.64	10.31	35.16	11.51	38.87	13.51
50	17.17	6.28	21.11	7.92	25.31	9.07	27.21	9.61	29.42	10.75	33.86	11.98	37.65	14.08	
52	16.09	6.66	19.57	8.35	24.09	9.46	26.12	9.94	28.11	11.21	32.54	12.39	36.56	14.63	
60%	10	18.26	2.43	21.79	2.85	25.4	3.29	27.12	3.52	28.84	3.76	32.45	4.26	35.98	4.76
	12	18.26	2.46	21.79	2.87	25.4	3.35	27.12	3.59	28.84	3.83	32.45	4.34	35.98	4.85
	14	18.26	2.49	21.79	2.93	25.4	3.39	27.12	3.64	28.84	3.90	32.45	4.40	35.98	4.93
	16	18.26	2.54	21.79	2.98	25.4	3.46	27.12	3.70	28.84	3.95	32.45	4.49	35.98	5.04
	18	18.26	2.56	21.79	3.03	25.4	3.52	27.12	3.77	28.84	4.04	32.45	4.57	35.98	5.13
	19	18.26	2.60	21.79	3.09	25.4	3.59	27.12	3.85	28.84	4.12	32.45	4.66	35.98	5.24
	21	18.26	2.64	21.79	3.10	25.4	3.62	27.12	3.89	28.84	4.14	32.45	4.71	35.98	5.29
	23	18.26	2.66	21.79	3.16	25.4	3.68	27.12	3.95	28.84	4.22	32.45	4.90	35.98	5.62
	25	18.26	2.72	21.79	3.23	25.4	3.83	27.12	4.14	28.84	4.49	32.45	5.23	35.98	6.01
	27	18.26	2.82	21.79	3.41	25.4	4.07	27.12	4.43	28.84	4.79	32.45	5.57	35.98	6.41
	29	18.26	2.98	21.79	3.62	25.4	4.34	27.12	4.71	28.84	5.10	32.45	5.95	35.98	6.85
	31	18.26	3.16	21.79	3.85	25.4	4.60	27.12	5.00	28.84	5.43	32.45	6.32	35.98	7.28
	33	18.26	3.33	21.79	4.07	25.4	4.88	27.12	5.31	28.84	5.78	32.45	6.72	35.98	7.76
	35	18.26	3.54	21.79	4.31	25.4	5.17	27.12	5.65	28.84	6.13	32.45	7.16	35.98	8.26
	37	18.26	3.75	21.79	4.57	25.4	5.48	27.12	5.98	28.84	6.51	32.45	7.61	35.98	8.79
	39	18.26	3.95	21.79	4.83	25.4	5.82	27.12	6.33	28.84	6.90	32.45	8.07	35.98	9.36
	41	18.08	4.22	21.6	5.12	25.13	6.17	26.53	6.76	28.61	7.18	32.14	8.48	35.57	9.70
	43	17.67	4.49	21.38	5.39	24.72	6.57	26.12	7.10	28.2	7.55	31.73	8.91	35.16	10.13
46	16.45	4.82	20.06	5.78	23.41	7.05	24.72	7.53	27.12	7.94	30.56	9.33	33.86	10.51	

AUX ARV OUTDOOR UNIT – ARV 6 ALL DC INVERTER T1 50&60HZ

	48	15.27	5.15	18.8	6.06	22.19	7.45	23.5	7.92	25.72	8.22	29.92	9.73	32.54	10.90
	50	14.06	5.49	17.58	6.37	21.11	7.92	22.42	8.32	24.41	8.60	28.75	10.17	31.32	11.29
	52	12.66	5.82	16.36	6.66	19.79	8.26	21.2	8.72	23.19	8.96	27.43	10.61	30.15	11.57
50%	10	15.27	2.09	18.17	2.43	21.2	2.76	22.6	2.95	24	3.11	27.02	3.51	30.01	3.91
	12	15.27	2.11	18.17	2.45	21.2	2.80	22.6	2.98	24	3.18	27.02	3.58	30.01	3.97
	14	15.27	2.14	18.17	2.49	21.2	2.85	22.6	3.04	24	3.23	27.02	3.63	30.01	4.06
	16	15.27	2.18	18.17	2.51	21.2	2.87	22.6	3.09	24	3.28	27.02	3.70	30.01	4.12
	18	15.27	2.20	18.17	2.56	21.2	2.93	22.6	3.13	24	3.33	27.02	3.76	30.01	4.19
	19	15.27	2.23	18.17	2.59	21.2	2.98	22.6	3.19	24	3.39	27.02	3.83	30.01	4.27
	21	15.27	2.24	18.17	2.62	21.2	3.00	22.6	3.21	24	3.43	27.02	3.86	30.01	4.31
	23	15.27	2.28	18.17	2.65	21.2	3.05	22.6	3.28	24	3.49	27.02	3.94	30.01	4.40
	25	15.27	2.31	18.17	2.70	21.2	3.11	22.6	3.33	24	3.60	27.02	4.14	30.01	4.71
	27	15.27	2.36	18.17	2.80	21.2	3.29	22.6	3.55	24	3.83	27.02	4.39	30.01	5.02
	29	15.27	2.49	18.17	2.97	21.2	3.49	22.6	3.77	24	4.07	27.02	4.69	30.01	5.36
	31	15.27	2.62	18.17	3.13	21.2	3.73	22.6	4.01	24	4.31	27.02	4.98	30.01	5.68
	33	15.27	2.77	18.17	3.32	21.2	3.94	22.6	4.25	24	4.59	27.02	5.29	30.01	6.05
	35	15.27	2.93	18.17	3.51	21.2	4.14	22.6	4.49	24	4.85	27.02	5.61	30.01	6.42
	37	15.27	3.09	18.17	3.70	21.2	4.39	22.6	4.76	24	5.15	27.02	5.96	30.01	6.82
	39	15.27	3.27	18.17	3.91	21.2	4.65	22.6	5.04	24	5.46	27.02	6.32	30.01	7.25
	41	14.87	3.45	17.9	4.26	20.79	4.96	22.51	5.32	23.82	5.89	26.8	6.66	29.83	7.61
	43	14.47	3.58	17.49	4.49	20.47	5.26	22.19	5.67	23.41	6.28	26.3	7.02	29.65	7.94
	46	13.24	3.76	16.27	4.85	19.3	5.47	21.11	5.98	22.19	6.68	25.13	7.36	28.43	8.22
	48	12.16	4.07	15.19	5.21	18.08	5.76	19.89	6.26	21.11	7.12	23.91	7.76	27.21	8.65
50	11.03	4.38	14.06	5.55	16.86	6.06	17.67	6.54	19.79	7.55	22.51	8.06	26.12	9.03	
52	10.12	4.49	12.83	5.93	15.46	6.31	16.36	6.86	18.57	8.06	21.11	8.46	24.59	9.42	

7.1.6 ARV-H500/SR1MV

Combination (%)	Outdoor	Indoor temperature(°C)													
		DB:20.8,WB:14		DB:23.3,WB:16		DB:25.8,WB:18		DB:27,WB:19		DB:28.2,WB:20		DB:30.7,WB:22		DB:32,WB:24	
Capacity index	temp. (°CDB)	TC	PI	TC	PI	TC	PI	TC	PI	TC	PI	TC	PI	TC	PI
		kW	kW	kW	kW	kW	kW	kW	kW	kW	kW	kW	kW	kW	kW
130%	10	44.44	6.53	53.00	7.98	61.41	9.47	63.78	9.69	64.59	9.49	66.16	9.10	67.83	8.68
	12	44.44	6.64	53.00	8.13	61.41	9.67	62.87	9.62	63.78	9.44	65.25	9.03	66.92	8.88
	14	44.44	6.78	53.00	8.28	62.22	9.78	62.22	9.60	62.87	9.39	64.59	9.31	66.16	9.39
	16	44.44	6.87	53.00	8.45	61.30	10.85	61.30	9.67	61.96	9.71	63.68	9.81	65.25	9.91
	18	44.44	7.02	53.00	8.62	60.39	10.10	60.39	10.16	61.30	10.22	62.87	10.32	64.59	10.42
	19	44.44	7.17	53.00	9.17	59.63	10.60	59.63	10.67	60.39	10.73	61.96	10.81	63.68	10.93
	21	44.44	7.36	53.00	9.49	59.28	10.86	59.28	10.91	60.09	10.97	61.65	11.08	63.23	11.18
	23	44.44	7.90	53.00	10.19	58.37	11.35	58.37	11.40	59.18	11.46	60.74	11.57	62.32	11.69
	25	44.44	8.42	53.00	10.91	57.71	11.85	57.71	11.91	58.37	11.98	60.09	12.10	61.65	12.21
	27	44.44	9.00	53.00	11.68	56.80	12.40	56.80	12.41	57.51	12.46	59.18	12.61	60.74	12.74
	29	44.44	9.62	53.00	12.46	55.88	12.83	55.88	12.92	56.80	12.99	58.37	13.12	60.09	13.26
	31	44.44	10.27	52.75	13.21	55.13	13.36	55.13	13.36	55.88	13.49	57.51	13.64	59.18	13.80
	33	44.44	10.93	51.83	13.70	54.21	13.83	54.21	13.92	55.13	14.00	56.80	14.15	58.17	14.32
	35	44.44	11.65	50.97	14.20	53.56	14.37	53.56	14.44	54.21	14.51	55.88	14.69	57.51	14.85
	37	44.44	12.40	50.27	14.70	52.65	14.88	52.65	14.95	53.56	15.05	55.02	15.23	56.59	15.37
	39	44.44	13.21	49.41	15.20	51.83	15.37	51.83	15.47	52.65	15.57	54.21	15.73	55.88	15.92
	41	44.20	14.04	49.06	15.86	51.53	15.99	51.53	16.03	52.54	16.14	53.76	16.28	55.69	16.34
	43	43.88	14.95	48.60	16.38	51.08	16.53	51.28	16.61	52.19	16.77	53.30	16.97	55.33	17.08
46	42.42	15.86	47.23	16.78	49.71	17.01	49.97	17.12	50.82	17.22	52.09	17.34	54.01	17.46	
48	41.05	17.14	45.91	17.22	48.49	17.50	48.60	17.58	49.51	17.73	50.73	17.97	52.75	18.12	
50	39.59	17.41	44.44	17.62	47.23	17.97	47.38	18.19	48.04	18.35	49.51	18.54	51.43	18.64	
52	38.27	17.83	42.98	18.02	45.91	18.54	46.11	18.68	46.47	18.84	48.14	19.06	49.71	19.22	
120%	10	41.05	5.96	48.79	7.28	56.80	8.65	60.74	9.34	63.68	9.75	65.15	9.37	66.46	9.00
	12	41.05	6.07	48.79	7.40	56.80	8.80	60.74	9.52	62.77	9.69	64.24	9.33	65.60	8.94
	14	41.05	6.17	48.79	7.55	56.80	8.99	60.74	9.71	61.86	9.62	63.43	9.26	64.90	9.33
	16	41.05	6.30	48.79	7.70	56.80	9.16	60.39	9.78	61.09	9.65	62.57	9.75	63.98	9.82
	18	41.05	6.41	48.79	7.85	56.80	9.47	59.53	10.10	60.19	10.14	61.65	10.25	63.23	10.35
	19	41.05	6.55	48.79	8.17	56.80	10.19	58.72	10.60	59.53	10.65	60.95	10.74	62.32	10.82
	21	41.05	6.60	48.79	8.45	56.80	10.55	58.17	10.86	58.92	10.90	60.55	10.98	61.96	11.11
	23	41.05	7.06	48.79	9.06	56.80	11.30	57.51	11.33	58.17	11.40	59.63	11.49	61.09	11.59
	25	41.05	7.53	48.79	9.69	55.88	11.78	56.59	11.83	57.25	11.87	58.92	12.00	60.39	11.01
	27	41.05	8.05	48.79	10.36	55.13	12.26	55.88	12.34	56.59	12.40	58.06	12.51	59.53	12.63
	29	41.05	8.58	48.79	11.05	54.21	12.76	55.02	12.83	55.69	12.89	57.15	13.02	58.72	13.15
	31	41.05	9.16	48.79	11.80	53.56	13.27	54.21	13.34	55.02	13.40	56.34	14.63	57.81	13.67
	33	41.05	9.75	48.79	12.61	52.65	13.77	53.30	13.84	54.11	13.90	55.48	14.05	56.90	14.20
	35	41.05	10.37	48.79	13.43	51.74	14.27	52.44	14.34	53.30	14.43	54.78	14.57	56.23	14.73
37	41.05	11.05	48.79	14.31	50.97	14.79	51.74	14.86	52.44	14.95	53.86	15.09	55.33	15.26	

AUX ARV OUTDOOR UNIT – ARV 6 ALL DC INVERTER T1 50&60HZ

	39	41.05	11.75	48.60	15.10	50.06	15.28	50.82	15.37	51.53	15.45	53.10	15.61	54.56	15.77	
	41	40.85	12.57	48.14	15.86	49.71	15.88	50.42	15.99	51.08	16.09	52.29	16.16	54.32	16.24	
	43	40.50	13.21	47.79	16.41	49.51	16.53	49.97	16.61	50.82	16.70	51.83	16.74	54.01	16.90	
	46	38.93	13.98	46.37	17.03	47.93	17.22	48.60	17.34	49.51	17.41	50.62	17.54	52.54	17.70	
	48	37.46	14.65	45.01	17.59	46.47	17.96	47.23	18.06	48.04	18.20	49.15	18.27	50.97	18.41	
	50	35.99	15.30	43.43	18.34	45.01	18.60	45.76	18.71	46.67	18.84	47.69	18.96	49.61	19.08	
	52	34.07	15.95	41.86	18.96	43.64	19.22	44.44	19.34	45.36	19.47	46.37	19.64	48.39	19.73	
110%	10	37.57	5.39	44.90	6.58	52.09	7.83	55.69	8.45	59.28	9.10	63.78	9.65	65.25	9.33	
	12	37.57	5.51	44.90	6.71	52.09	7.98	55.69	8.62	59.28	9.26	63.13	9.62	64.34	9.26	
	14	37.57	5.61	44.90	6.84	52.09	8.13	55.69	8.78	59.28	9.44	62.22	9.62	63.68	9.24	
	16	37.57	5.71	44.90	6.96	52.09	8.28	55.69	8.94	59.28	9.62	61.41	9.67	62.77	9.77	
	18	37.57	5.82	44.90	7.09	52.09	8.45	55.69	9.18	59.28	10.09	60.55	10.16	61.96	10.27	
	19	37.57	5.93	44.90	7.25	52.09	8.94	55.69	9.88	58.37	10.59	59.83	10.67	61.09	10.75	
	21	37.57	5.99	44.90	7.45	52.09	9.26	55.69	10.25	58.06	10.82	59.28	10.91	60.74	11.01	
	23	37.57	6.27	44.90	7.98	52.09	9.94	55.69	10.98	57.15	11.31	58.62	11.42	59.83	11.53	
	25	37.57	6.68	44.90	8.55	52.09	10.63	55.69	11.78	56.34	11.80	57.71	11.91	59.18	12.01	
	27	37.57	7.13	44.90	9.14	52.09	11.36	54.78	12.26	55.48	12.30	56.90	12.41	58.17	12.54	
	29	37.57	7.60	44.90	9.75	52.09	12.16	54.11	12.76	54.78	12.82	56.04	12.94	57.51	13.05	
	31	37.57	8.11	44.90	10.39	52.09	12.98	53.10	13.26	53.86	13.32	55.33	13.43	56.59	13.56	
	33	37.57	8.62	44.90	11.08	51.74	13.67	52.44	13.74	53.10	13.81	54.47	13.94	55.88	14.08	
	35	37.57	9.17	44.90	11.80	50.97	14.18	51.53	14.25	52.19	14.32	53.56	14.47	55.02	14.60	
	37	37.57	9.77	44.90	12.57	50.06	14.69	50.82	14.75	51.28	14.82	52.75	14.98	54.11	15.10	
	39	37.57	10.37	44.90	13.39	49.15	15.18	49.97	15.26	50.62	15.33	51.83	15.48	53.30	15.64	
		41	37.35	10.90	44.44	14.08	48.95	15.56	49.71	15.81	50.16	15.88	51.43	15.99	52.85	16.15
		43	37.11	11.49	44.09	14.70	48.49	16.01	49.41	16.33	49.81	16.46	51.18	16.60	52.29	16.77
		46	35.79	12.08	42.72	15.37	47.23	16.44	47.93	16.86	48.49	17.07	49.81	17.25	50.97	17.45
		48	34.32	12.69	41.31	16.16	45.76	16.90	46.37	17.48	47.23	17.72	48.49	17.87	49.61	18.06
	50	32.85	13.32	39.69	16.97	44.44	17.48	45.01	17.95	45.91	18.22	47.23	18.40	48.39	18.54	
	52	31.49	13.89	38.27	17.72	42.88	18.06	43.74	18.44	44.34	18.61	45.66	18.84	46.77	19.12	
100%	10	34.22	4.89	40.70	5.93	47.38	7.02	50.62	7.58	53.86	8.18	60.55	9.26	63.98	9.62	
	12	34.22	4.96	40.70	6.02	47.38	7.10	50.62	7.67	53.86	8.34	60.55	9.43	63.13	9.55	
	14	34.22	5.04	40.70	6.11	47.38	7.23	50.62	7.81	53.86	8.49	60.55	9.59	62.32	9.47	
	16	34.22	5.15	40.70	6.26	47.38	7.40	50.62	7.98	53.86	8.69	60.28	9.81	61.41	9.68	
	18	34.22	5.25	40.70	6.40	47.38	7.54	50.62	8.13	53.86	8.84	59.53	9.99	60.74	10.14	
	19	34.22	5.35	40.70	6.49	47.38	7.80	50.62	8.58	53.86	9.43	58.62	10.52	59.83	10.67	
	21	34.22	5.39	40.70	6.55	47.38	8.05	50.62	8.87	53.86	9.74	58.17	10.87	59.53	10.97	
	23	34.22	5.53	40.70	7.00	47.38	8.66	50.62	9.54	53.86	10.48	57.51	11.50	58.62	11.61	
	25	34.22	5.89	40.70	7.45	47.38	9.22	50.62	10.14	53.86	11.20	56.59	11.91	57.81	12.04	
	27	34.22	6.30	40.70	7.96	47.38	9.88	50.62	10.88	53.86	12.01	55.69	12.34	56.90	12.46	
	29	34.22	6.66	40.70	8.51	47.38	10.57	50.62	11.63	53.86	12.74	54.87	12.94	56.14	13.05	
	31	34.22	7.09	40.70	9.06	47.38	11.27	50.40	11.94	53.86	13.25	53.66	13.47	55.33	13.59	
	33	34.22	7.54	40.70	9.65	47.38	12.01	50.40	12.47	53.86	13.72	53.46	13.84	54.56	13.98	
	35	34.22	8.03	40.70	10.27	47.38	12.51	50.40	12.63	52.09	14.22	52.44	14.35	53.66	14.47	
	37	34.22	8.55	40.70	10.94	47.38	13.64	50.40	14.66	52.09	14.73	51.63	14.85	52.85	14.98	
	39	34.22	9.10	40.70	11.65	47.38	14.52	50.40	15.15	52.09	15.23	50.97	15.33	51.63	15.47	

AUX ARV OUTDOOR UNIT – ARV 6 ALL DC INVERTER T1 50&60HZ

	41	33.96	9.62	40.50	12.16	46.93	15.18	50.16	15.56	52.09	15.84	50.62	15.91	51.28	16.05
	43	33.41	10.18	40.04	12.85	46.47	15.81	49.61	16.05	51.08	16.36	50.27	16.39	51.08	16.53
	46	32.04	10.78	38.57	13.59	45.01	16.60	47.93	16.71	49.71	16.90	49.06	16.97	49.71	17.10
	48	30.58	11.30	37.26	14.21	43.53	17.34	46.47	17.38	48.49	17.41	47.79	17.54	48.49	17.64
	50	29.26	11.87	35.99	14.85	42.07	18.06	45.01	18.16	47.23	18.28	46.47	18.40	47.23	18.54
	52	27.54	12.44	34.32	15.43	40.70	18.81	43.53	18.93	45.76	19.01	45.01	19.06	46.02	19.28
90%	10	30.72	4.26	36.55	5.11	42.62	5.99	45.56	6.75	48.49	7.19	54.47	8.22	60.39	9.33
	12	30.72	4.32	36.55	5.19	42.62	6.07	45.56	6.84	48.49	7.32	54.47	8.38	60.39	9.46
	14	30.72	4.39	36.55	5.28	42.62	6.17	45.56	6.93	48.49	7.45	54.47	8.52	60.39	9.61
	16	30.72	4.48	36.55	5.39	42.62	6.32	45.56	7.10	48.49	7.61	54.47	8.71	60.19	9.79
	18	30.72	4.59	36.55	5.52	42.62	6.44	45.56	7.23	48.49	7.77	54.47	8.92	59.63	10.14
	19	30.72	4.66	36.55	5.59	42.62	6.64	45.56	7.39	48.49	8.08	54.47	9.59	58.62	10.57
	21	30.72	4.71	36.55	5.65	42.62	6.87	45.56	7.62	48.49	8.38	54.47	9.91	58.17	10.81
	23	30.72	4.83	36.55	6.04	42.62	7.40	45.56	8.21	48.49	8.96	54.47	10.65	57.25	11.36
	25	30.72	5.14	36.55	6.42	42.62	7.87	45.56	8.76	48.49	9.59	54.47	11.38	56.59	11.83
	27	30.72	5.49	36.55	6.87	42.62	8.43	45.56	9.34	48.49	10.27	54.47	12.14	55.69	12.36
	29	30.72	5.82	36.55	7.33	42.62	9.03	45.56	9.99	48.49	10.95	53.86	12.74	55.02	12.83
	31	30.72	6.19	36.55	7.81	42.62	9.62	45.56	10.65	48.49	11.68	53.00	13.19	54.11	13.47
	33	30.72	6.58	36.55	8.33	42.62	10.27	45.56	11.33	48.49	12.43	52.19	13.83	53.30	13.84
	35	30.72	7.00	36.55	8.86	42.62	10.94	45.56	12.08	48.49	13.30	51.28	14.22	52.44	14.35
	37	30.72	7.45	36.55	9.43	42.62	11.65	49.71	12.53	48.49	14.22	50.42	14.75	51.74	14.70
	39	30.72	7.94	36.55	10.05	42.62	12.40	49.06	12.94	48.49	15.09	49.71	15.28	50.82	15.24
	41	30.48	8.39	36.35	10.49	42.16	12.83	48.95	13.36	48.14	15.77	49.25	15.86	50.62	15.91
	43	30.02	8.87	35.99	10.97	41.97	13.29	48.60	13.84	47.38	16.21	48.60	16.34	50.27	16.39
	46	28.55	9.36	35.79	11.44	40.60	13.76	47.23	14.22	46.11	16.63	47.23	16.74	48.95	16.78
	48	27.23	9.84	34.32	11.91	39.38	14.27	45.91	14.70	44.65	17.12	46.22	17.25	47.38	17.29
50	25.86	10.35	32.75	12.36	37.92	14.81	44.55	15.27	43.43	17.64	45.01	17.73	46.11	17.86	
52	24.41	10.90	31.49	12.88	36.35	15.26	42.98	15.79	41.86	18.08	43.74	18.19	44.65	18.30	
80%	10	27.34	3.86	32.50	4.63	37.92	5.45	40.50	5.87	43.07	6.30	48.49	7.19	53.66	8.35
	12	27.34	3.93	32.50	4.71	37.92	5.54	40.50	5.99	43.07	6.41	48.49	7.32	53.66	8.28
	14	27.34	4.01	32.50	4.81	37.92	5.65	40.50	6.09	43.07	6.53	48.49	7.45	53.66	8.46
	16	27.34	4.06	32.50	4.89	37.92	5.76	40.50	6.19	43.07	6.64	48.49	7.60	53.66	8.78
	18	27.34	4.15	32.50	4.98	37.92	5.89	40.50	6.32	43.07	6.74	48.49	7.79	53.66	9.39
	19	27.34	4.22	32.50	5.06	37.92	5.99	40.50	6.45	43.07	6.91	48.49	8.05	53.66	9.72
	21	27.34	4.25	32.50	5.11	37.92	6.04	40.50	6.53	43.07	7.06	48.49	8.35	53.66	10.40
	23	27.34	4.33	32.50	5.22	37.92	6.32	40.50	6.93	43.07	7.55	48.49	8.93	53.66	11.14
	25	27.34	4.46	32.50	5.54	37.92	6.78	40.50	7.42	43.07	8.07	48.49	9.56	53.66	11.87
	27	27.34	4.76	32.50	5.91	37.92	7.22	40.50	7.91	43.07	8.66	48.49	10.20	53.66	12.30
	29	27.34	5.06	32.50	6.30	37.92	7.68	40.50	8.42	43.07	9.23	48.49	10.90	53.66	12.74
	31	27.34	5.35	32.50	6.70	37.92	8.18	40.50	8.99	43.07	9.84	48.49	11.63	52.75	13.21
	33	27.34	5.71	32.50	7.45	37.92	8.71	40.50	9.56	43.07	10.48	48.49	12.40	52.09	13.69
	35	27.34	6.04	32.50	7.65	37.92	9.26	40.50	10.20	43.07	11.15	48.49	13.24	51.18	14.18
	37	27.34	6.41	32.50	8.04	37.92	9.86	39.84	10.87	43.07	11.87	48.49	14.09	50.42	14.70
	39	27.34	6.79	32.50	8.52	37.92	10.49	39.28	11.57	43.07	12.66	48.49	15.02	49.51	15.26
41	26.98	7.28	32.20	9.00	37.66	10.94	38.83	11.98	42.72	13.08	48.14	15.44	49.15	15.81	

AUX ARV OUTDOOR UNIT – ARV 6 ALL DC INVERTER T1 50&60HZ

	43	26.68	7.68	31.58	9.46	37.57	11.40	38.37	12.50	42.32	13.70	47.69	15.91	48.95	16.38
	46	25.21	8.13	30.37	9.95	36.09	11.91	37.11	12.99	40.95	14.17	46.37	16.38	47.38	16.86
	48	23.84	8.68	28.81	10.42	34.88	12.27	35.44	13.36	39.59	14.75	45.01	16.96	46.11	17.34
	50	22.47	9.20	27.34	10.91	33.51	12.75	33.96	13.84	38.27	14.21	43.74	17.44	44.65	17.75
	52	21.06	9.71	25.97	11.28	30.72	13.25	32.75	14.22	36.65	14.70	42.16	18.02	43.34	18.32
70%	10	23.95	3.41	28.45	4.05	33.21	4.71	35.44	5.06	37.66	5.44	42.42	6.17	47.03	6.93
	12	23.95	3.45	28.45	4.10	33.21	4.81	35.44	5.16	37.66	5.53	42.42	6.30	47.03	7.08
	14	23.95	3.51	28.45	4.18	33.21	4.89	35.44	5.25	37.66	5.64	42.42	6.41	47.03	7.22
	16	23.95	3.57	28.45	4.25	33.21	4.98	35.44	5.35	37.66	5.74	42.42	6.53	47.03	7.35
	18	23.95	3.63	28.45	4.33	33.21	5.06	35.44	5.45	37.66	5.83	42.42	6.65	47.03	7.50
	19	23.95	3.67	28.45	4.40	33.21	5.16	35.44	5.54	37.66	5.96	42.42	6.79	47.03	7.70
	21	23.95	3.72	28.45	4.45	33.21	5.21	35.44	5.61	37.66	6.02	42.42	6.87	47.03	7.98
	23	23.95	3.78	28.45	4.53	33.21	5.32	35.44	5.80	37.66	6.32	42.42	7.37	47.03	8.55
	25	23.95	3.86	28.45	4.71	33.21	5.66	35.44	6.19	37.66	6.74	42.42	7.90	47.03	9.14
	27	23.95	4.08	28.45	5.01	33.21	6.04	35.44	6.60	37.66	7.19	42.42	8.42	47.03	10.87
	29	23.95	4.33	28.45	5.32	33.21	6.42	35.44	7.03	37.66	7.66	42.42	8.99	47.03	10.43
	31	23.95	4.59	28.45	5.66	33.21	6.85	35.44	7.47	37.66	8.13	42.42	9.56	47.03	11.12
	33	23.95	4.87	28.45	6.04	33.21	7.29	35.44	7.96	37.66	8.68	42.42	10.20	47.03	11.87
	35	23.95	5.15	28.45	6.42	33.21	7.73	35.44	8.46	37.66	9.24	42.42	10.87	47.03	12.64
	37	23.95	5.44	28.45	6.85	33.21	8.22	35.44	9.00	37.66	9.82	42.42	11.57	47.03	13.47
	39	23.95	5.76	28.45	7.29	33.21	8.71	35.44	9.55	37.66	10.43	42.42	12.30	47.03	14.34
	41	23.64	6.14	28.15	7.68	32.85	9.22	35.08	10.09	37.35	10.94	42.16	12.72	46.67	14.82
	43	23.18	6.51	27.69	8.13	32.60	9.71	34.88	10.55	37.00	11.46	41.86	13.12	46.22	15.30
	46	21.82	6.93	26.32	8.71	31.28	10.18	33.21	10.94	35.54	12.00	40.60	13.59	45.01	15.95
	48	20.60	7.35	24.86	9.22	29.72	10.67	31.85	11.40	34.32	12.61	39.38	14.08	43.53	16.53
50	19.23	7.68	23.64	9.69	28.35	11.10	30.48	11.76	32.95	13.15	37.92	14.66	42.16	17.22	
52	18.02	8.15	21.92	10.22	26.98	11.57	29.26	12.16	31.49	13.72	36.44	15.15	40.95	17.90	
60%	10	20.45	2.96	24.41	3.48	28.45	4.02	30.37	4.31	32.30	4.60	36.35	5.21	40.30	5.83
	12	20.45	3.01	24.41	3.52	28.45	4.10	30.37	4.39	32.30	4.68	36.35	5.31	40.30	5.93
	14	20.45	3.05	24.41	3.58	28.45	4.15	30.37	4.46	32.30	4.77	36.35	5.39	40.30	6.04
	16	20.45	3.10	24.41	3.64	28.45	4.23	30.37	4.53	32.30	4.84	36.35	5.49	40.30	6.17
	18	20.45	3.14	24.41	3.71	28.45	4.31	30.37	4.61	32.30	4.93	36.35	5.59	40.30	6.27
	19	20.45	3.18	24.41	3.78	28.45	4.39	30.37	4.71	32.30	5.04	36.35	5.71	40.30	6.41
	21	20.45	3.22	24.41	3.80	28.45	4.43	30.37	4.76	32.30	5.06	36.35	5.76	40.30	6.47
	23	20.45	3.25	24.41	3.86	28.45	4.50	30.37	4.84	32.30	5.16	36.35	5.99	40.30	6.87
	25	20.45	3.33	24.41	3.95	28.45	4.68	30.37	5.06	32.30	5.49	36.35	6.40	40.30	7.35
	27	20.45	3.45	24.41	4.18	28.45	4.98	30.37	5.42	32.30	5.86	36.35	6.81	40.30	7.84
	29	20.45	3.64	24.41	4.43	28.45	5.31	30.37	5.76	32.30	6.24	36.35	7.28	40.30	8.38
	31	20.45	3.86	24.41	4.71	28.45	5.64	30.37	6.11	32.30	6.64	36.35	7.73	40.30	8.91
	33	20.45	4.08	24.41	4.98	28.45	5.97	30.37	6.49	32.30	7.06	36.35	8.22	40.30	9.49
	35	20.45	4.33	24.41	5.28	28.45	6.32	30.37	6.91	32.30	7.50	36.35	8.76	40.30	10.10
	37	20.45	4.59	24.41	5.59	28.45	6.71	30.37	7.32	32.30	7.96	36.35	9.31	40.30	10.75
	39	20.45	4.83	24.41	5.91	28.45	7.12	30.37	7.75	32.30	8.45	36.35	9.88	40.30	11.44
	41	20.25	5.16	24.19	6.26	28.15	7.55	29.72	8.26	32.04	8.78	35.99	10.37	39.84	11.87
43	19.79	5.49	23.95	6.60	27.69	8.04	29.26	8.69	31.58	9.24	35.54	10.90	39.38	12.40	

AUX ARV OUTDOOR UNIT – ARV 6 ALL DC INVERTER T1 50&60HZ

	46	18.42	5.90	22.47	7.06	26.22	8.62	27.69	9.22	30.37	9.71	34.22	11.42	37.92	12.85
	48	17.10	6.30	21.06	7.42	24.86	9.11	26.32	9.69	28.81	10.06	33.51	11.91	36.44	13.34
	50	15.74	6.72	19.69	7.79	23.64	9.68	25.11	10.18	27.34	10.52	32.20	12.44	35.08	13.81
	52	14.18	7.12	18.32	8.15	22.17	10.10	23.74	10.67	25.97	10.97	30.72	12.98	33.76	14.15
50%	10	17.10	2.56	20.35	2.96	23.74	3.38	25.31	3.60	26.88	3.80	30.26	4.29	33.61	4.78
	12	17.10	2.58	20.35	3.00	23.74	3.42	25.31	3.64	26.88	3.89	30.26	4.38	33.61	4.87
	14	17.10	2.62	20.35	3.05	23.74	3.48	25.31	3.72	26.88	3.95	30.26	4.45	33.61	4.97
	16	17.10	2.67	20.35	3.07	23.74	3.52	25.31	3.78	26.88	4.01	30.26	4.53	33.61	5.04
	18	17.10	2.69	20.35	3.13	23.74	3.58	25.31	3.83	26.88	4.08	30.26	4.60	33.61	5.12
	19	17.10	2.73	20.35	3.17	23.74	3.64	25.31	3.90	26.88	4.15	30.26	4.68	33.61	5.22
	21	17.10	2.75	20.35	3.20	23.74	3.67	25.31	3.93	26.88	4.20	30.26	4.73	33.61	5.28
	23	17.10	2.79	20.35	3.25	23.74	3.73	25.31	4.01	26.88	4.27	30.26	4.81	33.61	5.39
	25	17.10	2.82	20.35	3.30	23.74	3.80	25.31	4.08	26.88	4.40	30.26	5.06	33.61	5.76
	27	17.10	2.89	20.35	3.42	23.74	4.02	25.31	4.35	26.88	4.68	30.26	5.38	33.61	6.14
	29	17.10	3.05	20.35	3.63	23.74	4.27	25.31	4.61	26.88	4.98	30.26	5.74	33.61	6.55
	31	17.10	3.20	20.35	3.83	23.74	4.56	25.31	4.91	26.88	5.28	30.26	6.09	33.61	6.96
	33	17.10	3.40	20.35	4.06	23.74	4.81	25.31	5.19	26.88	5.61	30.26	6.47	33.61	7.40
	35	17.10	3.58	20.35	4.29	23.74	5.06	25.31	5.49	26.88	5.93	30.26	6.87	33.61	7.85
	37	17.10	3.78	20.35	4.53	23.74	5.38	25.31	5.82	26.88	6.30	30.26	7.29	33.61	8.35
	39	17.10	3.99	20.35	4.78	23.74	5.69	25.31	6.17	26.88	6.68	30.26	7.73	33.61	8.87
	41	16.65	4.22	20.05	5.21	23.28	6.07	25.21	6.51	26.68	7.20	30.02	8.15	33.41	9.31
	43	16.20	4.38	19.59	5.49	22.93	6.44	24.86	6.93	26.22	7.68	29.46	8.59	33.21	9.71
	46	14.83	4.60	18.23	5.93	21.61	6.70	23.64	7.32	24.86	8.18	28.15	9.00	31.85	10.06
	48	13.62	4.98	17.01	6.37	20.25	7.05	22.27	7.66	23.64	8.71	26.78	9.49	30.48	10.59
50	12.35	5.35	15.74	6.79	18.88	7.42	19.79	8.00	22.17	9.24	25.21	9.86	29.26	11.05	
52	11.33	5.49	14.37	7.26	17.32	7.71	18.32	8.39	20.80	9.85	23.64	10.35	27.54	11.53	

7.1.7 ARV-H560/SR1MV

Combination (%)	Outdoor	Indoor temperature(°C)													
		DB:20.8,WB:14		DB:23.3,WB:16		DB:25.8,WB:18		DB:27,WB:19		DB:28.2,WB:20		DB:30.7,WB:22		DB:32,WB:24	
Capacity index	temp. (°CDB)	TC	PI	TC	PI	TC	PI	TC	PI	TC	PI	TC	PI	TC	PI
		kW	kW	kW	kW	kW	kW	kW	kW	kW	kW	kW	kW	kW	kW
130%	10	49.38	7.26	58.89	8.87	68.23	10.52	70.87	10.77	71.77	10.55	73.51	10.11	75.37	9.64
	12	49.38	7.37	58.89	9.03	68.23	10.74	69.86	10.69	70.87	10.49	72.50	10.03	74.36	9.87
	14	49.38	7.54	58.89	9.20	69.13	10.86	69.13	10.67	69.86	10.43	71.77	10.34	73.51	10.44
	16	49.38	7.64	58.89	9.39	68.11	12.05	68.11	10.74	68.84	10.79	70.75	10.90	72.50	11.01
	18	49.38	7.80	58.89	9.58	67.10	11.23	67.10	11.29	68.11	11.35	69.86	11.46	71.77	11.58
	19	49.38	7.97	58.89	10.19	66.25	11.78	66.25	11.86	67.10	11.92	68.84	12.02	70.75	12.14
	21	49.38	8.18	58.89	10.55	65.86	12.07	65.86	12.12	66.76	12.19	68.50	12.31	70.25	12.42
	23	49.38	8.77	58.89	11.32	64.85	12.61	64.85	12.67	65.75	12.74	67.49	12.86	69.24	12.99
	25	49.38	9.36	58.89	12.12	64.12	13.16	64.12	13.23	64.85	13.31	66.76	13.44	68.50	13.57
	27	49.38	10.01	58.89	12.98	63.11	13.77	63.11	13.79	63.89	13.85	65.75	14.01	67.49	14.16
29	49.38	10.69	58.89	13.85	62.09	14.26	62.09	14.35	63.11	14.44	64.85	14.58	66.76	14.73	

AUX ARV OUTDOOR UNIT – ARV 6 ALL DC INVERTER T1 50&60HZ

	31	49.38	11.41	58.61	14.67	61.25	14.84	61.25	14.84	62.09	14.99	63.89	15.16	65.75	15.33
	33	49.38	12.14	57.59	15.22	60.23	15.37	60.23	15.47	61.25	15.56	63.11	15.73	64.63	15.91
	35	49.38	12.94	56.64	15.78	59.51	15.96	59.51	16.04	60.23	16.12	62.09	16.32	63.89	16.50
	37	49.38	13.77	55.85	16.34	58.49	16.53	58.49	16.61	59.51	16.72	61.14	16.92	62.87	17.07
	39	49.38	14.67	54.90	16.89	57.59	17.07	57.59	17.19	58.49	17.30	60.23	17.48	62.09	17.69
	41	49.11	15.60	54.51	17.62	57.26	17.76	57.26	17.81	58.38	17.93	59.73	18.08	61.87	18.16
	43	48.76	16.61	54.00	18.19	56.76	18.36	56.97	18.46	57.99	18.64	59.22	18.86	61.47	18.98
	46	47.13	17.62	52.48	18.64	55.24	18.90	55.52	19.03	56.46	19.14	57.88	19.26	60.02	19.40
	48	45.61	19.04	51.01	19.14	53.88	19.44	54.00	19.54	55.01	19.71	56.36	19.97	58.61	20.13
	50	43.99	19.35	49.38	19.58	52.48	19.97	52.65	20.21	53.38	20.39	55.01	20.60	57.15	20.71
	52	42.52	19.82	47.75	20.02	51.01	20.60	51.24	20.76	51.63	20.94	53.49	21.18	55.24	21.35
120%	10	45.61	6.62	54.22	8.09	63.11	9.61	67.49	10.38	70.75	10.84	72.39	10.41	73.85	10.01
	12	45.61	6.75	54.22	8.22	63.11	9.78	67.49	10.58	69.74	10.77	71.38	10.36	72.89	9.94
	14	45.61	6.86	54.22	8.39	63.11	9.99	67.49	10.79	68.74	10.69	70.48	10.29	72.11	10.36
	16	45.61	7.00	54.22	8.55	63.11	10.18	67.10	10.86	67.88	10.73	69.52	10.84	71.09	10.91
	18	45.61	7.12	54.22	8.72	63.11	10.52	66.14	11.23	66.88	11.27	68.50	11.39	70.25	11.50
	19	45.61	7.28	54.22	9.08	63.11	11.32	65.24	11.78	66.14	11.83	67.72	11.93	69.24	12.03
	21	45.61	7.33	54.22	9.39	63.11	11.72	64.63	12.07	65.47	12.11	67.27	12.20	68.84	12.35
	23	45.61	7.85	54.22	10.06	63.11	12.55	63.89	12.59	64.63	12.66	66.25	12.76	67.88	12.88
	25	45.61	8.37	54.22	10.77	62.09	13.09	62.87	13.15	63.61	13.19	65.47	13.33	67.10	12.24
	27	45.61	8.94	54.22	11.51	61.25	13.62	62.09	13.71	62.87	13.77	64.51	13.90	66.14	14.03
	29	45.61	9.53	54.22	12.28	60.23	14.18	61.14	14.26	61.87	14.32	63.50	14.47	65.24	14.61
	31	45.61	10.18	54.22	13.11	59.51	14.75	60.23	14.82	61.14	14.89	62.60	16.26	64.23	15.19
	33	45.61	10.84	54.22	14.01	58.49	15.30	59.22	15.38	60.12	15.45	61.65	15.61	63.22	15.78
	35	45.61	11.52	54.22	14.92	57.48	15.85	58.27	15.93	59.22	16.03	60.86	16.18	62.48	16.36
	37	45.61	12.28	54.22	15.89	56.64	16.44	57.48	16.51	58.27	16.61	59.84	16.77	61.47	16.96
	39	45.61	13.05	54.00	16.78	55.63	16.98	56.46	17.07	57.26	17.17	59.00	17.35	60.63	17.52
	41	45.39	13.97	53.49	17.62	55.24	17.64	56.02	17.77	56.76	17.88	58.10	17.96	60.35	18.04
	43	45.00	14.68	53.10	18.23	55.01	18.36	55.52	18.46	56.46	18.55	57.59	18.60	60.02	18.78
46	43.25	15.54	51.52	18.92	53.26	19.14	54.00	19.26	55.01	19.35	56.25	19.48	58.38	19.66	
48	41.62	16.28	50.01	19.54	51.63	19.95	52.48	20.06	53.38	20.22	54.62	20.30	56.64	20.46	
50	39.99	17.00	48.25	20.38	50.01	20.66	50.85	20.79	51.86	20.94	52.99	21.07	55.12	21.20	
52	37.85	17.72	46.51	21.07	48.49	21.35	49.38	21.49	50.40	21.63	51.52	21.82	53.77	21.92	
110%	10	41.74	5.99	49.89	7.31	57.88	8.70	61.87	9.39	65.86	10.11	70.87	10.73	72.50	10.36
	12	41.74	6.12	49.89	7.45	57.88	8.87	61.87	9.58	65.86	10.29	70.14	10.69	71.49	10.29
	14	41.74	6.23	49.89	7.60	57.88	9.03	61.87	9.75	65.86	10.49	69.13	10.69	70.75	10.27
	16	41.74	6.34	49.89	7.73	57.88	9.20	61.87	9.94	65.86	10.69	68.23	10.74	69.74	10.85
	18	41.74	6.47	49.89	7.88	57.88	9.39	61.87	10.20	65.86	11.21	67.27	11.29	68.84	11.41
	19	41.74	6.59	49.89	8.05	57.88	9.94	61.87	10.98	64.85	11.76	66.48	11.86	67.88	11.95
	21	41.74	6.65	49.89	8.28	57.88	10.29	61.87	11.39	64.51	12.03	65.86	12.12	67.49	12.24
	23	41.74	6.97	49.89	8.87	57.88	11.04	61.87	12.20	63.50	12.57	65.13	12.69	66.48	12.81
	25	41.74	7.43	49.89	9.50	57.88	11.81	61.87	13.09	62.60	13.11	64.12	13.24	65.75	13.35
	27	41.74	7.93	49.89	10.16	57.88	12.63	60.86	13.62	61.65	13.66	63.22	13.79	64.63	13.93
	29	41.74	8.44	49.89	10.84	57.88	13.51	60.12	14.18	60.86	14.25	62.26	14.38	63.89	14.49
	31	41.74	9.01	49.89	11.54	57.88	14.42	59.00	14.73	59.84	14.80	61.47	14.92	62.87	15.06

AUX ARV OUTDOOR UNIT – ARV 6 ALL DC INVERTER T1 50&60HZ

	33	41.74	9.58	49.89	12.31	57.48	15.19	58.27	15.27	59.00	15.34	60.53	15.49	62.09	15.65
	35	41.74	10.19	49.89	13.11	56.64	15.75	57.26	15.84	57.99	15.91	59.51	16.07	61.14	16.22
	37	41.74	10.85	49.89	13.97	55.63	16.32	56.46	16.39	56.97	16.46	58.61	16.64	60.12	16.78
	39	41.74	11.52	49.89	14.88	54.62	16.87	55.52	16.96	56.25	17.03	57.59	17.20	59.22	17.38
	41	41.50	12.11	49.38	15.65	54.39	17.29	55.24	17.57	55.74	17.64	57.15	17.77	58.72	17.95
	43	41.23	12.76	48.99	16.34	53.88	17.79	54.90	18.14	55.34	18.29	56.87	18.45	58.10	18.64
	46	39.76	13.43	47.47	17.07	52.48	18.26	53.26	18.74	53.88	18.97	55.34	19.17	56.64	19.39
	48	38.13	14.10	45.90	17.96	50.85	18.78	51.52	19.43	52.48	19.69	53.88	19.86	55.12	20.06
	50	36.50	14.80	44.10	18.86	49.38	19.43	50.01	19.94	51.01	20.24	52.48	20.44	53.77	20.60
	52	34.98	15.43	42.52	19.69	47.64	20.06	48.60	20.49	49.27	20.68	50.74	20.94	51.97	21.25
100%	10	38.03	5.43	45.22	6.59	52.65	7.80	56.25	8.42	59.84	9.09	67.27	10.29	71.09	10.69
	12	38.03	5.51	45.22	6.69	52.65	7.89	56.25	8.52	59.84	9.27	67.27	10.48	70.14	10.62
	14	38.03	5.60	45.22	6.79	52.65	8.04	56.25	8.68	59.84	9.44	67.27	10.65	69.24	10.52
	16	38.03	5.72	45.22	6.95	52.65	8.22	56.25	8.87	59.84	9.66	66.98	10.90	68.23	10.76
	18	38.03	5.83	45.22	7.11	52.65	8.38	56.25	9.04	59.84	9.83	66.14	11.10	67.49	11.27
	19	38.03	5.95	45.22	7.21	52.65	8.66	56.25	9.53	59.84	10.48	65.13	11.69	66.48	11.86
	21	38.03	5.99	45.22	7.28	52.65	8.94	56.25	9.86	59.84	10.82	64.63	12.08	66.14	12.19
	23	38.03	6.14	45.22	7.78	52.65	9.62	56.25	10.60	59.84	11.64	63.89	12.78	65.13	12.90
	25	38.03	6.54	45.22	8.28	52.65	10.24	56.25	11.27	59.84	12.45	62.87	13.24	64.23	13.37
	27	38.03	7.00	45.22	8.84	52.65	10.98	56.00	12.09	59.84	13.35	61.87	13.71	63.22	13.84
	29	38.03	7.40	45.22	9.45	52.65	11.75	56.00	12.92	59.84	14.16	60.97	14.38	62.37	14.49
	31	38.03	7.88	45.22	10.06	52.65	12.52	56.00	13.63	59.84	14.72	59.62	14.96	61.47	15.10
	33	38.03	8.38	45.22	10.73	52.65	13.35	56.00	14.05	59.84	15.25	59.40	15.38	60.63	15.54
	35	38.03	8.92	45.22	11.41	52.65	14.23	56.00	14.29	57.88	15.50	58.27	15.95	59.62	16.08
	37	38.03	9.50	45.22	12.16	52.65	15.16	56.00	15.59	57.88	16.37	57.37	16.50	58.72	16.64
	39	38.03	10.11	45.22	12.94	52.65	16.13	56.00	16.83	57.88	16.92	56.64	17.03	57.37	17.19
	41	37.73	10.69	45.00	13.51	52.14	16.87	55.74	17.29	57.88	17.60	56.25	17.68	56.97	17.83
	43	37.12	11.31	44.49	14.28	51.63	17.57	55.12	17.83	56.76	18.18	55.85	18.21	56.76	18.36
46	35.60	11.97	42.86	15.10	50.01	18.45	53.26	18.57	55.24	18.78	54.51	18.86	55.24	19.00	
48	33.97	12.55	41.39	15.79	48.37	19.26	51.63	19.31	53.88	19.35	53.10	19.48	53.88	19.59	
50	32.51	13.19	39.99	16.50	46.74	20.06	50.01	20.18	52.48	20.32	51.63	20.44	52.48	20.60	
52	30.60	13.82	38.13	17.14	45.22	20.90	48.37	21.03	50.85	21.12	50.01	21.18	51.13	21.42	
90%	10	34.14	4.74	40.61	5.68	47.36	6.65	50.62	7.50	53.88	7.99	60.53	9.13	67.10	10.36
	12	34.14	4.79	40.61	5.76	47.36	6.75	50.62	7.60	53.88	8.13	60.53	9.31	67.10	10.51
	14	34.14	4.88	40.61	5.86	47.36	6.86	50.62	7.71	53.88	8.28	60.53	9.46	67.10	10.68
	16	34.14	4.98	40.61	5.99	47.36	7.02	50.62	7.89	53.88	8.46	60.53	9.67	66.88	10.88
	18	34.14	5.10	40.61	6.14	47.36	7.15	50.62	8.04	53.88	8.63	60.53	9.91	66.25	11.27
	19	34.14	5.18	40.61	6.21	47.36	7.37	50.62	8.21	53.88	8.98	60.53	10.65	65.13	11.75
	21	34.14	5.24	40.61	6.28	47.36	7.64	50.62	8.47	53.88	9.31	60.53	11.01	64.63	12.02
	23	34.14	5.36	40.61	6.71	47.36	8.22	50.62	9.12	53.88	9.95	60.53	11.83	63.61	12.63
	25	34.14	5.71	40.61	7.14	47.36	8.75	50.62	9.73	53.88	10.65	60.53	12.64	62.87	13.15
	27	34.14	6.10	40.61	7.63	47.36	9.37	50.62	10.38	53.88	11.41	60.53	13.49	61.87	13.73
	29	34.14	6.47	40.61	8.15	47.36	10.03	50.62	11.10	53.88	12.17	59.84	14.16	61.14	14.26
	31	34.14	6.87	40.61	8.68	47.36	10.69	50.62	11.84	53.88	12.98	58.89	14.66	60.12	14.96
33	34.14	7.31	40.61	9.25	47.36	11.41	50.62	12.59	53.88	13.81	57.99	15.37	59.22	15.38	

AUX ARV OUTDOOR UNIT – ARV 6 ALL DC INVERTER T1 50&60HZ

	35	34.14	7.77	40.61	9.84	47.36	12.16	50.62	13.43	53.88	14.78	56.97	15.80	58.27	15.95
	37	34.14	8.28	40.61	10.48	47.36	12.94	55.24	13.92	53.88	15.80	56.02	16.39	57.48	16.34
	39	34.14	8.83	40.61	11.17	47.36	13.77	54.51	14.38	53.88	16.77	55.24	16.98	56.46	16.94
	41	33.86	9.33	40.38	11.65	46.85	14.26	54.39	14.84	53.49	17.52	54.73	17.62	56.25	17.68
	43	33.35	9.86	39.99	12.19	46.63	14.77	54.00	15.38	52.65	18.01	54.00	18.16	55.85	18.21
	46	31.72	10.40	39.76	12.71	45.11	15.28	52.48	15.80	51.24	18.47	52.48	18.60	54.39	18.64
	48	30.26	10.93	38.13	13.23	43.75	15.85	51.01	16.34	49.61	19.03	51.36	19.17	52.65	19.21
	50	28.74	11.50	36.39	13.73	42.13	16.45	49.50	16.96	48.25	19.59	50.01	19.71	51.24	19.85
	52	27.12	12.11	34.98	14.31	40.38	16.96	47.75	17.55	46.51	20.09	48.60	20.21	49.61	20.33
80%	10	30.38	4.29	36.11	5.14	42.13	6.05	45.00	6.53	47.86	7.00	53.88	7.99	59.62	9.28
	12	30.38	4.37	36.11	5.24	42.13	6.16	45.00	6.65	47.86	7.12	53.88	8.13	59.62	9.20
	14	30.38	4.46	36.11	5.35	42.13	6.28	45.00	6.76	47.86	7.26	53.88	8.27	59.62	9.40
	16	30.38	4.51	36.11	5.43	42.13	6.40	45.00	6.88	47.86	7.37	53.88	8.44	59.62	9.75
	18	30.38	4.61	36.11	5.53	42.13	6.54	45.00	7.03	47.86	7.48	53.88	8.66	59.62	10.43
	19	30.38	4.69	36.11	5.63	42.13	6.65	45.00	7.17	47.86	7.68	53.88	8.94	59.62	10.80
	21	30.38	4.72	36.11	5.68	42.13	6.71	45.00	7.26	47.86	7.85	53.88	9.28	59.62	11.56
	23	30.38	4.81	36.11	5.80	42.13	7.03	45.00	7.71	47.86	8.39	53.88	9.92	59.62	12.38
	25	30.38	4.96	36.11	6.16	42.13	7.54	45.00	8.24	47.86	8.96	53.88	10.62	59.62	13.19
	27	30.38	5.29	36.11	6.57	42.13	8.02	45.00	8.79	47.86	9.62	53.88	11.34	59.62	13.66
	29	30.38	5.63	36.11	7.00	42.13	8.54	45.00	9.36	47.86	10.25	53.88	12.11	59.62	14.16
	31	30.38	5.95	36.11	7.44	42.13	9.09	45.00	9.99	47.86	10.93	53.88	12.92	58.61	14.68
	33	30.38	6.34	36.11	8.28	42.13	9.68	45.00	10.62	47.86	11.64	53.88	13.77	57.88	15.21
	35	30.38	6.71	36.11	8.49	42.13	10.29	45.00	11.34	47.86	12.39	53.88	14.71	56.87	15.75
	37	30.38	7.12	36.11	8.94	42.13	10.96	44.26	12.08	47.86	13.19	53.88	15.66	56.02	16.34
	39	30.38	7.54	36.11	9.46	42.13	11.65	43.64	12.86	47.86	14.06	53.88	16.68	55.01	16.96
70%	41	29.98	8.09	35.78	10.01	41.84	12.16	43.14	13.31	47.47	14.54	53.49	17.15	54.62	17.57
	43	29.64	8.54	35.09	10.51	41.74	12.66	42.63	13.88	47.02	15.22	52.99	17.68	54.39	18.19
	46	28.01	9.04	33.75	11.06	40.10	13.23	41.23	14.44	45.50	15.74	51.52	18.19	52.65	18.73
	48	26.49	9.64	32.01	11.58	38.75	13.64	39.37	14.84	43.99	16.39	50.01	18.84	51.24	19.26
	50	24.97	10.23	30.38	12.12	37.23	14.16	37.73	15.38	42.52	15.79	48.60	19.37	49.61	19.72
	52	23.40	10.79	28.86	12.53	34.14	14.72	36.39	15.80	40.72	16.34	46.85	20.02	48.15	20.35
	10	26.61	3.79	31.61	4.50	36.90	5.24	39.37	5.63	41.84	6.04	47.13	6.86	52.26	7.71
	12	26.61	3.84	31.61	4.56	36.90	5.35	39.37	5.74	41.84	6.14	47.13	7.00	52.26	7.87
	14	26.61	3.90	31.61	4.64	36.90	5.43	39.37	5.83	41.84	6.26	47.13	7.12	52.26	8.02
	16	26.61	3.96	31.61	4.72	36.90	5.53	39.37	5.95	41.84	6.37	47.13	7.26	52.26	8.16
	18	26.61	4.03	31.61	4.81	36.90	5.63	39.37	6.05	41.84	6.48	47.13	7.39	52.26	8.33
	19	26.61	4.08	31.61	4.89	36.90	5.74	39.37	6.16	41.84	6.62	47.13	7.54	52.26	8.55
	21	26.61	4.13	31.61	4.94	36.90	5.79	39.37	6.23	41.84	6.69	47.13	7.63	52.26	8.87
	23	26.61	4.20	31.61	5.03	36.90	5.91	39.37	6.45	41.84	7.02	47.13	8.19	52.26	9.50
	25	26.61	4.29	31.61	5.24	36.90	6.29	39.37	6.88	41.84	7.48	47.13	8.77	52.26	10.16
	27	26.61	4.53	31.61	5.57	36.90	6.71	39.37	7.33	41.84	7.99	47.13	9.36	52.26	12.08
29	26.61	4.81	31.61	5.91	36.90	7.14	39.37	7.82	41.84	8.51	47.13	9.99	52.26	11.59	
31	26.61	5.10	31.61	6.29	36.90	7.61	39.37	8.30	41.84	9.04	47.13	10.62	52.26	12.36	
33	26.61	5.41	31.61	6.71	36.90	8.10	39.37	8.84	41.84	9.64	47.13	11.34	52.26	13.19	
35	26.61	5.72	31.61	7.14	36.90	8.59	39.37	9.40	41.84	10.27	47.13	12.08	52.26	14.04	

AUX ARV OUTDOOR UNIT – ARV 6 ALL DC INVERTER T1 50&60HZ

	37	26.61	6.04	31.61	7.61	36.90	9.13	39.37	10.01	41.84	10.91	47.13	12.86	52.26	14.96
	39	26.61	6.40	31.61	8.10	36.90	9.68	39.37	10.62	41.84	11.59	47.13	13.66	52.26	15.93
	41	26.27	6.82	31.28	8.54	36.50	10.24	38.98	11.21	41.50	12.16	46.85	14.14	51.86	16.46
	43	25.76	7.23	30.77	9.04	36.22	10.79	38.75	11.72	41.11	12.74	46.51	14.58	51.36	17.00
	46	24.24	7.71	29.25	9.67	34.76	11.31	36.90	12.16	39.49	13.33	45.11	15.10	50.01	17.72
	48	22.89	8.16	27.62	10.24	33.02	11.86	35.38	12.66	38.13	14.01	43.75	15.65	48.37	18.36
	50	21.37	8.54	26.27	10.77	31.50	12.33	33.86	13.07	36.61	14.61	42.13	16.29	46.85	19.14
	52	20.02	9.05	24.36	11.35	29.98	12.86	32.51	13.51	34.98	15.25	40.49	16.84	45.50	19.89
60%	10	22.72	3.29	27.12	3.87	31.61	4.46	33.75	4.79	35.89	5.11	40.38	5.79	44.77	6.48
	12	22.72	3.34	27.12	3.91	31.61	4.56	33.75	4.88	35.89	5.20	40.38	5.90	44.77	6.59
	14	22.72	3.39	27.12	3.98	31.61	4.61	33.75	4.96	35.89	5.30	40.38	5.99	44.77	6.71
	16	22.72	3.45	27.12	4.04	31.61	4.70	33.75	5.03	35.89	5.38	40.38	6.10	44.77	6.86
	18	22.72	3.49	27.12	4.12	31.61	4.79	33.75	5.13	35.89	5.48	40.38	6.21	44.77	6.97
	19	22.72	3.54	27.12	4.20	31.61	4.88	33.75	5.24	35.89	5.60	40.38	6.34	44.77	7.12
	21	22.72	3.58	27.12	4.22	31.61	4.92	33.75	5.29	35.89	5.63	40.38	6.40	44.77	7.19
	23	22.72	3.62	27.12	4.29	31.61	5.00	33.75	5.38	35.89	5.74	40.38	6.65	44.77	7.64
	25	22.72	3.70	27.12	4.39	31.61	5.20	33.75	5.63	35.89	6.10	40.38	7.11	44.77	8.16
	27	22.72	3.84	27.12	4.64	31.61	5.53	33.75	6.03	35.89	6.51	40.38	7.56	44.77	8.71
	29	22.72	4.04	27.12	4.92	31.61	5.90	33.75	6.40	35.89	6.93	40.38	8.09	44.77	9.31
	31	22.72	4.29	27.12	5.24	31.61	6.26	33.75	6.79	35.89	7.37	40.38	8.59	44.77	9.90
	33	22.72	4.53	27.12	5.53	31.61	6.64	33.75	7.21	35.89	7.85	40.38	9.13	44.77	10.55
	35	22.72	4.81	27.12	5.86	31.61	7.03	33.75	7.68	35.89	8.33	40.38	9.73	44.77	11.23
	37	22.72	5.10	27.12	6.21	31.61	7.45	33.75	8.13	35.89	8.84	40.38	10.34	44.77	11.95
	39	22.72	5.36	27.12	6.57	31.61	7.91	33.75	8.61	35.89	9.39	40.38	10.98	44.77	12.71
41	22.50	5.74	26.88	6.95	31.28	8.39	33.02	9.18	35.60	9.75	39.99	11.52	44.26	13.19	
43	21.99	6.10	26.61	7.33	30.77	8.94	32.51	9.66	35.09	10.27	39.49	12.11	43.75	13.77	
46	20.47	6.56	24.97	7.85	29.13	9.58	30.77	10.24	33.75	10.79	38.03	12.69	42.13	14.28	
48	19.00	7.00	23.40	8.24	27.62	10.12	29.25	10.77	32.01	11.18	37.23	13.23	40.49	14.83	
50	17.49	7.47	21.88	8.66	26.27	10.76	27.90	11.31	30.38	11.69	35.78	13.82	38.98	15.34	
52	15.75	7.91	20.36	9.05	24.63	11.23	26.38	11.86	28.86	12.19	34.14	14.42	37.52	15.73	
50%	10	19.00	2.84	22.61	3.29	26.38	3.76	28.12	4.01	29.87	4.23	33.63	4.77	37.34	5.31
	12	19.00	2.87	22.61	3.34	26.38	3.80	28.12	4.04	29.87	4.32	33.63	4.86	37.34	5.41
	14	19.00	2.91	22.61	3.39	26.38	3.87	28.12	4.13	29.87	4.39	33.63	4.94	37.34	5.52
	16	19.00	2.96	22.61	3.41	26.38	3.91	28.12	4.20	29.87	4.46	33.63	5.03	37.34	5.60
	18	19.00	2.99	22.61	3.48	26.38	3.98	28.12	4.26	29.87	4.53	33.63	5.11	37.34	5.69
	19	19.00	3.04	22.61	3.52	26.38	4.04	28.12	4.34	29.87	4.61	33.63	5.20	37.34	5.80
	21	19.00	3.06	22.61	3.56	26.38	4.08	28.12	4.37	29.87	4.67	33.63	5.25	37.34	5.86
	23	19.00	3.10	22.61	3.61	26.38	4.15	28.12	4.46	29.87	4.74	33.63	5.35	37.34	5.99
	25	19.00	3.13	22.61	3.67	26.38	4.23	28.12	4.53	29.87	4.89	33.63	5.63	37.34	6.40
	27	19.00	3.21	22.61	3.80	26.38	4.46	28.12	4.83	29.87	5.20	33.63	5.97	37.34	6.82
	29	19.00	3.39	22.61	4.03	26.38	4.74	28.12	5.13	29.87	5.53	33.63	6.37	37.34	7.28
	31	19.00	3.56	22.61	4.26	26.38	5.07	28.12	5.46	29.87	5.86	33.63	6.76	37.34	7.73
	33	19.00	3.78	22.61	4.51	26.38	5.35	28.12	5.77	29.87	6.23	33.63	7.19	37.34	8.22
	35	19.00	3.98	22.61	4.77	26.38	5.63	28.12	6.10	29.87	6.59	33.63	7.63	37.34	8.72
	37	19.00	4.20	22.61	5.03	26.38	5.97	28.12	6.47	29.87	7.00	33.63	8.10	37.34	9.28

AUX ARV OUTDOOR UNIT – ARV 6 ALL DC INVERTER T1 50&60HZ

39	19.00	4.44	22.61	5.31	26.38	6.32	28.12	6.86	29.87	7.43	33.63	8.59	37.34	9.86
41	18.50	4.69	22.27	5.79	25.87	6.75	28.01	7.23	29.64	8.00	33.35	9.05	37.12	10.34
43	18.00	4.86	21.76	6.10	25.48	7.15	27.62	7.71	29.13	8.54	32.73	9.55	36.90	10.79
46	16.48	5.11	20.25	6.59	24.01	7.44	26.27	8.13	27.62	9.09	31.28	10.01	35.38	11.18
48	15.13	5.53	18.90	7.08	22.50	7.83	24.75	8.51	26.27	9.68	29.76	10.55	33.86	11.76
50	13.72	5.95	17.49	7.54	20.98	8.24	21.99	8.89	24.63	10.27	28.01	10.96	32.51	12.28
52	12.59	6.10	15.97	8.06	19.24	8.57	20.36	9.33	23.11	10.95	26.27	11.50	30.60	12.81

7.1.8 ARV-H610/SR1MV

Combination (%)	Outdoor	Indoor temperature(°C)													
		DB:20.8,WB:14		DB:23.3,WB:16		DB:25.8,WB:18		DB:27,WB:19		DB:28.2,WB:20		DB:30.7,WB:22		DB:32,WB:24	
Capacity index	temp. (°CDB)	TC	PI	TC	PI	TC	PI	TC	PI	TC	PI	TC	PI	TC	PI
		kW	kW	kW	kW	kW	kW	kW	kW	kW	kW	kW	kW	kW	kW
130%	10	54.23	7.97	64.67	9.74	74.93	11.56	77.83	11.83	78.82	11.58	80.73	11.10	82.77	10.59
	12	54.23	8.10	64.67	9.92	74.93	11.80	76.72	11.74	77.83	11.52	79.62	11.02	81.66	10.84
	14	54.23	8.28	64.67	10.10	75.92	11.93	75.92	11.71	76.72	11.45	78.82	11.36	80.73	11.46
	16	54.23	8.39	64.67	10.31	74.8	13.23	74.8	11.80	75.6	11.85	77.7	11.97	79.62	12.09
	18	54.23	8.56	64.67	10.52	73.69	12.33	73.69	12.40	74.8	12.47	76.72	12.59	78.82	12.71
	19	54.23	8.75	64.67	11.19	72.76	12.94	72.76	13.02	73.69	13.09	75.6	13.20	77.7	13.34
	21	54.23	8.98	64.67	11.58	72.33	13.25	72.33	13.31	73.32	13.38	75.23	13.52	77.15	13.64
	23	54.23	9.64	64.67	12.43	71.22	13.85	71.22	13.91	72.21	13.99	74.12	14.12	76.04	14.27
	25	54.23	10.28	64.67	13.31	70.42	14.45	70.42	14.53	71.22	14.61	73.32	14.76	75.23	14.90
	27	54.23	10.99	64.67	14.25	69.31	15.13	69.31	15.14	70.17	15.21	72.21	15.39	74.12	15.55
	29	54.23	11.74	64.67	15.21	68.19	15.66	68.19	15.76	69.31	15.85	71.22	16.01	73.32	16.18
	31	54.23	12.53	64.37	16.11	67.27	16.30	67.27	16.30	68.19	16.46	70.17	16.65	72.21	16.84
	33	54.23	13.34	63.25	16.72	66.15	16.88	66.15	16.99	67.27	17.08	69.31	17.27	70.98	17.47
	35	54.23	14.21	62.2	17.33	65.35	17.53	65.35	17.61	66.15	17.71	68.19	17.92	70.17	18.12
	37	54.23	15.13	61.34	17.94	64.24	18.15	64.24	18.24	65.35	18.36	67.14	18.58	69.05	18.75
	39	54.23	16.11	60.29	18.55	63.25	18.75	63.25	18.88	64.24	18.99	66.15	19.20	68.19	19.43
	41	53.93	17.13	59.86	19.35	62.88	19.51	62.88	19.56	64.11	19.69	65.6	19.86	67.95	19.94
43	53.55	18.24	59.3	19.98	62.33	20.17	62.57	20.27	63.68	20.47	65.04	20.71	67.51	20.84	
46	51.76	19.35	57.63	20.48	60.66	20.76	60.97	20.89	62.01	21.02	63.56	21.16	65.91	21.30	
48	50.09	20.91	56.02	21.02	59.17	21.35	59.3	21.45	60.41	21.64	61.9	21.93	64.37	22.11	
50	48.31	21.25	54.23	21.50	57.63	21.93	57.82	22.19	58.62	22.40	60.41	22.63	62.76	22.74	
52	46.7	21.76	52.44	21.99	56.02	22.63	56.27	22.80	56.7	22.99	58.74	23.26	60.66	23.45	
120%	10	50.09	7.27	59.54	8.88	69.31	10.55	74.12	11.40	77.7	11.90	79.5	11.44	81.1	10.99
	12	50.09	7.41	59.54	9.03	69.31	10.74	74.12	11.62	76.59	11.83	78.39	11.38	80.05	10.91
	14	50.09	7.53	59.54	9.22	69.31	10.97	74.12	11.85	75.49	11.74	77.4	11.30	79.19	11.38
	16	50.09	7.69	59.54	9.39	69.31	11.17	73.69	11.93	74.55	11.78	76.35	11.90	78.07	11.99
	18	50.09	7.82	59.54	9.58	69.31	11.56	72.64	12.33	73.45	12.38	75.23	12.51	77.15	12.63
	19	50.09	8.00	59.54	9.97	69.31	12.43	71.65	12.94	72.64	12.99	74.37	13.10	76.04	13.21
21	50.09	8.05	59.54	10.31	69.31	12.87	70.98	13.25	71.9	13.30	73.88	13.40	75.6	13.56	

AUX ARV OUTDOOR UNIT – ARV 6 ALL DC INVERTER T1 50&60HZ

	23	50.09	8.62	59.54	11.05	69.31	13.78	70.17	13.83	70.98	13.91	72.76	14.02	74.55	14.15
	25	50.09	9.19	59.54	11.83	68.19	14.38	69.05	14.44	69.86	14.48	71.9	14.64	73.69	13.44
	27	50.09	9.82	59.54	12.64	67.27	14.96	68.19	15.06	69.05	15.13	70.85	15.27	72.64	15.41
	29	50.09	10.47	59.54	13.49	66.15	15.57	67.14	15.66	67.95	15.73	69.74	15.89	71.65	16.05
	31	50.09	11.17	59.54	14.40	65.35	16.20	66.15	16.27	67.14	16.36	68.75	17.86	70.54	16.68
	33	50.09	11.90	59.54	15.39	64.24	16.80	65.04	16.89	66.03	16.96	67.7	17.15	69.43	17.33
	35	50.09	12.66	59.54	16.38	63.13	17.41	63.99	17.49	65.04	17.61	66.84	17.77	68.62	17.97
	37	50.09	13.49	59.54	17.46	62.2	18.05	63.13	18.14	63.99	18.24	65.72	18.42	67.51	18.62
	39	50.09	14.33	59.3	18.43	61.09	18.65	62.01	18.75	62.88	18.85	64.8	19.05	66.58	19.25
	41	49.85	15.34	58.74	19.35	60.66	19.38	61.52	19.52	62.33	19.64	63.81	19.72	66.28	19.81
	43	49.42	16.12	58.31	20.02	60.41	20.17	60.97	20.27	62.01	20.37	63.25	20.43	65.91	20.62
	46	47.5	17.06	56.58	20.78	58.49	21.02	59.3	21.16	60.41	21.25	61.77	21.40	64.11	21.59
	48	45.71	17.88	54.92	21.46	56.7	21.91	57.63	22.03	58.62	22.21	59.98	22.29	62.2	22.47
	50	43.92	18.67	52.99	22.38	54.92	22.69	55.84	22.83	56.95	22.99	58.19	23.14	60.53	23.28
	52	41.57	19.46	51.08	23.14	53.25	23.45	54.23	23.60	55.35	23.76	56.58	23.96	59.05	24.07
110%	10	45.84	6.58	54.79	8.02	63.56	9.55	67.95	10.31	72.33	11.10	77.83	11.78	79.62	11.38
	12	45.84	6.72	54.79	8.18	63.56	9.74	67.95	10.52	72.33	11.30	77.03	11.74	78.51	11.30
	14	45.84	6.84	54.79	8.34	63.56	9.92	67.95	10.71	72.33	11.52	75.92	11.74	77.7	11.28
	16	45.84	6.96	54.79	8.49	63.56	10.10	67.95	10.91	72.33	11.74	74.93	11.80	76.59	11.92
	18	45.84	7.10	54.79	8.65	63.56	10.31	67.95	11.20	72.33	12.31	73.88	12.40	75.6	12.53
	19	45.84	7.24	54.79	8.84	63.56	10.91	67.95	12.06	71.22	12.92	73.01	13.02	74.55	13.12
	21	45.84	7.31	54.79	9.10	63.56	11.30	67.95	12.51	70.85	13.21	72.33	13.31	74.12	13.44
	23	45.84	7.65	54.79	9.74	63.56	12.13	67.95	13.40	69.74	13.80	71.53	13.93	73.01	14.06
	25	45.84	8.15	54.79	10.43	63.56	12.97	67.95	14.37	68.75	14.40	70.42	14.54	72.21	14.66
	27	45.84	8.70	54.79	11.16	63.56	13.87	66.84	14.96	67.7	15.00	69.43	15.14	70.98	15.30
	29	45.84	9.27	54.79	11.90	63.56	14.84	66.03	15.57	66.84	15.65	68.38	15.79	70.17	15.92
	31	45.84	9.90	54.79	12.67	63.56	15.83	64.8	16.18	65.72	16.25	67.51	16.38	69.05	16.54
	33	45.84	10.52	54.79	13.52	63.13	16.68	63.99	16.77	64.8	16.85	66.47	17.01	68.19	17.19
	35	45.84	11.19	54.79	14.40	62.2	17.30	62.88	17.39	63.68	17.47	65.35	17.65	67.14	17.81
	37	45.84	11.92	54.79	15.34	61.09	17.92	62.01	18.00	62.57	18.08	64.37	18.28	66.03	18.43
	39	45.84	12.66	54.79	16.34	59.98	18.53	60.97	18.62	61.77	18.70	63.25	18.89	65.04	19.09
41	45.58	13.30	54.23	17.19	59.73	18.98	60.66	19.29	61.21	19.38	62.76	19.52	64.49	19.71	
43	45.28	14.02	53.8	17.94	59.17	19.53	60.29	19.93	60.78	20.08	62.45	20.26	63.81	20.47	
46	43.67	14.74	52.13	18.75	57.63	20.06	58.49	20.58	59.17	20.83	60.78	21.05	62.2	21.30	
48	41.88	15.49	50.41	19.72	55.84	20.62	56.58	21.33	57.63	21.62	59.17	21.81	60.53	22.03	
50	40.09	16.25	48.43	20.71	54.23	21.33	54.92	21.90	56.02	22.23	57.63	22.45	59.05	22.63	
52	38.42	16.94	46.7	21.62	52.32	22.03	53.37	22.51	54.11	22.71	55.72	22.99	57.07	23.34	
100%	10	41.76	5.96	49.66	7.24	57.82	8.56	61.77	9.25	65.72	9.98	73.88	11.30	78.07	11.74
	12	41.76	6.05	49.66	7.34	57.82	8.67	61.77	9.36	65.72	10.18	73.88	11.51	77.03	11.66
	14	41.76	6.15	49.66	7.46	57.82	8.83	61.77	9.53	65.72	10.36	73.88	11.70	76.04	11.56
	16	41.76	6.28	49.66	7.63	57.82	9.03	61.77	9.74	65.72	10.61	73.56	11.97	74.93	11.82
	18	41.76	6.40	49.66	7.81	57.82	9.20	61.77	9.93	65.72	10.79	72.64	12.19	74.12	12.38
	19	41.76	6.53	49.66	7.92	57.82	9.52	61.77	10.47	65.72	11.51	71.53	12.83	73.01	13.02
	21	41.76	6.58	49.66	8.00	57.82	9.82	61.77	10.83	65.72	11.88	70.98	13.26	72.64	13.38
	23	41.76	6.75	49.66	8.55	57.82	10.57	61.77	11.64	65.72	12.79	70.17	14.04	71.53	14.17

AUX ARV OUTDOOR UNIT – ARV 6 ALL DC INVERTER T1 50&60HZ

	25	41.76	7.19	49.66	9.10	57.82	11.25	61.77	12.38	65.72	13.67	69.05	14.54	70.54	14.69
	27	41.76	7.69	49.66	9.71	57.82	12.06	61.50	13.28	65.72	14.66	67.95	15.06	69.43	15.20
	29	41.76	8.13	49.66	10.38	57.82	12.90	61.50	14.19	65.72	15.55	66.96	15.79	68.5	15.92
	31	41.76	8.65	49.66	11.05	57.82	13.75	61.50	15.00	65.72	16.17	65.48	16.43	67.51	16.58
	33	41.76	9.20	49.66	11.78	57.82	14.66	61.50	15.40	65.72	16.75	65.23	16.89	66.58	17.06
	35	41.76	9.80	49.66	12.54	57.82	15.63	61.50	15.85	63.56	17.35	63.99	17.51	65.48	17.66
	37	41.76	10.43	49.66	13.36	57.82	16.65	61.50	16.99	63.56	17.98	63	18.12	64.49	18.28
	39	41.76	11.10	49.66	14.21	57.82	17.72	61.50	18.48	63.56	18.58	62.2	18.70	63	18.88
	41	41.44	11.74	49.42	14.84	57.26	18.53	61.21	18.98	63.56	19.33	61.77	19.41	62.57	19.58
	43	40.77	12.42	48.86	15.69	56.7	19.29	60.53	19.58	62.33	19.96	61.34	20.00	62.33	20.17
	46	39.1	13.15	47.07	16.58	54.92	20.26	58.49	20.39	60.66	20.62	59.86	20.71	60.66	20.87
	48	37.31	13.78	45.46	17.34	53.12	21.16	56.7	21.20	59.17	21.25	58.31	21.40	59.17	21.52
	50	35.7	14.48	43.92	18.12	51.33	22.03	54.92	22.16	57.63	22.31	56.7	22.45	57.63	22.63
	52	33.6	15.18	41.88	18.83	49.66	22.95	53.12	23.09	55.84	23.20	54.92	23.26	56.15	23.52
90%	10	37.49	5.20	44.6	6.23	52.01	7.31	55.59	8.24	59.17	8.78	66.47	10.03	73.69	11.38
	12	37.49	5.27	44.6	6.33	52.01	7.41	55.59	8.34	59.17	8.93	66.47	10.22	73.69	11.54
	14	37.49	5.36	44.6	6.44	52.01	7.53	55.59	8.46	59.17	9.10	66.47	10.39	73.69	11.72
	16	37.49	5.47	44.6	6.58	52.01	7.71	55.59	8.67	59.17	9.29	66.47	10.62	73.45	11.95
	18	37.49	5.60	44.6	6.74	52.01	7.86	55.59	8.83	59.17	9.48	66.47	10.89	72.76	12.38
	19	37.49	5.69	44.6	6.82	52.01	8.10	55.59	9.01	59.17	9.86	66.47	11.70	71.53	12.90
	21	37.49	5.75	44.6	6.90	52.01	8.39	55.59	9.30	59.17	10.22	66.47	12.09	70.98	13.20
	23	37.49	5.89	44.6	7.37	52.01	9.03	55.59	10.02	59.17	10.93	66.47	12.99	69.86	13.87
	25	37.49	6.27	44.6	7.84	52.01	9.61	55.59	10.69	59.17	11.70	66.47	13.89	69.05	14.44
	27	37.49	6.70	44.6	8.38	52.01	10.29	55.59	11.40	59.17	12.53	66.47	14.82	67.95	15.08
	29	37.49	7.10	44.6	8.95	52.01	11.02	55.59	12.19	59.17	13.36	65.72	15.55	67.14	15.66
	31	37.49	7.55	44.6	9.53	52.01	11.74	55.59	13.00	59.17	14.25	64.67	16.10	66.03	16.43
	33	37.49	8.02	44.6	10.16	52.01	12.53	55.59	13.83	59.17	15.16	63.68	16.88	65.04	16.89
	35	37.49	8.54	44.6	10.81	52.01	13.36	55.59	14.74	59.17	16.24	62.57	17.35	63.99	17.51
	37	37.49	9.10	44.6	11.51	52.01	14.21	60.66	15.28	59.17	17.35	61.52	18.00	63.13	17.94
	39	37.49	9.69	44.6	12.26	52.01	15.13	59.86	15.79	59.17	18.42	60.66	18.65	62.01	18.60
80%	41	37.19	10.24	44.35	12.80	51.45	15.66	59.73	16.30	58.74	19.25	60.1	19.35	61.77	19.41
	43	36.63	10.83	43.92	13.38	51.21	16.22	59.3	16.89	57.82	19.78	59.3	19.94	61.34	20.00
	46	34.84	11.42	43.67	13.96	49.54	16.78	57.63	17.35	56.27	20.29	57.63	20.43	59.73	20.48
	48	33.23	12.00	41.88	14.53	48.05	17.41	56.02	17.94	54.48	20.89	56.4	21.05	57.82	21.10
	50	31.56	12.63	39.96	15.08	46.27	18.07	54.36	18.63	52.99	21.52	54.92	21.64	56.27	21.80
	52	29.78	13.30	38.42	15.71	44.35	18.62	52.44	19.27	51.08	22.06	53.37	22.19	54.48	22.33
	10	33.36	4.72	39.66	5.65	46.27	6.64	49.42	7.17	52.56	7.69	59.17	8.78	65.48	10.19
	12	33.36	4.80	39.66	5.75	46.27	6.77	49.42	7.31	52.56	7.82	59.17	8.93	65.48	10.10
	14	33.36	4.89	39.66	5.87	46.27	6.90	49.42	7.43	52.56	7.97	59.17	9.09	65.48	10.33
	16	33.36	4.96	39.66	5.96	46.27	7.03	49.42	7.56	52.56	8.10	59.17	9.27	65.48	10.71
	18	33.36	5.06	39.66	6.08	46.27	7.19	49.42	7.72	52.56	8.22	59.17	9.51	65.48	11.45
	19	33.36	5.15	39.66	6.18	46.27	7.31	49.42	7.88	52.56	8.43	59.17	9.82	65.48	11.86
21	33.36	5.18	39.66	6.23	46.27	7.37	49.42	7.97	52.56	8.62	59.17	10.19	65.48	12.69	
23	33.36	5.28	39.66	6.37	46.27	7.72	49.42	8.46	52.56	9.22	59.17	10.89	65.48	13.60	
25	33.36	5.44	39.66	6.77	46.27	8.28	49.42	9.05	52.56	9.84	59.17	11.67	65.48	14.48	

AUX ARV OUTDOOR UNIT – ARV 6 ALL DC INVERTER T1 50&60HZ

	27	33.36	5.81	39.66	7.21	46.27	8.81	49.42	9.66	52.56	10.57	59.17	12.45	65.48	15.00
	29	33.36	6.18	39.66	7.69	46.27	9.38	49.42	10.28	52.56	11.26	59.17	13.30	65.48	15.55
	31	33.36	6.53	39.66	8.17	46.27	9.98	49.42	10.97	52.56	12.00	59.17	14.19	64.37	16.12
	33	33.36	6.96	39.66	9.10	46.27	10.63	49.42	11.67	52.56	12.79	59.17	15.13	63.56	16.70
	35	33.36	7.37	39.66	9.33	46.27	11.30	49.42	12.45	52.56	13.61	59.17	16.15	62.45	17.30
	37	33.36	7.82	39.66	9.81	46.27	12.03	48.61	13.26	52.56	14.48	59.17	17.19	61.52	17.94
	39	33.36	8.29	39.66	10.39	46.27	12.80	47.93	14.12	52.56	15.44	59.17	18.32	60.41	18.62
	41	32.92	8.88	39.29	10.99	45.95	13.36	47.38	14.61	52.13	15.96	58.74	18.84	59.98	19.29
	43	32.55	9.38	38.54	11.54	45.84	13.91	46.82	15.25	51.64	16.72	58.19	19.41	59.73	19.98
	46	30.76	9.93	37.06	12.14	44.04	14.53	45.28	15.85	49.97	17.29	56.58	19.98	57.82	20.57
	48	29.09	10.59	35.15	12.71	42.56	14.98	43.24	16.30	48.31	18.00	54.92	20.69	56.27	21.16
	50	27.42	11.23	33.36	13.31	40.89	15.55	41.44	16.89	46.7	17.34	53.37	21.28	54.48	21.66
	52	25.7	11.85	31.69	13.77	37.49	16.17	39.96	17.35	44.72	17.94	51.45	21.99	52.88	22.35
70%	10	29.22	4.17	34.72	4.94	40.52	5.75	43.24	6.18	45.95	6.64	51.76	7.53	57.39	8.46
	12	29.22	4.21	34.72	5.00	40.52	5.87	43.24	6.30	45.95	6.75	51.76	7.69	57.39	8.64
	14	29.22	4.28	34.72	5.10	40.52	5.96	43.24	6.40	45.95	6.88	51.76	7.82	57.39	8.81
	16	29.22	4.35	34.72	5.18	40.52	6.08	43.24	6.53	45.95	7.00	51.76	7.97	57.39	8.97
	18	29.22	4.43	34.72	5.28	40.52	6.18	43.24	6.64	45.95	7.11	51.76	8.12	57.39	9.15
	19	29.22	4.48	34.72	5.37	40.52	6.30	43.24	6.77	45.95	7.27	51.76	8.29	57.39	9.39
	21	29.22	4.54	34.72	5.42	40.52	6.36	43.24	6.84	45.95	7.34	51.76	8.38	57.39	9.74
	23	29.22	4.61	34.72	5.53	40.52	6.49	43.24	7.08	45.95	7.71	51.76	8.99	57.39	10.43
	25	29.22	4.72	34.72	5.75	40.52	6.91	43.24	7.56	45.95	8.22	51.76	9.64	57.39	11.16
	27	29.22	4.98	34.72	6.11	40.52	7.37	43.24	8.05	45.95	8.78	51.76	10.28	57.39	13.26
	29	29.22	5.28	34.72	6.49	40.52	7.84	43.24	8.58	45.95	9.35	51.76	10.97	57.39	12.73
	31	29.22	5.60	34.72	6.91	40.52	8.36	43.24	9.11	45.95	9.93	51.76	11.67	57.39	13.57
	33	29.22	5.94	34.72	7.37	40.52	8.89	43.24	9.71	45.95	10.59	51.76	12.45	57.39	14.48
	35	29.22	6.28	34.72	7.84	40.52	9.43	43.24	10.33	45.95	11.28	51.76	13.26	57.39	15.42
	37	29.22	6.64	34.72	8.36	40.52	10.03	43.24	10.99	45.95	11.99	51.76	14.12	57.39	16.43
	39	29.22	7.03	34.72	8.89	40.52	10.63	43.24	11.66	45.95	12.73	51.76	15.00	57.39	17.49
60%	41	28.85	7.49	34.35	9.38	40.09	11.25	42.81	12.31	45.58	13.36	51.45	15.53	56.95	18.08
	43	28.29	7.94	33.79	9.93	39.78	11.85	42.56	12.87	45.15	13.99	51.08	16.01	56.4	18.67
	46	26.62	8.46	32.12	10.62	38.17	12.42	40.52	13.36	43.37	14.64	49.54	16.58	54.92	19.46
	48	25.14	8.97	30.33	11.25	36.26	13.02	38.86	13.91	41.88	15.39	48.05	17.19	53.12	20.17
	50	23.47	9.38	28.85	11.83	34.59	13.54	37.19	14.35	40.21	16.05	46.27	17.89	51.45	21.02
	52	21.99	9.94	26.75	12.47	32.92	14.12	35.7	14.84	38.42	16.75	44.47	18.49	49.97	21.85
	10	24.95	3.62	29.78	4.25	34.72	4.90	37.06	5.26	39.41	5.61	44.35	6.36	49.17	7.11
	12	24.95	3.67	29.78	4.30	34.72	5.00	37.06	5.36	39.41	5.71	44.35	6.48	49.17	7.24
	14	24.95	3.72	29.78	4.37	34.72	5.06	37.06	5.44	39.41	5.82	44.35	6.58	49.17	7.37
	16	24.95	3.78	29.78	4.44	34.72	5.16	37.06	5.53	39.41	5.91	44.35	6.70	49.17	7.53
18	24.95	3.83	29.78	4.53	34.72	5.26	37.06	5.63	39.41	6.02	44.35	6.82	49.17	7.65	
19	24.95	3.89	29.78	4.61	34.72	5.36	37.06	5.75	39.41	6.15	44.35	6.96	49.17	7.82	
21	24.95	3.93	29.78	4.63	34.72	5.41	37.06	5.81	39.41	6.18	44.35	7.03	49.17	7.89	
23	24.95	3.97	29.78	4.72	34.72	5.49	37.06	5.91	39.41	6.30	44.35	7.31	49.17	8.39	
25	24.95	4.06	29.78	4.82	34.72	5.71	37.06	6.18	39.41	6.70	44.35	7.81	49.17	8.97	
27	24.95	4.21	29.78	5.10	34.72	6.08	37.06	6.62	39.41	7.15	44.35	8.30	49.17	9.56	

AUX ARV OUTDOOR UNIT – ARV 6 ALL DC INVERTER T1 50&60HZ

	29	24.95	4.44	29.78	5.41	34.72	6.48	37.06	7.03	39.41	7.61	44.35	8.88	49.17	10.22
	31	24.95	4.72	29.78	5.75	34.72	6.88	37.06	7.46	39.41	8.10	44.35	9.43	49.17	10.87
	33	24.95	4.98	29.78	6.08	34.72	7.29	37.06	7.92	39.41	8.62	44.35	10.03	49.17	11.58
	35	24.95	5.28	29.78	6.44	34.72	7.72	37.06	8.43	39.41	9.15	44.35	10.69	49.17	12.33
	37	24.95	5.60	29.78	6.82	34.72	8.18	37.06	8.93	39.41	9.71	44.35	11.36	49.17	13.12
	39	24.95	5.89	29.78	7.21	34.72	8.69	37.06	9.46	39.41	10.31	44.35	12.06	49.17	13.96
	41	24.71	6.30	29.52	7.63	34.35	9.22	36.26	10.08	39.1	10.71	43.92	12.66	48.61	14.48
	43	24.15	6.70	29.22	8.05	33.79	9.81	35.7	10.61	38.54	11.28	43.37	13.30	48.05	15.13
	46	22.48	7.20	27.42	8.62	31.99	10.52	33.79	11.25	37.06	11.85	41.76	13.93	46.27	15.69
	48	20.87	7.69	25.7	9.05	30.33	11.12	32.12	11.83	35.15	12.27	40.89	14.53	44.47	16.28
	50	19.21	8.20	24.03	9.51	28.85	11.82	30.64	12.42	33.36	12.84	39.29	15.18	42.81	16.85
	52	17.3	8.69	22.36	9.94	27.05	12.33	28.97	13.02	31.69	13.38	37.49	15.83	41.2	17.27
50%	10	20.87	3.12	24.83	3.62	28.97	4.13	30.88	4.40	32.8	4.64	36.93	5.24	41.01	5.83
	12	20.87	3.15	24.83	3.66	28.97	4.18	30.88	4.44	32.8	4.74	36.93	5.34	41.01	5.94
	14	20.87	3.20	24.83	3.72	28.97	4.25	30.88	4.54	32.8	4.82	36.93	5.42	41.01	6.07
	16	20.87	3.25	24.83	3.75	28.97	4.30	30.88	4.61	32.8	4.89	36.93	5.53	41.01	6.15
	18	20.87	3.28	24.83	3.82	28.97	4.37	30.88	4.68	32.8	4.98	36.93	5.61	41.01	6.25
	19	20.87	3.34	24.83	3.87	28.97	4.44	30.88	4.76	32.8	5.06	36.93	5.71	41.01	6.37
	21	20.87	3.36	24.83	3.90	28.97	4.48	30.88	4.80	32.8	5.13	36.93	5.77	41.01	6.44
	23	20.87	3.40	24.83	3.96	28.97	4.56	30.88	4.89	32.8	5.21	36.93	5.87	41.01	6.58
	25	20.87	3.44	24.83	4.03	28.97	4.64	30.88	4.98	32.8	5.37	36.93	6.18	41.01	7.03
	27	20.87	3.52	24.83	4.18	28.97	4.90	30.88	5.30	32.8	5.71	36.93	6.56	41.01	7.49
	29	20.87	3.72	24.83	4.43	28.97	5.21	30.88	5.63	32.8	6.08	36.93	7.00	41.01	8.00
	31	20.87	3.90	24.83	4.68	28.97	5.56	30.88	5.99	32.8	6.44	36.93	7.43	41.01	8.49
	33	20.87	4.15	24.83	4.96	28.97	5.87	30.88	6.34	32.8	6.84	36.93	7.89	41.01	9.03
	35	20.87	4.37	24.83	5.24	28.97	6.18	30.88	6.70	32.8	7.24	36.93	8.38	41.01	9.58
	37	20.87	4.61	24.83	5.53	28.97	6.56	30.88	7.10	32.8	7.69	36.93	8.89	41.01	10.19
	39	20.87	4.87	24.83	5.83	28.97	6.94	30.88	7.53	32.8	8.15	36.93	9.43	41.01	10.83
	41	20.32	5.15	24.46	6.36	28.41	7.41	30.76	7.94	32.55	8.79	36.63	9.94	40.77	11.36
	43	19.77	5.34	23.9	6.70	27.98	7.86	30.33	8.46	31.99	9.38	35.95	10.48	40.52	11.85
46	18.1	5.61	22.24	7.24	26.37	8.17	28.85	8.93	30.33	9.98	34.35	10.99	38.86	12.27	
48	16.62	6.08	20.76	7.77	24.71	8.60	27.18	9.35	28.85	10.63	32.68	11.58	37.19	12.92	
50	15.07	6.53	19.21	8.29	23.04	9.05	24.15	9.76	27.05	11.28	30.76	12.03	35.7	13.49	
52	13.83	6.70	17.54	8.85	21.13	9.41	22.36	10.24	25.38	12.02	28.85	12.63	33.6	14.06	

7.2 Heating Capacity table

7.2.1 ARV-H250/SR1MV

Combination	Outdoor air		Indoor temperature(°C DB)											
			16		18		20		21		22		24	
	Capacity index	temp. (°C DB)	TC	PI	TC	PI	TC	PI	TC	PI	TC	PI	TC	PI
kW			kW	kW	kW	kW	kW	kW	kW	kW	kW	kW	kW	kW
130%	-14.7	-15	18.15	4.25	18.15	4.34	18.15	4.43	17.44	4.23	16.76	4.05	15.33	3.66
	-12.6	-13	18.49	4.32	18.49	4.41	18.49	4.51	17.75	4.31	17.05	4.11	15.63	3.71
	-10.5	-11	18.93	4.39	18.93	4.49	18.93	4.58	18.22	4.38	17.46	4.18	15.99	3.78
	-9.5	-10	20.84	4.42	20.84	4.52	20.84	4.61	20.04	4.41	19.23	4.21	17.61	3.80
	-8.5	-9.1	21.58	4.46	21.58	4.56	21.58	4.65	20.75	4.45	19.9	4.24	18.25	3.84
	-7	-7.6	21.93	4.51	21.93	4.60	21.93	4.70	21.08	4.50	20.24	4.29	18.51	3.88
	-5	-5.6	22.25	4.58	22.25	4.68	22.25	4.77	21.39	4.57	20.52	4.35	18.8	3.94
	-3	-3.7	24.61	4.65	24.61	4.75	24.61	4.84	23.64	4.63	22.7	4.41	20.79	3.99
	0	-0.7	26.54	4.75	26.54	4.85	26.54	4.95	25.5	4.73	24.48	4.51	22.42	4.08
	3	2.2	28.9	4.85	28.9	4.95	28.9	5.05	27.78	4.83	26.63	4.60	24.39	4.16
	5	4.1	31.98	4.91	31.98	5.02	31.98	5.13	30.73	4.89	29.49	4.67	26.96	4.23
	7	6	31.5	4.98	31.5	5.08	31.5	5.19	30.26	4.96	29.04	4.74	26.56	4.28
	9	7.9	31.5	4.81	31.5	4.91	31.5	5.02	30.26	4.79	29.04	4.58	26.56	4.14
	11	9.8	31.5	4.65	31.5	4.75	31.5	4.84	30.26	4.63	29.04	4.41	26.56	3.99
	13	11.8	31.5	4.47	31.5	4.57	31.5	4.67	30.26	4.46	29.04	4.26	26.56	3.85
15	13.7	31.5	4.31	31.5	4.41	31.5	4.50	30.26	4.30	29.04	4.10	26.56	3.70	
120%	-14.7	-15	18.15	4.38	18.15	4.47	18.15	4.57	17.44	4.36	16.76	4.16	15.33	3.77
	-12.6	-13	18.49	4.45	18.49	4.55	18.49	4.64	17.75	4.44	17.05	4.23	15.63	3.83
	-10.5	-11	18.93	4.52	18.93	4.61	18.93	4.71	18.22	4.51	17.46	4.30	15.99	3.89
	-9.5	-10	20.84	4.56	20.84	4.65	20.84	4.76	20.04	4.55	19.23	4.33	17.61	3.92
	-8.5	-9.1	21.58	4.59	21.58	4.68	21.58	4.78	20.75	4.58	19.9	4.37	18.25	3.95
	-7	-7.6	21.93	4.64	21.93	4.75	21.93	4.84	21.08	4.63	20.24	4.41	18.51	3.99
	-5	-5.6	22.25	4.71	22.25	4.81	22.25	4.91	21.39	4.69	20.52	4.48	18.8	4.05
	-3	-3.7	24.61	4.78	24.61	4.88	24.61	4.98	23.64	4.77	22.7	4.55	20.79	4.11
	0	-0.7	26.54	4.88	26.54	4.98	26.54	5.09	25.5	4.86	24.48	4.65	22.42	4.20
	3	2.2	28.9	4.98	28.9	5.09	28.9	5.20	27.78	4.97	26.63	4.75	24.39	4.29
	5	4.1	31.98	5.05	31.98	5.16	31.98	5.27	30.73	5.04	29.49	4.80	26.96	4.35
	7	6	31.5	5.13	31.5	5.23	31.5	5.34	30.26	5.11	29.04	4.87	26.56	4.41
	9	7.9	31.5	4.96	31.5	5.05	31.5	5.16	30.26	4.94	29.04	4.71	26.56	4.26
	11	9.8	31.5	4.78	31.5	4.88	31.5	4.98	30.26	4.77	29.04	4.55	26.56	4.11
	13	11.8	31.5	4.60	31.5	4.70	31.5	4.80	30.26	4.59	29.04	4.38	26.56	3.96
15	13.7	31.5	4.44	31.5	4.53	31.5	4.63	30.26	4.42	29.04	4.22	26.56	3.81	
110%	-14.7	-15	18.15	4.46	18.15	4.56	18.15	4.65	17.44	4.45	16.76	4.25	15.33	3.84
	-12.6	-13	18.49	4.53	18.49	4.63	18.49	4.74	17.75	4.52	17.05	4.32	15.63	3.90
	-10.5	-11	18.93	4.61	18.93	4.70	18.93	4.80	18.22	4.59	17.46	4.39	15.99	3.96
	-9.5	-10	20.84	4.65	20.84	4.75	20.84	4.85	20.04	4.63	19.23	4.41	17.61	3.99
	-8.5	-9.1	21.58	4.68	21.58	4.78	21.58	4.87	20.75	4.67	19.9	4.45	18.25	4.03

AUX ARV OUTDOOR UNIT – ARV 6 ALL DC INVERTER T1 50&60HZ

	-7	-7.6	21.93	4.74	21.93	4.84	21.93	4.94	21.08	4.72	20.24	4.50	18.51	4.07
	-5	-5.6	22.25	4.80	22.25	4.91	22.25	5.01	21.39	4.79	20.52	4.57	18.8	4.14
	-3	-3.7	24.61	4.87	24.61	4.98	24.61	5.08	23.64	4.86	22.7	4.64	20.79	4.19
	0	-0.7	26.54	4.98	26.54	5.08	26.54	5.19	25.5	4.96	24.48	4.74	22.42	4.28
	3	2.2	28.9	5.08	28.9	5.19	28.9	5.30	27.78	5.06	26.63	4.84	24.39	4.38
	5	4.1	31.98	5.15	31.98	5.26	31.98	5.38	30.73	5.14	29.49	4.90	26.96	4.43
	7	6	31.5	5.23	31.5	5.34	31.5	5.44	30.26	5.21	29.04	4.97	26.56	4.50
	9	7.9	31.5	5.05	31.5	5.15	31.5	5.26	30.26	5.04	29.04	4.80	26.56	4.34
	11	9.8	31.5	4.87	31.5	4.98	31.5	5.08	30.26	4.86	29.04	4.64	26.56	4.19
	13	11.8	31.5	4.69	31.5	4.80	31.5	4.90	30.26	4.68	29.04	4.47	26.56	4.05
	15	13.7	31.5	4.52	31.5	4.61	31.5	4.72	30.26	4.51	29.04	4.31	26.56	3.89
100%	-14.7	-15	16.55	3.97	16.55	4.06	16.55	4.14	15.91	3.96	15.27	3.78	14.02	3.41
	-12.6	-13	16.85	4.04	16.85	4.13	16.85	4.21	16.19	4.03	15.56	3.84	14.24	3.47
	-10.5	-11	17.26	4.10	17.26	4.19	17.26	4.28	16.61	4.09	15.93	3.90	14.59	3.53
	-9.5	-10	18.99	4.14	18.99	4.23	18.99	4.32	18.25	4.13	17.51	3.93	16.07	3.56
	-8.5	-9.1	19.66	4.16	19.66	4.25	19.66	4.35	18.91	4.15	18.14	3.96	16.62	3.59
	-7	-7.6	19.98	4.22	19.98	4.31	19.98	4.39	19.2	4.20	18.42	4.01	16.89	3.62
	-5	-5.6	20.27	4.28	20.27	4.37	20.27	4.46	19.47	4.26	18.71	4.07	17.14	3.68
	-3	-3.7	22.42	4.34	22.42	4.43	22.42	4.52	21.54	4.32	20.66	4.13	18.94	3.73
	0	-0.7	24.17	4.43	24.17	4.53	24.17	4.62	23.22	4.41	22.29	4.22	20.41	3.81
	3	2.2	26.33	4.53	26.33	4.62	26.33	4.72	25.3	4.51	24.27	4.31	22.22	3.89
	5	4.1	29.1	4.59	29.1	4.68	29.1	4.78	27.97	4.57	26.85	4.36	24.56	3.95
	7	6	28.67	4.65	28.67	4.76	28	4.91	27.54	4.64	26.44	4.42	24.18	4.00
	9	7.9	28.67	4.50	28.67	4.59	28	4.68	27.54	4.48	26.44	4.28	24.18	3.86
	11	9.8	28.67	4.34	28.67	4.43	28	4.52	27.54	4.32	26.44	4.13	24.18	3.73
	13	11.8	28.67	4.18	28.67	4.27	28	4.36	27.54	4.17	26.44	3.97	24.18	3.59
15	13.7	28.67	4.03	28.67	4.11	28	4.20	27.54	4.02	26.44	3.83	24.18	3.46	
90%	-14.7	-15	14.95	3.50	14.95	3.59	14.95	3.66	14.37	3.50	13.8	3.33	12.67	3.02
	-12.6	-13	15.21	3.57	15.21	3.64	15.21	3.72	14.62	3.56	14.03	3.40	12.89	3.07
	-10.5	-11	15.58	3.63	15.58	3.70	15.58	3.78	15	3.61	14.39	3.45	13.19	3.12
	-9.5	-10	17.14	3.65	17.14	3.73	17.14	3.80	16.47	3.64	15.83	3.47	14.48	3.14
	-8.5	-9.1	17.75	3.68	17.75	3.76	17.75	3.84	17.05	3.67	16.39	3.50	15.01	3.16
	-7	-7.6	18.03	3.72	18.03	3.80	18.03	3.88	17.34	3.70	16.64	3.54	15.23	3.20
	-5	-5.6	18.29	3.78	18.29	3.86	18.29	3.94	17.59	3.77	16.89	3.59	15.45	3.25
	-3	-3.7	20.23	3.83	20.23	3.91	20.23	3.99	19.44	3.82	18.66	3.65	17.09	3.30
	0	-0.7	21.8	3.91	21.8	3.99	21.8	4.08	20.97	3.90	20.11	3.72	18.41	3.36
	3	2.2	23.73	3.99	23.73	4.08	23.73	4.16	22.79	3.99	21.88	3.80	20.04	3.44
	5	4.1	26.25	4.05	26.25	4.14	26.25	4.23	25.21	4.04	24.2	3.86	22.16	3.49
	7	6	25.85	4.11	25.85	4.19	25.85	4.28	24.84	4.10	23.84	3.90	21.81	3.53
	9	7.9	25.85	3.97	25.85	4.05	25.85	4.14	24.84	3.96	23.84	3.78	21.81	3.41
	11	9.8	25.85	3.83	25.85	3.91	25.85	3.99	24.84	3.82	23.84	3.65	21.81	3.30
	13	11.8	25.85	3.69	25.85	3.77	25.85	3.86	24.84	3.68	23.84	3.51	21.81	3.17
15	13.7	25.85	3.56	25.85	3.63	25.85	3.70	24.84	3.55	23.84	3.39	21.81	3.05	
80%	-14.7	-15	13.35	3.07	13.35	3.14	13.35	3.20	12.85	3.06	12.31	2.92	11.31	2.65
	-12.6	-13	13.58	3.13	13.58	3.19	13.58	3.25	13.06	3.11	12.54	2.97	11.5	2.68

AUX ARV OUTDOOR UNIT – ARV 6 ALL DC INVERTER T1 50&60HZ

	-10.5	-11	13.91	3.17	13.91	3.23	13.91	3.31	13.36	3.16	12.85	3.02	11.79	2.73
	-9.5	-10	15.29	3.20	15.29	3.26	15.29	3.33	14.72	3.19	14.12	3.04	12.94	2.74
	-8.5	-9.1	15.83	3.23	15.83	3.29	15.83	3.36	15.23	3.21	14.61	3.06	13.39	2.77
	-7	-7.6	16.08	3.25	16.08	3.32	16.08	3.40	15.46	3.25	14.85	3.10	13.61	2.80
	-5	-5.6	16.31	3.31	16.31	3.38	16.31	3.44	15.67	3.30	15.07	3.14	13.79	2.84
	-3	-3.7	18.03	3.35	18.03	3.42	18.03	3.50	17.34	3.34	16.65	3.19	15.24	2.88
	0	-0.7	19.43	3.42	19.43	3.50	19.43	3.58	18.69	3.41	17.92	3.25	16.41	2.94
	3	2.2	21.13	3.50	21.13	3.58	21.13	3.65	20.31	3.49	19.5	3.32	17.86	3.01
	5	4.1	23.38	3.55	23.38	3.62	23.38	3.70	22.45	3.53	21.57	3.37	19.73	3.05
	7	6	23.02	3.59	23.02	3.68	23.02	3.75	22.12	3.59	21.25	3.41	19.43	3.10
	9	7.9	23.02	3.47	23.02	3.55	23.02	3.62	22.12	3.46	21.25	3.31	19.43	2.99
	11	9.8	23.02	3.35	23.02	3.42	23.02	3.50	22.12	3.34	21.25	3.19	19.43	2.88
	13	11.8	23.02	3.23	23.02	3.30	23.02	3.37	22.12	3.23	21.25	3.07	19.43	2.77
	15	13.7	23.02	3.11	23.02	3.17	23.02	3.24	22.12	3.11	21.25	2.96	19.43	2.68
70%	-14.7	-15	11.74	2.63	11.74	2.68	11.74	2.74	11.31	2.62	10.85	2.50	9.97	2.26
	-12.6	-13	11.95	2.68	11.95	2.73	11.95	2.79	11.5	2.67	11.04	2.55	10.15	2.30
	-10.5	-11	12.23	2.71	12.23	2.77	12.23	2.83	11.76	2.71	11.31	2.59	10.39	2.34
	-9.5	-10	13.44	2.74	13.44	2.80	13.44	2.86	12.94	2.73	12.4	2.61	11.4	2.36
	-8.5	-9.1	13.91	2.76	13.91	2.82	13.91	2.87	13.39	2.75	12.85	2.62	11.79	2.37
	-7	-7.6	14.13	2.79	14.13	2.85	14.13	2.91	13.58	2.77	13.06	2.66	11.95	2.40
	-5	-5.6	14.33	2.83	14.33	2.89	14.33	2.96	13.79	2.82	13.24	2.69	12.12	2.43
	-3	-3.7	15.84	2.87	15.84	2.94	15.84	3.00	15.24	2.86	14.61	2.73	13.39	2.47
	0	-0.7	17.06	2.94	17.06	3.00	17.06	3.06	16.41	2.93	15.73	2.79	14.41	2.52
	3	2.2	18.56	3.00	18.56	3.06	18.56	3.13	17.83	2.99	17.11	2.85	15.69	2.58
	5	4.1	20.49	3.04	20.49	3.11	20.49	3.16	19.73	3.03	18.92	2.89	17.32	2.61
	7	6	20.2	3.08	20.2	3.14	20.2	3.22	19.41	3.07	18.62	2.93	17.06	2.65
	9	7.9	20.2	2.97	20.2	3.04	20.2	3.11	19.41	2.96	18.62	2.83	17.06	2.56
	11	9.8	20.2	2.87	20.2	2.94	20.2	3.00	19.41	2.86	18.62	2.74	17.06	2.47
	13	11.8	20.2	2.77	20.2	2.83	20.2	2.88	19.41	2.77	18.62	2.64	17.06	2.38
15	13.7	20.2	2.67	20.2	2.72	20.2	2.77	19.41	2.66	18.62	2.54	17.06	2.29	
60%	-14.7	-15	10.14	2.23	10.14	2.28	10.14	2.33	9.75	2.23	9.39	2.13	8.6	1.92
	-12.6	-13	10.31	2.27	10.31	2.32	10.31	2.37	9.93	2.26	9.55	2.16	8.76	1.95
	-10.5	-11	10.56	2.31	10.56	2.36	10.56	2.41	10.15	2.30	9.77	2.20	8.95	1.98
	-9.5	-10	11.6	2.33	11.6	2.38	11.6	2.42	11.16	2.32	10.72	2.21	9.85	2.00
	-8.5	-9.1	11.99	2.35	11.99	2.40	11.99	2.44	11.53	2.34	11.07	2.23	10.18	2.02
	-7	-7.6	12.18	2.37	12.18	2.42	12.18	2.47	11.72	2.37	11.24	2.26	10.33	2.04
	-5	-5.6	12.35	2.41	12.35	2.45	12.35	2.50	11.87	2.40	11.39	2.29	10.47	2.07
	-3	-3.7	13.64	2.44	13.64	2.49	13.64	2.54	13.1	2.43	12.6	2.32	11.53	2.10
	0	-0.7	14.69	2.49	14.69	2.55	14.69	2.59	14.13	2.49	13.55	2.37	12.44	2.14
	3	2.2	15.96	2.55	15.96	2.59	15.96	2.66	15.35	2.54	14.75	2.42	13.51	2.19
	5	4.1	17.65	2.59	17.65	2.64	17.65	2.69	16.97	2.57	16.28	2.45	14.92	2.23
	7	6	17.37	2.61	17.37	2.68	17.37	2.73	16.69	2.61	16.02	2.49	14.69	2.25
	9	7.9	17.37	2.52	17.37	2.59	17.37	2.64	16.69	2.52	16.02	2.41	14.69	2.17
	11	9.8	17.37	2.44	17.37	2.49	17.37	2.55	16.69	2.43	16.02	2.32	14.69	2.10
	13	11.8	17.37	2.35	17.37	2.40	17.37	2.45	16.69	2.35	16.02	2.24	14.69	2.02

AUX ARV OUTDOOR UNIT – ARV 6 ALL DC INVERTER T1 50&60HZ

	15	13.7	17.37	2.26	17.37	2.32	17.37	2.36	16.69	2.26	16.02	2.16	14.69	1.95
50%	-14.7	-15	8.54	1.80	8.54	1.85	8.54	1.88	8.22	1.80	7.9	1.71	7.25	1.55
	-12.6	-13	8.68	1.83	8.68	1.87	8.68	1.92	8.37	1.83	8.02	1.75	7.4	1.58
	-10.5	-11	8.88	1.86	8.88	1.91	8.88	1.95	8.54	1.86	8.24	1.77	7.55	1.59
	-9.5	-10	9.74	1.88	9.74	1.92	9.74	1.95	9.38	1.87	9.01	1.78	8.26	1.61
	-8.5	-9.1	10.08	1.89	10.08	1.93	10.08	1.97	9.68	1.88	9.31	1.80	8.56	1.63
	-7	-7.6	10.23	1.92	10.23	1.95	10.23	2.00	9.84	1.91	9.45	1.82	8.67	1.65
	-5	-5.6	10.37	1.95	10.37	1.98	10.37	2.03	9.99	1.94	9.58	1.85	8.81	1.68
	-3	-3.7	11.44	1.97	11.44	2.01	11.44	2.05	11	1.96	10.56	1.87	9.68	1.69
	0	-0.7	12.31	2.01	12.31	2.05	12.31	2.10	11.85	2.01	11.36	1.92	10.44	1.73
	3	2.2	13.39	2.05	13.39	2.10	13.39	2.14	12.88	2.05	12.36	1.95	11.33	1.77
	5	4.1	14.77	2.08	14.77	2.14	14.77	2.17	14.21	2.08	13.64	1.98	12.49	1.79
	7	6	14.55	2.12	14.55	2.16	14.55	2.21	13.98	2.11	13.42	2.01	12.31	1.82
	9	7.9	14.55	2.04	14.55	2.08	14.55	2.14	13.98	2.04	13.42	1.95	12.31	1.76
	11	9.8	14.55	1.97	14.55	2.01	14.55	2.05	13.98	1.96	13.42	1.87	12.31	1.69
	13	11.8	14.55	1.90	14.55	1.94	14.55	1.98	13.98	1.89	13.42	1.81	12.31	1.63
	15	13.7	14.55	1.83	14.55	1.86	14.55	1.91	13.98	1.82	13.42	1.74	12.31	1.57

7.2.2 ARV-H280/SR1MV

Combination	Outdoor air		Indoor temperature(°C DB)											
	Capacity index	temp. (°C DB)	16		18		20		21		22		24	
TC			PI	TC	PI	TC	PI	TC	PI	TC	PI	TC	PI	
			kW	kW	kW	kW	kW	kW	kW	kW	kW	kW	kW	kW
130%	-14.7	-15	20.16	5.07	20.16	5.18	20.16	5.29	19.37	5.06	18.62	4.82	17.04	4.37
	-12.6	-13	20.54	5.15	20.54	5.26	20.54	5.38	19.72	5.14	18.95	4.90	17.37	4.43
	-10.5	-11	21.04	5.24	21.04	5.35	21.04	5.46	20.24	5.22	19.4	4.98	17.77	4.51
	-9.5	-10	23.16	5.28	23.16	5.39	23.16	5.50	22.26	5.26	21.37	5.02	19.57	4.54
	-8.5	-9.1	23.98	5.33	23.98	5.43	23.98	5.55	23.06	5.31	22.11	5.06	20.27	4.57
	-7	-7.6	24.36	5.38	24.36	5.50	24.36	5.61	23.42	5.36	22.49	5.11	20.57	4.63
	-5	-5.6	24.72	5.46	24.72	5.58	24.72	5.69	23.76	5.44	22.81	5.19	20.89	4.70
	-3	-3.7	27.35	5.54	27.35	5.66	27.35	5.77	26.27	5.52	25.22	5.27	23.1	4.76
	0	-0.7	29.49	5.66	29.49	5.78	29.49	5.90	28.33	5.64	27.2	5.38	24.91	4.87
	3	2.2	32.11	5.78	32.11	5.90	32.11	6.02	30.87	5.76	29.59	5.50	27.1	4.97
	5	4.1	35.53	5.85	35.53	5.98	35.53	6.11	34.15	5.84	32.76	5.57	29.96	5.04
	7	6	35	5.94	35	6.06	35	6.19	33.62	5.92	32.27	5.65	29.51	5.11
	9	7.9	35	5.74	35	5.85	35	5.98	33.62	5.72	32.27	5.46	29.51	4.93
	11	9.8	35	5.54	35	5.66	35	5.77	33.62	5.52	32.27	5.27	29.51	4.76
	13	11.8	35	5.33	35	5.45	35	5.57	33.62	5.33	32.27	5.07	29.51	4.59
	15	13.7	35	5.14	35	5.25	35	5.36	33.62	5.13	32.27	4.89	29.51	4.42
120%	-14.7	-15	20.16	5.22	20.16	5.33	20.16	5.44	19.37	5.20	18.62	4.97	17.04	4.49
	-12.6	-13	20.54	5.31	20.54	5.42	20.54	5.54	19.72	5.29	18.95	5.05	17.37	4.56
	-10.5	-11	21.04	5.40	21.04	5.50	21.04	5.62	20.24	5.38	19.4	5.13	17.77	4.64
	-9.5	-10	23.16	5.44	23.16	5.55	23.16	5.67	22.26	5.42	21.37	5.17	19.57	4.67

AUX ARV OUTDOOR UNIT – ARV 6 ALL DC INVERTER T1 50&60HZ .

	-8.5	-9.1	23.98	5.48	23.98	5.59	23.98	5.71	23.06	5.46	22.11	5.21	20.27	4.71
	-7	-7.6	24.36	5.54	24.36	5.66	24.36	5.77	23.42	5.52	22.49	5.27	20.57	4.76
	-5	-5.6	24.72	5.62	24.72	5.74	24.72	5.85	23.76	5.60	22.81	5.34	20.89	4.83
	-3	-3.7	27.35	5.71	27.35	5.83	27.35	5.94	26.27	5.68	25.22	5.42	23.1	4.90
	0	-0.7	29.49	5.83	29.49	5.94	29.49	6.08	28.33	5.81	27.2	5.54	24.91	5.01
	3	2.2	32.11	5.94	32.11	6.08	32.11	6.20	30.87	5.93	29.59	5.66	27.1	5.11
	5	4.1	35.53	6.02	35.53	6.16	35.53	6.28	34.15	6.01	32.76	5.73	29.96	5.19
	7	6	35	6.11	35	6.24	35	6.37	33.62	6.10	32.27	5.82	29.51	5.26
	9	7.9	35	5.91	35	6.03	35	6.16	33.62	5.89	32.27	5.62	29.51	5.07
	11	9.8	35	5.71	35	5.83	35	5.94	33.62	5.68	32.27	5.42	29.51	4.90
	13	11.8	35	5.50	35	5.61	35	5.73	33.62	5.48	32.27	5.23	29.51	4.72
	15	13.7	35	5.29	35	5.41	35	5.52	33.62	5.27	32.27	5.03	29.51	4.55
110%	-14.7	-15	20.16	5.33	20.16	5.44	20.16	5.55	19.37	5.31	18.62	5.07	17.04	4.57
	-12.6	-13	20.54	5.41	20.54	5.52	20.54	5.65	19.72	5.40	18.95	5.15	17.37	4.66
	-10.5	-11	21.04	5.50	21.04	5.61	21.04	5.73	20.24	5.48	19.4	5.24	17.77	4.73
	-9.5	-10	23.16	5.54	23.16	5.66	23.16	5.78	22.26	5.52	21.37	5.27	19.57	4.76
	-8.5	-9.1	23.98	5.59	23.98	5.71	23.98	5.82	23.06	5.57	22.11	5.31	20.27	4.80
	-7	-7.6	24.36	5.65	24.36	5.76	24.36	5.89	23.42	5.63	22.49	5.37	20.57	4.85
	-5	-5.6	24.72	5.73	24.72	5.85	24.72	5.98	23.76	5.72	22.81	5.45	20.89	4.93
	-3	-3.7	27.35	5.82	27.35	5.94	27.35	6.06	26.27	5.80	25.22	5.53	23.1	4.99
	0	-0.7	29.49	5.94	29.49	6.06	29.49	6.19	28.33	5.92	27.2	5.65	24.91	5.11
	3	2.2	32.11	6.06	32.11	6.19	32.11	6.32	30.87	6.04	29.59	5.77	27.1	5.22
	5	4.1	35.53	6.15	35.53	6.28	35.53	6.41	34.15	6.12	32.76	5.85	29.96	5.29
	7	6	35	6.23	35	6.37	35	6.49	33.62	6.21	32.27	5.93	29.51	5.36
	9	7.9	35	6.02	35	6.15	35	6.28	33.62	6.00	32.27	5.73	29.51	5.18
	11	9.8	35	5.82	35	5.94	35	6.06	33.62	5.80	32.27	5.53	29.51	4.99
	13	11.8	35	5.60	35	5.72	35	5.85	33.62	5.59	32.27	5.33	29.51	4.82
15	13.7	35	5.40	35	5.50	35	5.63	33.62	5.38	32.27	5.14	29.51	4.64	
100%	-14.7	-15	18.39	4.74	18.39	4.84	18.39	4.94	17.67	4.72	16.96	4.52	15.58	4.08
	-12.6	-13	18.73	4.81	18.73	4.92	18.73	5.02	17.99	4.80	17.29	4.58	15.83	4.14
	-10.5	-11	19.18	4.89	19.18	4.99	19.18	5.10	18.46	4.89	17.7	4.66	16.21	4.21
	-9.5	-10	21.1	4.93	21.1	5.04	21.1	5.15	20.28	4.92	19.46	4.69	17.85	4.25
	-8.5	-9.1	21.85	4.97	21.85	5.07	21.85	5.18	21.01	4.95	20.16	4.72	18.47	4.28
	-7	-7.6	22.2	5.03	22.2	5.14	22.2	5.24	21.33	5.01	20.47	4.79	18.77	4.32
	-5	-5.6	22.52	5.10	22.52	5.21	22.52	5.33	21.64	5.08	20.78	4.85	19.04	4.39
	-3	-3.7	24.91	5.18	24.91	5.29	24.91	5.40	23.93	5.16	22.96	4.92	21.04	4.46
	0	-0.7	26.86	5.29	26.86	5.41	26.86	5.51	25.8	5.27	24.77	5.03	22.68	4.55
	3	2.2	29.25	5.41	29.25	5.51	29.25	5.63	28.11	5.38	26.97	5.14	24.69	4.64
	5	4.1	32.33	5.47	32.33	5.59	32.33	5.71	31.08	5.45	29.83	5.20	27.29	4.71
	7	6	31.86	5.55	31.86	5.67	31.5	5.89	30.6	5.53	29.38	5.28	26.87	4.78
	9	7.9	31.86	5.36	31.86	5.48	31.5	5.59	30.6	5.34	29.38	5.10	26.87	4.61
	11	9.8	31.86	5.18	31.86	5.29	31.5	5.40	30.6	5.16	29.38	4.92	26.87	4.46
	13	11.8	31.86	4.99	31.86	5.09	31.5	5.20	30.6	4.98	29.38	4.74	26.87	4.29
15	13.7	31.86	4.80	31.86	4.90	31.5	5.01	30.6	4.80	29.38	4.56	26.87	4.13	
90%	-14.7	-15	16.61	4.18	16.61	4.28	16.61	4.37	15.97	4.17	15.34	3.98	14.07	3.59

AUX ARV OUTDOOR UNIT – ARV 6 ALL DC INVERTER T1 50&60HZ

	-12.6	-13	16.9	4.26	16.9	4.35	16.9	4.44	16.25	4.25	15.59	4.04	14.32	3.66
	-10.5	-11	17.31	4.33	17.31	4.41	17.31	4.51	16.67	4.30	15.99	4.11	14.66	3.72
	-9.5	-10	19.04	4.36	19.04	4.45	19.04	4.54	18.3	4.35	17.59	4.14	16.09	3.75
	-8.5	-9.1	19.72	4.39	19.72	4.48	19.72	4.57	18.95	4.37	18.21	4.18	16.67	3.77
	-7	-7.6	20.03	4.44	20.03	4.54	20.03	4.63	19.27	4.42	18.48	4.22	16.93	3.82
	-5	-5.6	20.32	4.51	20.32	4.60	20.32	4.70	19.54	4.49	18.76	4.29	17.16	3.87
	-3	-3.7	22.47	4.56	22.47	4.66	22.47	4.76	21.6	4.55	20.73	4.35	18.99	3.94
	0	-0.7	24.22	4.66	24.22	4.77	24.22	4.87	23.3	4.66	22.34	4.44	20.46	4.01
	3	2.2	26.37	4.77	26.37	4.87	26.37	4.97	25.32	4.75	24.31	4.54	22.27	4.11
	5	4.1	29.17	4.83	29.17	4.93	29.17	5.04	28.01	4.81	26.89	4.60	24.62	4.16
	7	6	28.72	4.90	28.72	5.00	28.72	5.11	27.59	4.89	26.49	4.66	24.23	4.21
	9	7.9	28.72	4.73	28.72	4.83	28.72	4.93	27.59	4.72	26.49	4.51	24.23	4.07
	11	9.8	28.72	4.56	28.72	4.66	28.72	4.76	27.59	4.55	26.49	4.35	24.23	3.94
	13	11.8	28.72	4.40	28.72	4.50	28.72	4.60	27.59	4.39	26.49	4.19	24.23	3.78
	15	13.7	28.72	4.25	28.72	4.33	28.72	4.42	27.59	4.23	26.49	4.03	24.23	3.64
80%	-14.7	-15	14.83	3.66	14.83	3.75	14.83	3.82	14.27	3.65	13.68	3.49	12.57	3.16
	-12.6	-13	15.09	3.73	15.09	3.80	15.09	3.88	14.51	3.71	13.93	3.55	12.78	3.20
	-10.5	-11	15.45	3.78	15.45	3.86	15.45	3.94	14.85	3.77	14.27	3.59	13.1	3.25
	-9.5	-10	16.99	3.81	16.99	3.89	16.99	3.97	16.36	3.80	15.68	3.62	14.38	3.27
	-8.5	-9.1	17.59	3.84	17.59	3.92	17.59	4.01	16.93	3.83	16.23	3.65	14.87	3.30
	-7	-7.6	17.87	3.88	17.87	3.97	17.87	4.04	17.18	3.87	16.49	3.69	15.12	3.34
	-5	-5.6	18.12	3.94	18.12	4.03	18.12	4.11	17.41	3.93	16.74	3.75	15.32	3.39
	-3	-3.7	20.03	4.00	20.03	4.09	20.03	4.17	19.26	3.99	18.5	3.81	16.93	3.44
	0	-0.7	21.59	4.09	21.59	4.17	21.59	4.27	20.77	4.07	19.91	3.88	18.23	3.51
	3	2.2	23.47	4.17	23.47	4.27	23.47	4.35	22.57	4.16	21.66	3.97	19.85	3.59
	5	4.1	25.97	4.23	25.97	4.32	25.97	4.41	24.95	4.21	23.96	4.02	21.92	3.64
	7	6	25.58	4.29	25.58	4.38	25.58	4.47	24.58	4.28	23.61	4.08	21.59	3.69
	9	7.9	25.58	4.14	25.58	4.23	25.58	4.32	24.58	4.13	23.61	3.94	21.59	3.56
	11	9.8	25.58	4.00	25.58	4.09	25.58	4.17	24.58	3.99	23.61	3.81	21.59	3.44
	13	11.8	25.58	3.85	25.58	3.94	25.58	4.02	24.58	3.84	23.61	3.67	21.59	3.32
15	13.7	25.58	3.71	25.58	3.78	25.58	3.87	24.58	3.70	23.61	3.52	21.59	3.19	
70%	-14.7	-15	13.04	3.14	13.04	3.21	13.04	3.27	12.57	3.13	12.06	2.99	11.07	2.70
	-12.6	-13	13.28	3.19	13.28	3.25	13.28	3.33	12.78	3.18	12.27	3.04	11.27	2.74
	-10.5	-11	13.59	3.24	13.59	3.32	13.59	3.38	13.06	3.23	12.57	3.08	11.54	2.79
	-9.5	-10	14.94	3.26	14.94	3.34	14.94	3.41	14.38	3.25	13.78	3.11	12.66	2.82
	-8.5	-9.1	15.46	3.29	15.46	3.36	15.46	3.43	14.87	3.28	14.28	3.13	13.1	2.82
	-7	-7.6	15.7	3.33	15.7	3.40	15.7	3.47	15.08	3.32	14.51	3.17	13.28	2.86
	-5	-5.6	15.92	3.38	15.92	3.45	15.92	3.52	15.32	3.36	14.71	3.21	13.47	2.90
	-3	-3.7	17.6	3.42	17.6	3.50	17.6	3.58	16.93	3.42	16.23	3.25	14.87	2.95
	0	-0.7	18.95	3.50	18.95	3.58	18.95	3.65	18.23	3.49	17.48	3.33	16.01	3.00
	3	2.2	20.62	3.58	20.62	3.65	20.62	3.73	19.81	3.56	19.01	3.40	17.43	3.07
	5	4.1	22.77	3.62	22.77	3.70	22.77	3.77	21.92	3.61	21.03	3.45	19.24	3.12
	7	6	22.44	3.68	22.44	3.75	22.44	3.84	21.56	3.67	20.68	3.49	18.96	3.16
	9	7.9	22.44	3.55	22.44	3.62	22.44	3.70	21.56	3.54	20.68	3.38	18.96	3.06
	11	9.8	22.44	3.42	22.44	3.50	22.44	3.58	21.56	3.42	20.68	3.26	18.96	2.95

AUX ARV OUTDOOR UNIT – ARV 6 ALL DC INVERTER T1 50&60HZ

	13	11.8	22.44	3.30	22.44	3.38	22.44	3.44	21.56	3.30	20.68	3.15	18.96	2.84
	15	13.7	22.44	3.18	22.44	3.25	22.44	3.32	21.56	3.17	20.68	3.02	18.96	2.73
60%	-14.7	-15	11.27	2.67	11.27	2.72	11.27	2.78	10.83	2.65	10.44	2.54	9.56	2.30
	-12.6	-13	11.46	2.71	11.46	2.76	11.46	2.82	11.04	2.70	10.61	2.57	9.73	2.33
	-10.5	-11	11.73	2.75	11.73	2.82	11.73	2.87	11.27	2.74	10.86	2.62	9.94	2.37
	-9.5	-10	12.88	2.78	12.88	2.83	12.88	2.90	12.4	2.76	11.91	2.64	10.94	2.39
	-8.5	-9.1	13.33	2.81	13.33	2.85	13.33	2.91	12.81	2.79	12.3	2.65	11.31	2.40
	-7	-7.6	13.54	2.82	13.54	2.89	13.54	2.95	13.03	2.82	12.49	2.69	11.47	2.43
	-5	-5.6	13.73	2.87	13.73	2.93	13.73	2.99	13.19	2.86	12.66	2.73	11.63	2.47
	-3	-3.7	15.15	2.91	15.15	2.97	15.15	3.03	14.56	2.90	14	2.77	12.82	2.50
	0	-0.7	16.32	2.97	16.32	3.04	16.32	3.10	15.7	2.97	15.05	2.82	13.82	2.56
	3	2.2	17.73	3.04	17.73	3.10	17.73	3.17	17.06	3.02	16.39	2.89	15.01	2.62
	5	4.1	19.61	3.08	19.61	3.15	19.61	3.21	18.85	3.07	18.09	2.93	16.57	2.65
	7	6	19.3	3.12	19.3	3.19	19.3	3.25	18.55	3.11	17.8	2.97	16.32	2.68
	9	7.9	19.3	3.01	19.3	3.08	19.3	3.15	18.55	3.00	17.8	2.87	16.32	2.59
	11	9.8	19.3	2.91	19.3	2.97	19.3	3.04	18.55	2.90	17.8	2.77	16.32	2.50
	13	11.8	19.3	2.81	19.3	2.86	19.3	2.92	18.55	2.81	17.8	2.67	16.32	2.41
15	13.7	19.3	2.70	19.3	2.76	19.3	2.82	18.55	2.70	17.8	2.57	16.32	2.32	
50%	-14.7	-15	9.49	2.15	9.49	2.20	9.49	2.24	9.13	2.14	8.77	2.04	8.06	1.85
	-12.6	-13	9.64	2.19	9.64	2.24	9.64	2.29	9.3	2.18	8.91	2.08	8.22	1.88
	-10.5	-11	9.87	2.22	9.87	2.28	9.87	2.31	9.49	2.22	9.15	2.12	8.39	1.91
	-9.5	-10	10.83	2.24	10.83	2.29	10.83	2.33	10.42	2.23	10.01	2.13	9.18	1.93
	-8.5	-9.1	11.2	2.26	11.2	2.30	11.2	2.36	10.75	2.25	10.35	2.14	9.51	1.95
	-7	-7.6	11.37	2.29	11.37	2.33	11.37	2.38	10.93	2.29	10.5	2.18	9.63	1.96
	-5	-5.6	11.52	2.31	11.52	2.37	11.52	2.42	11.1	2.30	10.64	2.21	9.78	2.00
	-3	-3.7	12.72	2.35	12.72	2.40	12.72	2.45	12.22	2.34	11.73	2.24	10.76	2.02
	0	-0.7	13.68	2.40	13.68	2.45	13.68	2.50	13.17	2.39	12.62	2.29	11.6	2.06
	3	2.2	14.87	2.45	14.87	2.50	14.87	2.56	14.31	2.45	13.73	2.33	12.59	2.12
	5	4.1	16.41	2.48	16.41	2.55	16.41	2.59	15.78	2.48	15.16	2.37	13.87	2.14
	7	6	16.16	2.52	16.16	2.57	16.16	2.64	15.53	2.51	14.91	2.40	13.68	2.17
	9	7.9	16.16	2.43	16.16	2.48	16.16	2.55	15.53	2.43	14.91	2.31	13.68	2.10
	11	9.8	16.16	2.35	16.16	2.40	16.16	2.45	15.53	2.34	14.91	2.24	13.68	2.02
	13	11.8	16.16	2.27	16.16	2.31	16.16	2.37	15.53	2.26	14.91	2.16	13.68	1.95
15	13.7	16.16	2.18	16.16	2.22	16.16	2.28	15.53	2.18	14.91	2.07	13.68	1.87	

7.2.3 ARV-H330/SR1MV

Combination	Outdoor air		Indoor temperature(°C DB)											
	temp. (°C DB)		16		18		20		21		22		24	
Capacity index			TC	PI	TC	PI	TC	PI	TC	PI	TC	PI	TC	PI
			kW	kW	kW	kW	kW	kW	kW	kW	kW	kW	kW	kW
130%	-14.7	-15	24.13	6.63	24.13	6.77	24.13	6.91	23.18	6.60	22.28	6.31	20.38	5.71
	-12.6	-13	24.58	6.74	24.58	6.88	24.58	7.03	23.6	6.71	22.67	6.41	20.78	5.79
	-10.5	-11	25.17	6.84	25.17	6.99	25.17	7.14	24.22	6.83	23.22	6.52	21.26	5.89

AUX ARV OUTDOOR UNIT – ARV 6 ALL DC INVERTER T1 50&60HZ .

	-9.5	-10	27.7	6.90	27.7	7.05	27.7	7.20	26.64	6.88	25.56	6.56	23.41	5.94
	-8.5	-9.1	28.69	6.96	28.69	7.10	28.69	7.25	27.59	6.94	26.45	6.61	24.26	5.98
	-7	-7.6	29.15	7.03	29.15	7.19	29.15	7.34	28.03	7.01	26.9	6.69	24.61	6.05
	-5	-5.6	29.58	7.14	29.58	7.29	29.58	7.45	28.43	7.12	27.28	6.79	24.99	6.14
	-3	-3.7	32.72	7.24	32.72	7.40	32.72	7.55	31.43	7.21	30.18	6.89	27.64	6.22
	0	-0.7	35.29	7.40	35.29	7.56	35.29	7.71	33.9	7.37	32.54	7.03	29.8	6.36
	3	2.2	38.41	7.56	38.41	7.71	38.41	7.87	36.93	7.53	35.4	7.19	32.43	6.49
	5	4.1	42.51	7.66	42.51	7.82	42.51	7.98	40.85	7.63	39.2	7.28	35.84	6.58
	7	6	41.88	7.77	41.88	7.92	41.88	8.09	40.22	7.73	38.61	7.39	35.3	6.68
	9	7.9	41.88	7.50	41.88	7.66	41.88	7.82	40.22	7.47	38.61	7.14	35.3	6.45
	11	9.8	41.88	7.24	41.88	7.40	41.88	7.55	40.22	7.21	38.61	6.89	35.3	6.22
	13	11.8	41.88	6.97	41.88	7.13	41.88	7.28	40.22	6.96	38.61	6.64	35.3	6.00
	15	13.7	41.88	6.71	41.88	6.86	41.88	7.01	40.22	6.71	38.61	6.39	35.3	5.78
120%	-14.7	-15	24.13	6.82	24.13	6.97	24.13	7.12	23.18	6.80	22.28	6.49	20.38	5.87
	-12.6	-13	24.58	6.94	24.58	7.09	24.58	7.23	23.6	6.92	22.67	6.60	20.78	5.96
	-10.5	-11	25.17	7.06	25.17	7.20	25.17	7.34	24.22	7.03	23.22	6.71	21.26	6.07
	-9.5	-10	27.7	7.11	27.7	7.25	27.7	7.41	26.64	7.09	25.56	6.76	23.41	6.10
	-8.5	-9.1	28.69	7.16	28.69	7.31	28.69	7.46	27.59	7.14	26.45	6.81	24.26	6.15
	-7	-7.6	29.15	7.23	29.15	7.40	29.15	7.55	28.03	7.21	26.9	6.89	24.61	6.22
	-5	-5.6	29.58	7.34	29.58	7.50	29.58	7.66	28.43	7.33	27.28	6.98	24.99	6.31
	-3	-3.7	32.72	7.46	32.72	7.61	32.72	7.77	31.43	7.44	30.18	7.09	27.64	6.41
	0	-0.7	35.29	7.61	35.29	7.77	35.29	7.94	33.9	7.59	32.54	7.24	29.8	6.55
	3	2.2	38.41	7.77	38.41	7.94	38.41	8.10	36.93	7.75	35.4	7.40	32.43	6.69
	5	4.1	42.51	7.88	42.51	8.05	42.51	8.21	40.85	7.85	39.2	7.49	35.84	6.78
	7	6	41.88	7.99	41.88	8.16	41.88	8.34	40.22	7.96	38.61	7.60	35.3	6.87
	9	7.9	41.88	7.71	41.88	7.89	41.88	8.05	40.22	7.70	38.61	7.34	35.3	6.64
	11	9.8	41.88	7.46	41.88	7.61	41.88	7.77	40.22	7.44	38.61	7.09	35.3	6.41
	13	11.8	41.88	7.19	41.88	7.34	41.88	7.49	40.22	7.17	38.61	6.83	35.3	6.18
15	13.7	41.88	6.92	41.88	7.07	41.88	7.21	40.22	6.90	38.61	6.58	35.3	5.95	
110%	-14.7	-15	24.13	6.96	24.13	7.11	24.13	7.25	23.18	6.94	22.28	6.62	20.38	5.98
	-12.6	-13	24.58	7.07	24.58	7.21	24.58	7.38	23.6	7.06	22.67	6.73	20.78	6.08
	-10.5	-11	25.17	7.19	25.17	7.34	25.17	7.49	24.22	7.17	23.22	6.84	21.26	6.19
	-9.5	-10	27.7	7.24	27.7	7.40	27.7	7.56	26.64	7.21	25.56	6.89	23.41	6.22
	-8.5	-9.1	28.69	7.30	28.69	7.46	28.69	7.60	27.59	7.28	26.45	6.95	24.26	6.28
	-7	-7.6	29.15	7.38	29.15	7.54	29.15	7.70	28.03	7.35	26.9	7.02	24.61	6.34
	-5	-5.6	29.58	7.49	29.58	7.65	29.58	7.82	28.43	7.47	27.28	7.12	24.99	6.45
	-3	-3.7	32.72	7.60	32.72	7.77	32.72	7.92	31.43	7.58	30.18	7.22	27.64	6.53
	0	-0.7	35.29	7.77	35.29	7.92	35.29	8.09	33.9	7.73	32.54	7.39	29.8	6.68
	3	2.2	38.41	7.92	38.41	8.09	38.41	8.26	36.93	7.90	35.4	7.55	32.43	6.82
	5	4.1	42.51	8.04	42.51	8.21	42.51	8.38	40.85	8.00	39.2	7.65	35.84	6.91
	7	6	41.88	8.14	41.88	8.33	41.88	8.49	40.22	8.12	38.61	7.75	35.3	7.01
	9	7.9	41.88	7.87	41.88	8.04	41.88	8.21	40.22	7.84	38.61	7.49	35.3	6.77
	11	9.8	41.88	7.60	41.88	7.77	41.88	7.92	40.22	7.58	38.61	7.22	35.3	6.53
	13	11.8	41.88	7.33	41.88	7.48	41.88	7.64	40.22	7.30	38.61	6.97	35.3	6.31
15	13.7	41.88	7.06	41.88	7.20	41.88	7.35	40.22	7.03	38.61	6.71	35.3	6.07	

AUX ARV OUTDOOR UNIT – ARV 6 ALL DC INVERTER T1 50&60HZ

100%	-14.7	-15	22.01	6.20	22.01	6.33	22.01	6.46	21.15	6.17	20.3	5.90	18.64	5.33
	-12.6	-13	22.4	6.30	22.4	6.44	22.4	6.56	21.52	6.28	20.69	5.99	18.93	5.41
	-10.5	-11	22.95	6.40	22.95	6.53	22.95	6.67	22.08	6.38	21.17	6.08	19.4	5.51
	-9.5	-10	25.25	6.45	25.25	6.58	25.25	6.72	24.26	6.43	23.28	6.13	21.36	5.56
	-8.5	-9.1	26.14	6.49	26.14	6.63	26.14	6.78	25.13	6.47	24.11	6.18	22.09	5.58
	-7	-7.6	26.56	6.57	26.56	6.71	26.56	6.84	25.52	6.55	24.48	6.26	22.46	5.65
	-5	-5.6	26.95	6.67	26.95	6.81	26.95	6.96	25.88	6.65	24.87	6.34	22.79	5.74
	-3	-3.7	29.8	6.77	29.8	6.91	29.8	7.06	28.64	6.75	27.47	6.44	25.18	5.82
	0	-0.7	32.13	6.91	32.13	7.07	32.13	7.21	30.86	6.89	29.63	6.58	27.14	5.95
	3	2.2	35	7.07	35	7.21	35	7.35	33.63	7.03	32.27	6.71	29.53	6.07
	5	4.1	38.69	7.15	38.69	7.30	37.5	7.46	37.18	7.13	35.69	6.80	32.65	6.15
	7	6	38.12	7.25	38.12	7.41	37.5	7.65	36.62	7.22	35.15	6.90	32.15	6.24
	9	7.9	38.12	7.01	38.12	7.16	37.5	7.30	36.62	6.98	35.15	6.67	32.15	6.03
	11	9.8	38.12	6.77	38.12	6.91	37.5	7.06	36.62	6.75	35.15	6.44	32.15	5.82
	13	11.8	38.12	6.52	38.12	6.66	37.5	6.80	36.62	6.50	35.15	6.20	32.15	5.60
	15	13.7	38.12	6.28	38.12	6.41	37.5	6.55	36.62	6.27	35.15	5.97	32.15	5.40
90%	-14.7	-15	19.87	5.46	19.87	5.58	19.87	5.71	19.11	5.45	18.35	5.20	16.84	4.70
	-12.6	-13	20.23	5.57	20.23	5.68	20.23	5.80	19.44	5.56	18.65	5.29	17.13	4.79
	-10.5	-11	20.72	5.66	20.72	5.77	20.72	5.89	19.94	5.63	19.12	5.37	17.54	4.86
	-9.5	-10	22.79	5.70	22.79	5.82	22.79	5.94	21.89	5.68	21.04	5.41	19.25	4.90
	-8.5	-9.1	23.59	5.74	23.59	5.86	23.59	5.98	22.67	5.71	21.79	5.46	19.95	4.93
	-7	-7.6	23.97	5.80	23.97	5.93	23.97	6.05	23.06	5.78	22.12	5.52	20.25	4.99
	-5	-5.6	24.32	5.89	24.32	6.01	24.32	6.14	23.38	5.87	22.45	5.60	20.54	5.07
	-3	-3.7	26.89	5.97	26.89	6.09	26.89	6.22	25.84	5.96	24.8	5.69	22.71	5.14
	0	-0.7	28.98	6.09	28.98	6.23	28.98	6.36	27.88	6.08	26.73	5.81	24.47	5.24
	3	2.2	31.54	6.23	31.54	6.36	31.54	6.49	30.3	6.21	29.09	5.93	26.64	5.36
	5	4.1	34.9	6.32	34.9	6.45	34.9	6.58	33.52	6.30	32.18	6.01	29.46	5.44
	7	6	34.37	6.41	34.37	6.54	34.37	6.68	33.02	6.39	31.7	6.08	29	5.51
	9	7.9	34.37	6.20	34.37	6.32	34.37	6.45	33.02	6.17	31.7	5.89	29	5.33
	11	9.8	34.37	5.97	34.37	6.09	34.37	6.22	33.02	5.96	31.7	5.69	29	5.14
	13	11.8	34.37	5.76	34.37	5.88	34.37	6.01	33.02	5.74	31.7	5.47	29	4.95
	15	13.7	34.37	5.56	34.37	5.66	34.37	5.78	33.02	5.53	31.7	5.28	29	4.76
80%	-14.7	-15	17.74	4.79	17.74	4.89	17.74	4.99	17.08	4.77	16.37	4.56	15.04	4.12
	-12.6	-13	18.06	4.87	18.06	4.96	18.06	5.08	17.36	4.85	16.67	4.64	15.28	4.19
	-10.5	-11	18.49	4.95	18.49	5.05	18.49	5.16	17.76	4.93	17.08	4.70	15.67	4.25
	-9.5	-10	20.33	4.98	20.33	5.08	20.33	5.20	19.57	4.96	18.77	4.74	17.2	4.28
	-8.5	-9.1	21.04	5.02	21.04	5.12	21.04	5.23	20.25	5.00	19.42	4.77	17.8	4.32
	-7	-7.6	21.37	5.08	21.37	5.19	21.37	5.29	20.55	5.07	19.74	4.83	18.09	4.37
	-5	-5.6	21.68	5.15	21.68	5.26	21.68	5.36	20.83	5.13	20.03	4.90	18.33	4.43
	-3	-3.7	23.97	5.22	23.97	5.34	23.97	5.45	23.05	5.21	22.13	4.97	20.26	4.50
	0	-0.7	25.83	5.34	25.83	5.45	25.83	5.58	24.85	5.33	23.82	5.08	21.82	4.58
	3	2.2	28.09	5.45	28.09	5.58	28.09	5.69	27	5.44	25.92	5.19	23.74	4.69
	5	4.1	31.08	5.53	31.08	5.65	31.08	5.77	29.85	5.51	28.67	5.25	26.22	4.75
	7	6	30.61	5.60	30.61	5.72	30.61	5.84	29.4	5.58	28.24	5.33	25.84	4.83
9	7.9	30.61	5.41	30.61	5.53	30.61	5.65	29.4	5.40	28.24	5.15	25.84	4.66	

AUX ARV OUTDOOR UNIT – ARV 6 ALL DC INVERTER T1 50&60HZ

	11	9.8	30.61	5.22	30.61	5.34	30.61	5.45	29.4	5.21	28.24	4.97	25.84	4.50
	13	11.8	30.61	5.04	30.61	5.14	30.61	5.25	29.4	5.02	28.24	4.80	25.84	4.33
	15	13.7	30.61	4.85	30.61	4.95	30.61	5.06	29.4	4.84	28.24	4.61	25.84	4.18
70%	-14.7	-15	15.61	4.10	15.61	4.19	15.61	4.28	15.04	4.09	14.43	3.90	13.25	3.52
	-12.6	-13	15.88	4.18	15.88	4.25	15.88	4.35	15.28	4.16	14.68	3.97	13.49	3.58
	-10.5	-11	16.26	4.23	16.26	4.33	16.26	4.42	15.63	4.22	15.03	4.04	13.81	3.65
	-9.5	-10	17.87	4.27	17.87	4.37	17.87	4.45	17.2	4.25	16.48	4.07	15.15	3.68
	-8.5	-9.1	18.49	4.30	18.49	4.39	18.49	4.48	17.8	4.29	17.09	4.09	15.68	3.70
	-7	-7.6	18.78	4.36	18.78	4.45	18.78	4.54	18.05	4.33	17.36	4.15	15.88	3.74
	-5	-5.6	19.05	4.42	19.05	4.51	19.05	4.60	18.33	4.40	17.61	4.20	16.12	3.80
	-3	-3.7	21.05	4.47	21.05	4.58	21.05	4.67	20.26	4.46	19.42	4.25	17.8	3.85
	0	-0.7	22.68	4.58	22.68	4.67	22.68	4.77	21.82	4.56	20.91	4.36	19.15	3.93
	3	2.2	24.67	4.67	24.67	4.77	24.67	4.88	23.71	4.66	22.74	4.45	20.85	4.02
	5	4.1	27.24	4.74	27.24	4.84	27.24	4.94	26.22	4.72	25.15	4.51	23.03	4.08
	7	6	26.85	4.81	26.85	4.90	26.85	5.01	25.8	4.80	24.75	4.57	22.68	4.13
	9	7.9	26.85	4.64	26.85	4.74	26.85	4.84	25.8	4.63	24.75	4.42	22.68	3.99
	11	9.8	26.85	4.47	26.85	4.58	26.85	4.67	25.8	4.46	24.75	4.26	22.68	3.85
	13	11.8	26.85	4.32	26.85	4.42	26.85	4.50	25.8	4.31	24.75	4.11	22.68	3.71
15	13.7	26.85	4.16	26.85	4.24	26.85	4.33	25.8	4.15	24.75	3.95	22.68	3.57	
60%	-14.7	-15	13.48	3.49	13.48	3.55	13.48	3.63	12.96	3.47	12.48	3.32	11.44	3.00
	-12.6	-13	13.71	3.54	13.71	3.61	13.71	3.70	13.2	3.53	12.7	3.36	11.64	3.05
	-10.5	-11	14.03	3.60	14.03	3.68	14.03	3.75	13.49	3.58	12.99	3.43	11.9	3.09
	-9.5	-10	15.42	3.63	15.42	3.70	15.42	3.78	14.83	3.61	14.26	3.45	13.09	3.12
	-8.5	-9.1	15.94	3.67	15.94	3.73	15.94	3.81	15.33	3.65	14.72	3.47	13.53	3.15
	-7	-7.6	16.19	3.70	16.19	3.77	16.19	3.85	15.58	3.70	14.94	3.52	13.73	3.18
	-5	-5.6	16.42	3.75	16.42	3.83	16.42	3.91	15.78	3.74	15.14	3.57	13.92	3.23
	-3	-3.7	18.13	3.81	18.13	3.88	18.13	3.95	17.42	3.80	16.76	3.62	15.33	3.27
	0	-0.7	19.52	3.88	19.52	3.97	19.52	4.05	18.79	3.88	18.01	3.70	16.53	3.34
	3	2.2	21.22	3.97	21.22	4.05	21.22	4.15	20.41	3.95	19.6	3.77	17.96	3.42
	5	4.1	23.46	4.03	23.46	4.11	23.46	4.20	22.56	4.01	21.64	3.83	19.83	3.46
	7	6	23.1	4.08	23.1	4.17	23.1	4.25	22.19	4.07	21.29	3.88	19.53	3.51
	9	7.9	23.1	3.94	23.1	4.03	23.1	4.11	22.19	3.93	21.29	3.75	19.53	3.39
	11	9.8	23.1	3.81	23.1	3.88	23.1	3.97	22.19	3.80	21.29	3.62	19.53	3.27
	13	11.8	23.1	3.67	23.1	3.74	23.1	3.82	22.19	3.67	21.29	3.49	19.53	3.15
15	13.7	23.1	3.53	23.1	3.61	23.1	3.69	22.19	3.52	21.29	3.36	19.53	3.04	
50%	-14.7	-15	11.35	2.81	11.35	2.87	11.35	2.94	10.92	2.81	10.5	2.68	9.64	2.42
	-12.6	-13	11.54	2.85	11.54	2.93	11.54	2.99	11.13	2.85	10.66	2.72	9.84	2.46
	-10.5	-11	11.81	2.91	11.81	2.97	11.81	3.03	11.35	2.91	10.95	2.77	10.04	2.49
	-9.5	-10	12.95	2.94	12.95	2.99	12.95	3.05	12.46	2.92	11.97	2.79	10.99	2.52
	-8.5	-9.1	13.39	2.95	13.39	3.01	13.39	3.07	12.87	2.95	12.38	2.81	11.37	2.55
	-7	-7.6	13.6	2.99	13.6	3.05	13.6	3.11	13.08	2.98	12.56	2.84	11.53	2.57
	-5	-5.6	13.79	3.03	13.79	3.09	13.79	3.16	13.27	3.02	12.73	2.88	11.71	2.61
	-3	-3.7	15.21	3.07	15.21	3.14	15.21	3.20	14.63	3.06	14.04	2.93	12.87	2.64
	0	-0.7	16.37	3.14	16.37	3.20	16.37	3.27	15.76	3.13	15.1	2.99	13.87	2.70
	3	2.2	17.8	3.20	17.8	3.27	17.8	3.34	17.12	3.20	16.43	3.05	15.07	2.76

AUX ARV OUTDOOR UNIT – ARV 6 ALL DC INVERTER T1 50&60HZ

5	4.1	19.63	3.25	19.63	3.32	19.63	3.39	18.89	3.25	18.14	3.09	16.6	2.80
7	6	19.34	3.30	19.34	3.36	19.34	3.45	18.59	3.28	17.83	3.14	16.37	2.83
9	7.9	19.34	3.18	19.34	3.25	19.34	3.32	18.59	3.18	17.83	3.03	16.37	2.74
11	9.8	19.34	3.07	19.34	3.14	19.34	3.20	18.59	3.06	17.83	2.93	16.37	2.64
13	11.8	19.34	2.96	19.34	3.03	19.34	3.09	18.59	2.95	17.83	2.82	16.37	2.55
15	13.7	19.34	2.85	19.34	2.91	19.34	2.97	18.59	2.84	17.83	2.71	16.37	2.45

7.2.4 ARV-H400/SR1MV

Combination	Outdoor air		Indoor temperature(°C DB)											
	temp. (°C DB)		16		18		20		21		22		24	
Capacity index			TC	PI	TC	PI	TC	PI	TC	PI	TC	PI	TC	PI
			kW	kW	kW	kW	kW	kW	kW	kW	kW	kW	kW	kW
130%	-14.7	-15	28.81	8.02	28.81	8.19	28.81	8.36	27.67	7.99	26.6	7.62	24.34	6.90
	-12.6	-13	29.35	8.15	29.35	8.32	29.35	8.50	28.18	8.12	27.07	7.75	24.81	7.00
	-10.5	-11	30.06	8.28	30.06	8.46	30.06	8.64	28.92	8.26	27.72	7.88	25.39	7.13
	-9.5	-10	33.08	8.35	33.08	8.52	33.08	8.71	31.8	8.32	30.52	7.94	27.95	7.18
	-8.5	-9.1	34.26	8.41	34.26	8.59	34.26	8.77	32.94	8.38	31.58	8.00	28.96	7.24
	-7	-7.6	34.8	8.50	34.8	8.69	34.8	8.87	33.46	8.48	32.12	8.08	29.39	7.31
	-5	-5.6	35.32	8.63	35.32	8.82	35.32	9.00	33.94	8.61	32.58	8.21	29.84	7.42
	-3	-3.7	39.07	8.76	39.07	8.95	39.07	9.13	37.53	8.73	36.03	8.33	33	7.52
	0	-0.7	42.13	8.95	42.13	9.14	42.13	9.32	40.47	8.92	38.86	8.50	35.58	7.69
	3	2.2	45.87	9.14	45.87	9.32	45.87	9.52	44.1	9.10	42.27	8.69	38.72	7.85
	5	4.1	50.76	9.26	50.76	9.46	50.76	9.66	48.78	9.23	46.8	8.81	42.8	7.96
	7	6	50	9.40	50	9.58	50	9.79	48.03	9.36	46.1	8.93	42.15	8.08
	9	7.9	50	9.07	50	9.26	50	9.46	48.03	9.04	46.1	8.63	42.15	7.80
	11	9.8	50	8.76	50	8.95	50	9.13	48.03	8.73	46.1	8.33	42.15	7.52
	13	11.8	50	8.44	50	8.62	50	8.81	48.03	8.41	46.1	8.03	42.15	7.26
15	13.7	50	8.12	50	8.30	50	8.48	48.03	8.11	46.1	7.73	42.15	6.98	
120%	-14.7	-15	28.81	8.25	28.81	8.43	28.81	8.61	27.67	8.22	26.6	7.85	24.34	7.11
	-12.6	-13	29.35	8.38	29.35	8.58	29.35	8.76	28.18	8.37	27.07	7.99	24.81	7.22
	-10.5	-11	30.06	8.54	30.06	8.71	30.06	8.88	28.92	8.50	27.72	8.11	25.39	7.34
	-9.5	-10	33.08	8.60	33.08	8.77	33.08	8.96	31.8	8.57	30.52	8.17	27.95	7.39
	-8.5	-9.1	34.26	8.66	34.26	8.84	34.26	9.03	32.94	8.63	31.58	8.24	28.96	7.44
	-7	-7.6	34.8	8.76	34.8	8.95	34.8	9.13	33.46	8.73	32.12	8.33	29.39	7.52
	-5	-5.6	35.32	8.88	35.32	9.07	35.32	9.26	33.94	8.86	32.58	8.44	29.84	7.63
	-3	-3.7	39.07	9.03	39.07	9.21	39.07	9.40	37.53	8.99	36.03	8.58	33	7.75
	0	-0.7	42.13	9.21	42.13	9.40	42.13	9.61	40.47	9.18	38.86	8.76	35.58	7.92
	3	2.2	45.87	9.40	45.87	9.61	45.87	9.80	44.1	9.37	42.27	8.95	38.72	8.08
	5	4.1	50.76	9.52	50.76	9.74	50.76	9.94	48.78	9.50	46.8	9.06	42.8	8.21
	7	6	50	9.67	50	9.87	50	10.07	48.03	9.63	46.1	9.20	42.15	8.32
	9	7.9	50	9.34	50	9.54	50	9.74	48.03	9.31	46.1	8.88	42.15	8.03
	11	9.8	50	9.03	50	9.21	50	9.40	48.03	8.99	46.1	8.58	42.15	7.75

AUX ARV OUTDOOR UNIT – ARV 6 ALL DC INVERTER T1 50&60HZ

	13	11.8	50	8.69	50	8.87	50	9.06	48.03	8.66	46.1	8.27	42.15	7.47
	15	13.7	50	8.37	50	8.55	50	8.72	48.03	8.34	46.1	7.95	42.15	7.19
110%	-14.7	-15	28.81	8.41	28.81	8.60	28.81	8.77	27.67	8.38	26.6	8.01	24.34	7.24
	-12.6	-13	29.35	8.55	29.35	8.73	29.35	8.93	28.18	8.54	27.07	8.14	24.81	7.36
	-10.5	-11	30.06	8.70	30.06	8.87	30.06	9.06	28.92	8.66	27.72	8.28	25.39	7.48
	-9.5	-10	33.08	8.76	33.08	8.95	33.08	9.14	31.8	8.73	30.52	8.33	27.95	7.52
	-8.5	-9.1	34.26	8.82	34.26	9.03	34.26	9.20	32.94	8.81	31.58	8.39	28.96	7.59
	-7	-7.6	34.8	8.93	34.8	9.12	34.8	9.31	33.46	8.90	32.12	8.49	29.39	7.68
	-5	-5.6	35.32	9.06	35.32	9.25	35.32	9.45	33.94	9.04	32.58	8.61	29.84	7.79
	-3	-3.7	39.07	9.20	39.07	9.40	39.07	9.58	37.53	9.17	36.03	8.74	33	7.90
	0	-0.7	42.13	9.40	42.13	9.58	42.13	9.79	40.47	9.36	38.86	8.93	35.58	8.08
	3	2.2	45.87	9.58	45.87	9.80	45.87	10.00	44.1	9.56	42.27	9.13	38.72	8.25
	5	4.1	50.76	9.72	50.76	9.93	50.76	10.14	48.78	9.69	46.8	9.25	42.8	8.36
	7	6	50	9.85	50	10.07	50	10.27	48.03	9.82	46.1	9.37	42.15	8.48
	9	7.9	50	9.52	50	9.72	50	9.93	48.03	9.49	46.1	9.06	42.15	8.19
	11	9.8	50	9.20	50	9.40	50	9.58	48.03	9.17	46.1	8.74	42.15	7.90
	13	11.8	50	8.86	50	9.05	50	9.24	48.03	8.83	46.1	8.43	42.15	7.62
15	13.7	50	8.54	50	8.71	50	8.90	48.03	8.50	46.1	8.12	42.15	7.34	
100%	-14.7	-15	26.28	7.50	26.28	7.66	26.28	7.81	25.25	7.46	24.23	7.14	22.26	6.45
	-12.6	-13	26.75	7.62	26.75	7.79	26.75	7.94	25.7	7.59	24.7	7.24	22.61	6.54
	-10.5	-11	27.4	7.73	27.4	7.90	27.4	8.06	26.37	7.72	25.28	7.36	23.16	6.66
	-9.5	-10	30.15	7.80	30.15	7.96	30.15	8.13	28.97	7.78	27.8	7.41	25.5	6.71
	-8.5	-9.1	31.21	7.85	31.21	8.02	31.21	8.20	30.01	7.83	28.79	7.47	26.38	6.76
	-7	-7.6	31.71	7.95	31.71	8.12	31.71	8.28	30.47	7.92	29.24	7.57	26.82	6.83
	-5	-5.6	32.18	8.06	32.18	8.24	32.18	8.41	30.91	8.04	29.69	7.68	27.21	6.94
	-3	-3.7	35.58	8.19	35.58	8.36	35.58	8.54	34.19	8.17	32.8	7.79	30.06	7.04
	0	-0.7	38.37	8.36	38.37	8.55	38.37	8.71	36.85	8.33	35.38	7.95	32.4	7.19
	3	2.2	41.79	8.55	41.79	8.71	41.79	8.90	40.16	8.50	38.53	8.12	35.27	7.34
	5	4.1	46.19	8.65	46.19	8.83	46.19	9.03	44.4	8.62	42.61	8.22	38.99	7.44
	7	6	45.52	8.77	45.52	8.96	45	9.28	43.72	8.74	41.97	8.35	38.39	7.55
	9	7.9	45.52	8.48	45.52	8.66	45	8.83	43.72	8.44	41.97	8.06	38.39	7.29
	11	9.8	45.52	8.19	45.52	8.36	45	8.54	43.72	8.17	41.97	7.79	38.39	7.04
	13	11.8	45.52	7.90	45.52	8.06	45	8.22	43.72	7.86	41.97	7.50	38.39	6.78
15	13.7	45.52	7.59	45.52	7.75	45	7.92	43.72	7.58	41.97	7.22	38.39	6.53	
90%	-14.7	-15	23.73	6.60	23.73	6.76	23.73	6.91	22.82	6.59	21.91	6.29	20.1	5.69
	-12.6	-13	24.15	6.73	24.15	6.87	24.15	7.02	23.21	6.71	22.27	6.40	20.46	5.79
	-10.5	-11	24.73	6.84	24.73	6.97	24.73	7.13	23.81	6.81	22.84	6.50	20.94	5.89
	-9.5	-10	27.21	6.89	27.21	7.03	27.21	7.18	26.14	6.87	25.13	6.54	22.99	5.93
	-8.5	-9.1	28.17	6.94	28.17	7.09	28.17	7.24	27.07	6.92	26.02	6.60	23.82	5.96
	-7	-7.6	28.62	7.02	28.62	7.17	28.62	7.31	27.53	6.99	26.41	6.68	24.18	6.04
	-5	-5.6	29.03	7.13	29.03	7.27	29.03	7.42	27.92	7.11	26.8	6.78	24.52	6.13
	-3	-3.7	32.1	7.22	32.1	7.37	32.1	7.52	30.86	7.20	29.61	6.87	27.12	6.22
	0	-0.7	34.6	7.37	34.6	7.53	34.6	7.69	33.29	7.36	31.92	7.02	29.22	6.34
	3	2.2	37.67	7.53	37.67	7.70	37.67	7.85	36.18	7.52	34.73	7.17	31.81	6.49
5	4.1	41.67	7.64	41.67	7.80	41.67	7.96	40.02	7.62	38.42	7.27	35.17	6.58	

AUX ARV OUTDOOR UNIT – ARV 6 ALL DC INVERTER T1 50&60HZ

	7	6	41.03	7.75	41.03	7.91	41.03	8.08	39.42	7.73	37.85	7.36	34.62	6.66
	9	7.9	41.03	7.49	41.03	7.64	41.03	7.80	39.42	7.46	37.85	7.13	34.62	6.43
	11	9.8	41.03	7.22	41.03	7.37	41.03	7.52	39.42	7.20	37.85	6.87	34.62	6.22
	13	11.8	41.03	6.97	41.03	7.12	41.03	7.27	39.42	6.94	37.85	6.62	34.62	5.99
	15	13.7	41.03	6.71	41.03	6.85	41.03	6.99	39.42	6.69	37.85	6.38	34.62	5.76
80%	-14.7	-15	21.18	5.79	21.18	5.92	21.18	6.04	20.39	5.78	19.54	5.51	17.96	4.99
	-12.6	-13	21.56	5.89	21.56	6.01	21.56	6.14	20.73	5.87	19.9	5.61	18.25	5.06
	-10.5	-11	22.07	5.98	22.07	6.11	22.07	6.24	21.21	5.96	20.39	5.69	18.71	5.14
	-9.5	-10	24.27	6.02	24.27	6.15	24.27	6.28	23.37	6.01	22.41	5.73	20.54	5.18
	-8.5	-9.1	25.13	6.07	25.13	6.20	25.13	6.33	24.18	6.05	23.19	5.78	21.25	5.23
	-7	-7.6	25.52	6.14	25.52	6.27	25.52	6.40	24.54	6.13	23.56	5.84	21.6	5.29
	-5	-5.6	25.89	6.23	25.89	6.37	25.89	6.49	24.87	6.21	23.92	5.93	21.89	5.36
	-3	-3.7	28.62	6.32	28.62	6.46	28.62	6.59	27.52	6.31	26.43	6.02	24.19	5.45
	0	-0.7	30.84	6.46	30.84	6.59	30.84	6.75	29.67	6.43	28.44	6.14	26.05	5.55
	3	2.2	33.53	6.59	33.53	6.75	33.53	6.87	32.24	6.58	30.95	6.27	28.35	5.67
	5	4.1	37.11	6.69	37.11	6.83	37.11	6.97	35.64	6.67	34.23	6.36	31.31	5.75
	7	6	36.55	6.78	36.55	6.92	36.55	7.07	35.11	6.76	33.72	6.45	30.85	5.83
	9	7.9	36.55	6.54	36.55	6.69	36.55	6.83	35.11	6.53	33.72	6.23	30.85	5.63
	11	9.8	36.55	6.32	36.55	6.46	36.55	6.59	35.11	6.31	33.72	6.02	30.85	5.45
	13	11.8	36.55	6.09	36.55	6.22	36.55	6.36	35.11	6.07	33.72	5.80	30.85	5.24
15	13.7	36.55	5.87	36.55	5.99	36.55	6.12	35.11	5.85	33.72	5.57	30.85	5.05	
70%	-14.7	-15	18.63	4.96	18.63	5.07	18.63	5.18	17.96	4.95	17.23	4.72	15.82	4.26
	-12.6	-13	18.97	5.05	18.97	5.14	18.97	5.26	18.25	5.03	17.53	4.80	16.1	4.33
	-10.5	-11	19.41	5.12	19.41	5.24	19.41	5.34	18.66	5.11	17.95	4.88	16.49	4.41
	-9.5	-10	21.34	5.16	21.34	5.29	21.34	5.39	20.54	5.14	19.68	4.92	18.09	4.45
	-8.5	-9.1	22.08	5.20	22.08	5.31	22.08	5.43	21.25	5.18	20.4	4.95	18.72	4.47
	-7	-7.6	22.43	5.27	22.43	5.38	22.43	5.49	21.55	5.24	20.73	5.02	18.97	4.53
	-5	-5.6	22.74	5.34	22.74	5.45	22.74	5.57	21.89	5.32	21.02	5.08	19.25	4.59
	-3	-3.7	25.14	5.41	25.14	5.53	25.14	5.65	24.19	5.40	23.19	5.14	21.25	4.66
	0	-0.7	27.08	5.53	27.08	5.65	27.08	5.78	26.05	5.51	24.97	5.27	22.87	4.75
	3	2.2	29.46	5.65	29.46	5.78	29.46	5.90	28.31	5.63	27.15	5.38	24.9	4.86
	5	4.1	32.53	5.73	32.53	5.85	32.53	5.97	31.31	5.72	30.04	5.45	27.49	4.92
	7	6	32.06	5.81	32.06	5.93	32.06	6.06	30.8	5.80	29.55	5.52	27.08	4.99
	9	7.9	32.06	5.62	32.06	5.73	32.06	5.85	30.8	5.60	29.55	5.34	27.08	4.83
	11	9.8	32.06	5.41	32.06	5.53	32.06	5.65	30.8	5.40	29.55	5.16	27.08	4.66
	13	11.8	32.06	5.23	32.06	5.34	32.06	5.45	30.8	5.21	29.55	4.97	27.08	4.48
15	13.7	32.06	5.03	32.06	5.13	32.06	5.24	30.8	5.02	29.55	4.79	27.08	4.32	
60%	-14.7	-15	16.1	4.22	16.1	4.30	16.1	4.39	15.47	4.20	14.91	4.01	13.66	3.62
	-12.6	-13	16.37	4.28	16.37	4.37	16.37	4.47	15.77	4.26	15.16	4.07	13.9	3.68
	-10.5	-11	16.75	4.36	16.75	4.45	16.75	4.53	16.1	4.33	15.51	4.14	14.2	3.74
	-9.5	-10	18.41	4.39	18.41	4.48	18.41	4.58	17.71	4.37	17.02	4.17	15.63	3.77
	-8.5	-9.1	19.04	4.43	19.04	4.52	19.04	4.61	18.3	4.41	17.57	4.20	16.16	3.81
	-7	-7.6	19.34	4.47	19.34	4.56	19.34	4.66	18.61	4.47	17.84	4.26	16.39	3.84
	-5	-5.6	19.61	4.53	19.61	4.63	19.61	4.72	18.84	4.53	18.08	4.31	16.62	3.90
	-3	-3.7	21.65	4.60	21.65	4.69	21.65	4.79	20.8	4.59	20.01	4.38	18.31	3.96

AUX ARV OUTDOOR UNIT – ARV 6 ALL DC INVERTER T1 50&60HZ

	0	-0.7	23.31	4.69	23.31	4.80	23.31	4.90	22.43	4.69	21.5	4.47	19.74	4.04
	3	2.2	25.33	4.80	25.33	4.90	25.33	5.02	24.37	4.79	23.41	4.56	21.44	4.14
	5	4.1	28.01	4.87	28.01	4.97	28.01	5.08	26.93	4.85	25.84	4.63	23.67	4.19
	7	6	27.58	4.92	27.58	5.04	27.58	5.14	26.5	4.92	25.42	4.69	23.32	4.25
	9	7.9	27.58	4.76	27.58	4.87	27.58	4.97	26.5	4.75	25.42	4.53	23.32	4.10
	11	9.8	27.58	4.60	27.58	4.69	27.58	4.80	26.5	4.59	25.42	4.38	23.32	3.96
	13	11.8	27.58	4.44	27.58	4.53	27.58	4.62	26.5	4.43	25.42	4.22	23.32	3.81
	15	13.7	27.58	4.26	27.58	4.37	27.58	4.46	26.5	4.26	25.42	4.07	23.32	3.67
50%	-14.7	-15	13.55	3.40	13.55	3.48	13.55	3.55	13.04	3.39	12.53	3.23	11.51	2.93
	-12.6	-13	13.78	3.45	13.78	3.55	13.78	3.61	13.29	3.45	12.73	3.29	11.75	2.98
	-10.5	-11	14.1	3.51	14.1	3.60	14.1	3.66	13.55	3.51	13.07	3.34	11.99	3.01
	-9.5	-10	15.47	3.55	15.47	3.61	15.47	3.69	14.88	3.53	14.3	3.37	13.12	3.04
	-8.5	-9.1	15.99	3.57	15.99	3.64	15.99	3.72	15.36	3.55	14.78	3.39	13.58	3.07
	-7	-7.6	16.24	3.61	16.24	3.68	16.24	3.77	15.62	3.61	15	3.44	13.76	3.10
	-5	-5.6	16.46	3.66	16.46	3.74	16.46	3.83	15.85	3.65	15.2	3.49	13.98	3.16
	-3	-3.7	18.17	3.72	18.17	3.79	18.17	3.87	17.46	3.70	16.76	3.55	15.37	3.20
	0	-0.7	19.54	3.79	19.54	3.88	19.54	3.96	18.82	3.78	18.03	3.61	16.57	3.26
	3	2.2	21.25	3.88	21.25	3.96	21.25	4.04	20.44	3.87	19.62	3.68	17.99	3.34
	5	4.1	23.44	3.93	23.44	4.02	23.44	4.10	22.55	3.93	21.66	3.74	19.82	3.39
	7	6	23.09	3.99	23.09	4.07	23.09	4.16	22.19	3.97	21.29	3.79	19.54	3.43
	9	7.9	23.09	3.84	23.09	3.93	23.09	4.02	22.19	3.84	21.29	3.66	19.54	3.32
	11	9.8	23.09	3.72	23.09	3.79	23.09	3.87	22.19	3.70	21.29	3.55	19.54	3.20
	13	11.8	23.09	3.59	23.09	3.66	23.09	3.74	22.19	3.57	21.29	3.41	19.54	3.08
	15	13.7	23.09	3.45	23.09	3.52	23.09	3.60	22.19	3.44	21.29	3.28	19.54	2.96

7.2.5 ARV-H450/SR1MV

Combination	Outdoor air		Indoor temperature(°C DB)											
	Capacity index	temp. (°C DB)	16		18		20		21		22		24	
TC			PI	TC	PI	TC	PI	TC	PI	TC	PI	TC	PI	
			kW	kW	kW	kW	kW	kW	kW	kW	kW	kW	kW	
130%	-14.7	-15	32.41	9.44	32.41	9.64	32.41	9.84	31.13	9.41	29.93	8.98	27.38	8.12
	-12.6	-13	33.01	9.60	33.01	9.80	33.01	10.01	31.7	9.56	30.45	9.13	27.91	8.25
	-10.5	-11	33.81	9.75	33.81	9.96	33.81	10.17	32.53	9.72	31.19	9.28	28.56	8.40
	-9.5	-10	37.21	9.83	37.21	10.04	37.21	10.25	35.78	9.80	34.34	9.34	31.45	8.45
	-8.5	-9.1	38.54	9.91	38.54	10.11	38.54	10.33	37.06	9.87	35.53	9.42	32.58	8.52
	-7	-7.6	39.15	10.01	39.15	10.23	39.15	10.45	37.65	9.99	36.14	9.52	33.06	8.62
	-5	-5.6	39.73	10.16	39.73	10.38	39.73	10.60	38.19	10.14	36.65	9.67	33.57	8.74
	-3	-3.7	43.95	10.31	43.95	10.53	43.95	10.75	42.22	10.28	40.54	9.81	37.13	8.86
	0	-0.7	47.4	10.53	47.4	10.76	47.4	10.98	45.53	10.50	43.71	10.01	40.03	9.06
	3	2.2	51.6	10.76	51.6	10.98	51.6	11.21	49.61	10.72	47.55	10.23	43.56	9.24
	5	4.1	57.1	10.91	57.1	11.14	57.1	11.37	54.88	10.86	52.65	10.38	48.15	9.38
	7	6	56.25	11.06	56.25	11.29	56.25	11.52	54.03	11.01	51.86	10.52	47.42	9.51
9	7.9	56.25	10.68	56.25	10.91	56.25	11.14	54.03	10.65	51.86	10.16	47.42	9.18	

AUX ARV OUTDOOR UNIT – ARV 6 ALL DC INVERTER T1 50&60HZ

	11	9.8	56.25	10.31	56.25	10.53	56.25	10.75	54.03	10.28	51.86	9.81	47.42	8.86
	13	11.8	56.25	9.93	56.25	10.15	56.25	10.38	54.03	9.91	51.86	9.46	47.42	8.55
	15	13.7	56.25	9.56	56.25	9.77	56.25	9.99	54.03	9.54	51.86	9.10	47.42	8.23
120%	-14.7	-15	32.41	9.71	32.41	9.92	32.41	10.14	31.13	9.69	29.93	9.24	27.38	8.37
	-12.6	-13	33.01	9.87	33.01	10.10	33.01	10.30	31.7	9.85	30.45	9.40	27.91	8.49
	-10.5	-11	33.81	10.05	33.81	10.25	33.81	10.46	32.53	10.01	31.19	9.55	28.56	8.64
	-9.5	-10	37.21	10.13	37.21	10.33	37.21	10.55	35.78	10.09	34.34	9.63	31.45	8.70
	-8.5	-9.1	38.54	10.20	38.54	10.41	38.54	10.63	37.06	10.16	35.53	9.70	32.58	8.76
	-7	-7.6	39.15	10.30	39.15	10.53	39.15	10.75	37.65	10.28	36.14	9.81	33.06	8.86
	-5	-5.6	39.73	10.46	39.73	10.68	39.73	10.91	38.19	10.43	36.65	9.94	33.57	8.99
	-3	-3.7	43.95	10.62	43.95	10.84	43.95	11.07	42.22	10.59	40.54	10.10	37.13	9.13
	0	-0.7	47.4	10.84	47.4	11.07	47.4	11.31	45.53	10.81	43.71	10.31	40.03	9.32
	3	2.2	51.6	11.07	51.6	11.31	51.6	11.54	49.61	11.04	47.55	10.53	43.56	9.52
	5	4.1	57.1	11.22	57.1	11.46	57.1	11.70	54.88	11.19	52.65	10.67	48.15	9.66
	7	6	56.25	11.38	56.25	11.62	56.25	11.87	54.03	11.35	51.86	10.83	47.42	9.79
	9	7.9	56.25	10.99	56.25	11.23	56.25	11.46	54.03	10.96	51.86	10.46	47.42	9.46
	11	9.8	56.25	10.62	56.25	10.84	56.25	11.07	54.03	10.59	51.86	10.10	47.42	9.13
	13	11.8	56.25	10.23	56.25	10.45	56.25	10.67	54.03	10.21	51.86	9.73	47.42	8.79
	15	13.7	56.25	9.85	56.25	10.07	56.25	10.28	54.03	9.82	51.86	9.37	47.42	8.48
	110%	-14.7	-15	32.41	9.91	32.41	10.13	32.41	10.33	31.13	9.87	29.93	9.44	27.38
-12.6		-13	33.01	10.07	33.01	10.28	33.01	10.52	31.7	10.05	30.45	9.58	27.91	8.67
-10.5		-11	33.81	10.23	33.81	10.45	33.81	10.67	32.53	10.21	31.19	9.75	28.56	8.81
-9.5		-10	37.21	10.31	37.21	10.53	37.21	10.76	35.78	10.28	34.34	9.81	31.45	8.86
-8.5		-9.1	38.54	10.39	38.54	10.62	38.54	10.83	37.06	10.38	35.53	9.89	32.58	8.93
-7		-7.6	39.15	10.52	39.15	10.74	39.15	10.96	37.65	10.47	36.14	10.00	33.06	9.03
-5		-5.6	39.73	10.67	39.73	10.90	39.73	11.13	38.19	10.64	36.65	10.15	33.57	9.17
-3		-3.7	43.95	10.83	43.95	11.06	43.95	11.29	42.22	10.79	40.54	10.30	37.13	9.31
0		-0.7	47.4	11.06	47.4	11.29	47.4	11.52	45.53	11.01	43.71	10.52	40.03	9.51
3		2.2	51.6	11.29	51.6	11.53	51.6	11.77	49.61	11.25	47.55	10.75	43.56	9.71
5		4.1	57.1	11.44	57.1	11.69	57.1	11.94	54.88	11.40	52.65	10.89	48.15	9.84
7		6	56.25	11.60	56.25	11.86	56.25	12.09	54.03	11.56	51.86	11.04	47.42	9.99
9		7.9	56.25	11.21	56.25	11.44	56.25	11.69	54.03	11.17	51.86	10.67	47.42	9.64
11		9.8	56.25	10.83	56.25	11.06	56.25	11.29	54.03	10.79	51.86	10.30	47.42	9.31
13		11.8	56.25	10.43	56.25	10.66	56.25	10.88	54.03	10.40	51.86	9.92	47.42	8.98
15		13.7	56.25	10.05	56.25	10.25	56.25	10.47	54.03	10.01	51.86	9.56	47.42	8.64
100%		-14.7	-15	29.56	8.83	29.56	9.01	29.56	9.19	28.4	8.78	27.26	8.40	25.04
	-12.6	-13	30.1	8.97	30.1	9.17	30.1	9.34	28.91	8.93	27.79	8.53	25.43	7.71
	-10.5	-11	30.83	9.11	30.83	9.31	30.83	9.50	29.66	9.09	28.44	8.67	26.06	7.85
	-9.5	-10	33.91	9.18	33.91	9.38	33.91	9.58	32.59	9.16	31.27	8.73	28.69	7.91
	-8.5	-9.1	35.11	9.24	35.11	9.44	35.11	9.65	33.76	9.22	32.39	8.79	29.68	7.95
	-7	-7.6	35.68	9.36	35.68	9.56	35.68	9.75	34.28	9.32	32.89	8.91	30.17	8.04
	-5	-5.6	36.2	9.50	36.2	9.70	36.2	9.91	34.77	9.46	33.4	9.03	30.61	8.17
	-3	-3.7	40.03	9.64	40.03	9.84	40.03	10.05	38.47	9.61	36.9	9.17	33.82	8.29
	0	-0.7	43.16	9.84	43.16	10.07	43.16	10.26	41.46	9.81	39.8	9.37	36.45	8.47
	3	2.2	47.01	10.07	47.01	10.26	47.01	10.47	45.18	10.01	43.35	9.56	39.67	8.64

AUX ARV OUTDOOR UNIT – ARV 6 ALL DC INVERTER T1 50&60HZ

	5	4.1	51.97	10.18	51.97	10.40	50	10.63	49.95	10.15	47.94	9.69	43.86	8.76
	7	6	51.2	10.33	51.2	10.55	50	10.87	49.19	10.30	47.22	9.83	43.19	8.89
	9	7.9	51.2	9.99	51.2	10.20	50	10.40	49.19	9.94	47.22	9.50	43.19	8.58
	11	9.8	51.2	9.64	51.2	9.84	50	10.05	49.19	9.61	47.22	9.17	43.19	8.29
	13	11.8	51.2	9.29	51.2	9.48	50	9.68	49.19	9.26	47.22	8.83	43.19	7.98
	15	13.7	51.2	8.93	51.2	9.13	50	9.32	49.19	8.93	47.22	8.50	43.19	7.69
90%	-14.7	-15	26.69	7.78	26.69	7.95	26.69	8.13	25.67	7.76	24.65	7.41	22.62	6.70
	-12.6	-13	27.17	7.92	27.17	8.09	27.17	8.25	26.11	7.91	25.05	7.53	23.01	6.81
	-10.5	-11	27.83	8.06	27.83	8.21	27.83	8.40	26.79	8.02	25.69	7.65	23.56	6.93
	-9.5	-10	30.61	8.11	30.61	8.28	30.61	8.45	29.41	8.09	28.27	7.71	25.86	6.98
	-8.5	-9.1	31.69	8.17	31.69	8.35	31.69	8.52	30.45	8.14	29.27	7.78	26.8	7.02
	-7	-7.6	32.2	8.25	32.2	8.45	32.2	8.62	30.97	8.23	29.71	7.87	27.2	7.11
	-5	-5.6	32.66	8.40	32.66	8.56	32.66	8.74	31.4	8.37	30.15	7.98	27.59	7.22
	-3	-3.7	36.12	8.50	36.12	8.69	36.12	8.86	34.71	8.48	33.31	8.10	30.51	7.33
	0	-0.7	38.93	8.69	38.93	8.87	38.93	9.06	37.45	8.67	35.9	8.26	32.88	7.47
	3	2.2	42.37	8.87	42.37	9.07	42.37	9.24	40.7	8.86	39.07	8.45	35.79	7.64
	5	4.1	46.88	9.01	46.88	9.18	46.88	9.38	45.02	8.97	43.22	8.56	39.57	7.74
	7	6	46.16	9.12	46.16	9.31	46.16	9.51	44.35	9.10	42.58	8.67	38.95	7.85
	9	7.9	46.16	8.82	46.16	9.01	46.16	9.18	44.35	8.78	42.58	8.40	38.95	7.58
	11	9.8	46.16	8.50	46.16	8.69	46.16	8.86	44.35	8.48	42.58	8.10	38.95	7.33
	13	11.8	46.16	8.20	46.16	8.38	46.16	8.56	44.35	8.17	42.58	7.79	38.95	7.05
	15	13.7	46.16	7.91	46.16	8.06	46.16	8.23	44.35	7.87	42.58	7.51	38.95	6.79
80%	-14.7	-15	23.83	6.81	23.83	6.97	23.83	7.11	22.94	6.80	21.99	6.49	20.2	5.87
	-12.6	-13	24.26	6.94	24.26	7.07	24.26	7.22	23.32	6.90	22.39	6.60	20.53	5.96
	-10.5	-11	24.83	7.04	24.83	7.19	24.83	7.34	23.86	7.02	22.94	6.70	21.05	6.06
	-9.5	-10	27.31	7.10	27.31	7.25	27.31	7.40	26.29	7.07	25.21	6.75	23.11	6.09
	-8.5	-9.1	28.27	7.15	28.27	7.30	28.27	7.46	27.2	7.12	26.09	6.80	23.9	6.15
	-7	-7.6	28.71	7.22	28.71	7.39	28.71	7.53	27.61	7.22	26.51	6.88	24.3	6.22
	-5	-5.6	29.12	7.34	29.12	7.49	29.12	7.64	27.98	7.32	26.9	6.98	24.62	6.31
	-3	-3.7	32.2	7.44	32.2	7.60	32.2	7.76	30.96	7.42	29.73	7.09	27.21	6.41
	0	-0.7	34.7	7.60	34.7	7.76	34.7	7.94	33.38	7.58	32	7.23	29.3	6.53
	3	2.2	37.73	7.76	37.73	7.94	37.73	8.10	36.27	7.74	34.81	7.39	31.9	6.67
	5	4.1	41.74	7.87	41.74	8.04	41.74	8.21	40.1	7.85	38.51	7.49	35.22	6.77
	7	6	41.11	7.98	41.11	8.16	41.11	8.32	39.5	7.95	37.94	7.59	34.7	6.88
	9	7.9	41.11	7.71	41.11	7.87	41.11	8.04	39.5	7.69	37.94	7.34	34.7	6.64
	11	9.8	41.11	7.44	41.11	7.60	41.11	7.76	39.5	7.42	37.94	7.09	34.7	6.41
	13	11.8	41.11	7.17	41.11	7.33	41.11	7.49	39.5	7.15	37.94	6.83	34.7	6.17
	15	13.7	41.11	6.90	41.11	7.05	41.11	7.20	39.5	6.89	37.94	6.57	34.7	5.94
70%	-14.7	-15	20.96	5.84	20.96	5.97	20.96	6.09	20.2	5.82	19.38	5.56	17.8	5.02
	-12.6	-13	21.34	5.94	21.34	6.06	21.34	6.20	20.53	5.92	19.72	5.66	18.12	5.10
	-10.5	-11	21.84	6.03	21.84	6.17	21.84	6.28	20.99	6.01	20.2	5.74	18.55	5.20
	-9.5	-10	24.01	6.08	24.01	6.22	24.01	6.35	23.11	6.06	22.14	5.80	20.35	5.24
	-8.5	-9.1	24.84	6.12	24.84	6.26	24.84	6.39	23.9	6.11	22.95	5.82	21.06	5.27
	-7	-7.6	25.23	6.20	25.23	6.33	25.23	6.47	24.24	6.17	23.32	5.90	21.34	5.33
	-5	-5.6	25.59	6.28	25.59	6.42	25.59	6.56	24.62	6.27	23.65	5.98	21.65	5.41

AUX ARV OUTDOOR UNIT – ARV 6 ALL DC INVERTER T1 50&60HZ

	-3	-3.7	28.28	6.37	28.28	6.51	28.28	6.65	27.21	6.36	26.09	6.06	23.9	5.48
	0	-0.7	30.46	6.51	30.46	6.65	30.46	6.80	29.3	6.50	28.09	6.20	25.73	5.59
	3	2.2	33.14	6.65	33.14	6.80	33.14	6.96	31.84	6.64	30.55	6.33	28.01	5.73
	5	4.1	36.59	6.75	36.59	6.89	36.59	7.03	35.22	6.73	33.79	6.42	30.93	5.80
	7	6	36.07	6.84	36.07	6.98	36.07	7.14	34.65	6.83	33.24	6.50	30.47	5.88
	9	7.9	36.07	6.61	36.07	6.75	36.07	6.89	34.65	6.59	33.24	6.28	30.47	5.69
	11	9.8	36.07	6.37	36.07	6.51	36.07	6.65	34.65	6.36	33.24	6.07	30.47	5.48
	13	11.8	36.07	6.15	36.07	6.28	36.07	6.41	34.65	6.13	33.24	5.86	30.47	5.28
	15	13.7	36.07	5.92	36.07	6.04	36.07	6.17	34.65	5.90	33.24	5.63	30.47	5.09
60%	-14.7	-15	18.11	4.97	18.11	5.05	18.11	5.17	17.41	4.94	16.77	4.72	15.37	4.27
	-12.6	-13	18.42	5.04	18.42	5.14	18.42	5.26	17.74	5.03	17.06	4.79	15.64	4.34
	-10.5	-11	18.85	5.13	18.85	5.24	18.85	5.34	18.12	5.10	17.45	4.88	15.98	4.40
	-9.5	-10	20.71	5.17	20.71	5.28	20.71	5.39	19.92	5.14	19.15	4.90	17.58	4.45
	-8.5	-9.1	21.42	5.21	21.42	5.31	21.42	5.43	20.59	5.20	19.77	4.94	18.18	4.48
	-7	-7.6	21.75	5.26	21.75	5.37	21.75	5.48	20.93	5.26	20.07	5.01	18.44	4.52
	-5	-5.6	22.06	5.34	22.06	5.45	22.06	5.56	21.2	5.33	20.34	5.07	18.7	4.60
	-3	-3.7	24.35	5.42	24.35	5.53	24.35	5.64	23.4	5.41	22.51	5.16	20.6	4.67
	0	-0.7	26.22	5.53	26.22	5.66	26.22	5.77	25.24	5.52	24.19	5.27	22.21	4.76
	3	2.2	28.5	5.66	28.5	5.77	28.5	5.90	27.42	5.63	26.33	5.37	24.12	4.87
	5	4.1	31.51	5.74	31.51	5.86	31.51	5.98	30.3	5.71	29.07	5.45	26.63	4.93
	7	6	31.02	5.80	31.02	5.94	31.02	6.06	29.81	5.80	28.6	5.52	26.23	5.00
	9	7.9	31.02	5.60	31.02	5.74	31.02	5.86	29.81	5.59	28.6	5.34	26.23	4.83
	11	9.8	31.02	5.42	31.02	5.53	31.02	5.66	29.81	5.41	28.6	5.16	26.23	4.67
	13	11.8	31.02	5.22	31.02	5.33	31.02	5.44	29.81	5.21	28.6	4.98	26.23	4.49
15	13.7	31.02	5.03	31.02	5.14	31.02	5.25	29.81	5.02	28.6	4.79	26.23	4.33	
50%	-14.7	-15	15.25	4.00	15.25	4.09	15.25	4.18	14.67	3.99	14.1	3.81	12.95	3.45
	-12.6	-13	15.5	4.07	15.5	4.17	15.5	4.25	14.95	4.07	14.32	3.87	13.21	3.51
	-10.5	-11	15.86	4.14	15.86	4.23	15.86	4.31	15.25	4.14	14.71	3.94	13.49	3.55
	-9.5	-10	17.4	4.18	17.4	4.25	17.4	4.35	16.74	4.15	16.08	3.97	14.76	3.58
	-8.5	-9.1	17.99	4.21	17.99	4.28	17.99	4.38	17.28	4.19	16.63	3.99	15.28	3.62
	-7	-7.6	18.27	4.25	18.27	4.34	18.27	4.44	17.57	4.25	16.87	4.05	15.48	3.65
	-5	-5.6	18.52	4.31	18.52	4.40	18.52	4.50	17.83	4.29	17.1	4.11	15.72	3.72
	-3	-3.7	20.44	4.37	20.44	4.47	20.44	4.55	19.65	4.36	18.86	4.17	17.29	3.76
	0	-0.7	21.99	4.47	21.99	4.56	21.99	4.67	21.17	4.45	20.28	4.25	18.64	3.84
	3	2.2	23.9	4.56	23.9	4.67	23.9	4.76	23	4.55	22.07	4.34	20.24	3.93
	5	4.1	26.37	4.63	26.37	4.74	26.37	4.83	25.37	4.62	24.37	4.40	22.3	3.99
	7	6	25.98	4.69	25.98	4.79	25.98	4.90	24.97	4.67	23.96	4.47	21.99	4.04
	9	7.9	25.98	4.52	25.98	4.63	25.98	4.74	24.97	4.52	23.96	4.31	21.99	3.91
	11	9.8	25.98	4.37	25.98	4.47	25.98	4.55	24.97	4.36	23.96	4.17	21.99	3.76
	13	11.8	25.98	4.22	25.98	4.30	25.98	4.40	24.97	4.21	23.96	4.01	21.99	3.62
15	13.7	25.98	4.07	25.98	4.14	25.98	4.23	24.97	4.05	23.96	3.86	21.99	3.48	

7.2.6 ARV-H500/SR1MV

Combination	Outdoor air temp.	Indoor temperature(°C DB)					
		16	18	20	21	22	24
Capacity							

AUX ARV OUTDOOR UNIT – ARV 6 ALL DC INVERTER T1 50&60HZ .

index	(°C DB)		TC		PI		TC		PI		TC		PI	
			kW	kW	kW	kW	kW	kW	kW	kW	kW	kW	kW	kW
130%	-14.7	-15	36.3	11.37	36.3	11.62	36.3	11.85	34.87	11.33	33.52	10.82	30.67	9.78
	-12.6	-13	36.98	11.56	36.98	11.81	36.98	12.06	35.5	11.52	34.11	11.00	31.26	9.93
	-10.5	-11	37.87	11.74	37.87	12.00	37.87	12.25	36.44	11.71	34.93	11.18	31.99	10.11
	-9.5	-10	41.68	11.84	41.68	12.09	41.68	12.35	40.07	11.81	38.46	11.25	35.22	10.18
	-8.5	-9.1	43.16	11.93	43.16	12.19	43.16	12.44	41.51	11.89	39.8	11.35	36.49	10.26
	-7	-7.6	43.85	12.06	43.85	12.32	43.85	12.59	42.16	12.02	40.48	11.46	37.03	10.38
	-5	-5.6	44.5	12.24	44.5	12.50	44.5	12.77	42.77	12.21	41.05	11.64	37.6	10.53
	-3	-3.7	49.23	12.42	49.23	12.69	49.23	12.95	47.29	12.39	45.4	11.82	41.58	10.67
	0	-0.7	53.09	12.69	53.09	12.97	53.09	13.23	51	12.65	48.96	12.06	44.84	10.91
	3	2.2	57.79	12.97	57.79	13.23	57.79	13.50	55.56	12.92	53.26	12.32	48.79	11.14
	5	4.1	63.95	13.14	63.95	13.41	63.95	13.71	61.46	13.09	58.97	12.49	53.92	11.29
	7	6	63	13.33	63	13.59	63	13.88	60.51	13.27	58.09	12.67	53.11	11.46
	9	7.9	63	12.87	63	13.14	63	13.41	60.51	12.83	58.09	12.24	53.11	11.06
	11	9.8	63	12.42	63	12.69	63	12.95	60.51	12.39	58.09	11.82	53.11	10.67
	13	11.8	63	11.97	63	12.23	63	12.49	60.51	11.93	58.09	11.39	53.11	10.29
15	13.7	63	11.52	63	11.78	63	12.02	60.51	11.50	58.09	10.96	53.11	9.90	
120%	-14.7	-15	36.3	11.70	36.3	11.96	36.3	12.21	34.87	11.67	33.52	11.14	30.67	10.08
	-12.6	-13	36.98	11.89	36.98	12.17	36.98	12.41	35.5	11.87	34.11	11.33	31.26	10.24
	-10.5	-11	37.87	12.11	37.87	12.35	37.87	12.60	36.44	12.06	34.93	11.50	31.99	10.41
	-9.5	-10	41.68	12.20	41.68	12.44	41.68	12.71	40.07	12.16	38.46	11.60	35.22	10.48
	-8.5	-9.1	43.16	12.28	43.16	12.54	43.16	12.80	41.51	12.24	39.8	11.68	36.49	10.55
	-7	-7.6	43.85	12.41	43.85	12.69	43.85	12.95	42.16	12.39	40.48	11.82	37.03	10.67
	-5	-5.6	44.5	12.60	44.5	12.87	44.5	13.14	42.77	12.57	41.05	11.98	37.6	10.83
	-3	-3.7	49.23	12.79	49.23	13.06	49.23	13.34	47.29	12.76	45.4	12.17	41.58	11.00
	0	-0.7	53.09	13.06	53.09	13.34	53.09	13.62	51	13.02	48.96	12.42	44.84	11.24
	3	2.2	57.79	13.34	57.79	13.62	57.79	13.91	55.56	13.30	53.26	12.69	48.79	11.46
	5	4.1	63.95	13.52	63.95	13.81	63.95	14.10	61.46	13.48	58.97	12.85	53.92	11.63
	7	6	63	13.71	63	14.00	63	14.30	60.51	13.67	58.09	13.04	53.11	11.80
	9	7.9	63	13.24	63	13.53	63	13.81	60.51	13.20	58.09	12.60	53.11	11.39
	11	9.8	63	12.79	63	13.06	63	13.34	60.51	12.76	58.09	12.17	53.11	11.00
	13	11.8	63	12.32	63	12.59	63	12.85	60.51	12.29	58.09	11.72	53.11	10.60
15	13.7	63	11.87	63	12.12	63	12.38	60.51	11.83	58.09	11.28	53.11	10.21	
110%	-14.7	-15	36.3	11.93	36.3	12.20	36.3	12.44	34.87	11.89	33.52	11.37	30.67	10.26
	-12.6	-13	36.98	12.13	36.98	12.39	36.98	12.67	35.5	12.11	34.11	11.55	31.26	10.45
	-10.5	-11	37.87	12.33	37.87	12.59	37.87	12.85	36.44	12.29	34.93	11.74	31.99	10.61
	-9.5	-10	41.68	12.42	41.68	12.69	41.68	12.97	40.07	12.39	38.46	11.82	35.22	10.67
	-8.5	-9.1	43.16	12.52	43.16	12.79	43.16	13.05	41.51	12.49	39.8	11.91	36.49	10.77
	-7	-7.6	43.85	12.67	43.85	12.93	43.85	13.20	42.16	12.62	40.48	12.05	37.03	10.88
	-5	-5.6	44.5	12.85	44.5	13.13	44.5	13.40	42.77	12.82	41.05	12.22	37.6	11.05
	-3	-3.7	49.23	13.04	49.23	13.33	49.23	13.59	47.29	13.00	45.4	12.40	41.58	11.21
0	-0.7	53.09	13.33	53.09	13.59	53.09	13.88	51	13.27	48.96	12.67	44.84	11.46	

AUX ARV OUTDOOR UNIT – ARV 6 ALL DC INVERTER T1 50&60HZ .

	3	2.2	57.79	13.59	57.79	13.89	57.79	14.18	55.56	13.55	53.26	12.95	48.79	11.70
	5	4.1	63.95	13.79	63.95	14.09	63.95	14.38	61.46	13.74	58.97	13.12	53.92	11.85
	7	6	63	13.97	63	14.29	63	14.56	60.51	13.93	58.09	13.30	53.11	12.02
	9	7.9	63	13.50	63	13.79	63	14.09	60.51	13.46	58.09	12.85	53.11	11.62
	11	9.8	63	13.04	63	13.33	63	13.59	60.51	13.00	58.09	12.40	53.11	11.21
	13	11.8	63	12.57	63	12.84	63	13.10	60.51	12.53	58.09	11.96	53.11	10.82
	15	13.7	63	12.11	63	12.35	63	12.62	60.51	12.06	58.09	11.52	53.11	10.41
100%	-14.7	-15	33.11	10.64	33.11	10.86	33.11	11.07	31.81	10.58	30.54	10.12	28.04	9.14
	-12.6	-13	33.71	10.81	33.71	11.05	33.71	11.25	32.38	10.77	31.13	10.28	28.49	9.29
	-10.5	-11	34.53	10.98	34.53	11.21	34.53	11.44	33.22	10.95	31.85	10.45	29.18	9.45
	-9.5	-10	37.98	11.06	37.98	11.29	37.98	11.54	36.5	11.03	35.03	10.51	32.13	9.52
	-8.5	-9.1	39.33	11.14	39.33	11.37	39.33	11.63	37.81	11.10	36.28	10.60	33.24	9.58
	-7	-7.6	39.96	11.27	39.96	11.52	39.96	11.75	38.39	11.24	36.84	10.73	33.79	9.69
	-5	-5.6	40.54	11.44	40.54	11.68	40.54	11.93	38.94	11.41	37.41	10.88	34.28	9.85
	-3	-3.7	44.84	11.62	44.84	11.85	44.84	12.11	43.08	11.58	41.33	11.05	37.88	9.99
	0	-0.7	48.34	11.85	48.34	12.12	48.34	12.37	46.43	11.82	44.58	11.28	40.83	10.20
	3	2.2	52.65	12.12	52.65	12.37	52.65	12.62	50.6	12.06	48.55	11.52	44.43	10.41
	5	4.1	58.2	12.27	58.2	12.53	55.55	12.80	55.94	12.23	53.69	11.67	49.12	10.55
	7	6	57.35	12.44	57.35	12.71	55.55	12.88	55.09	12.40	52.88	11.84	48.37	10.71
	9	7.9	57.35	12.02	57.35	12.28	55.55	12.53	55.09	11.98	52.88	11.44	48.37	10.33
	11	9.8	57.35	11.62	57.35	11.85	55.55	12.11	55.09	11.58	52.88	11.05	48.37	9.99
	13	11.8	57.35	11.20	57.35	11.43	55.55	11.66	55.09	11.16	52.88	10.64	48.37	9.61
	15	13.7	57.35	10.77	57.35	11.00	55.55	11.24	55.09	10.75	52.88	10.25	48.37	9.26
	90%	-14.7	-15	29.9	9.37	29.9	9.58	29.9	9.79	28.75	9.34	27.61	8.93	25.33
-12.6		-13	30.43	9.54	30.43	9.74	30.43	9.95	29.25	9.52	28.06	9.08	25.77	8.21
-10.5		-11	31.17	9.71	31.17	9.90	31.17	10.11	30	9.66	28.77	9.22	26.39	8.35
-9.5		-10	34.28	9.77	34.28	9.97	34.28	10.18	32.94	9.74	31.66	9.29	28.96	8.40
-8.5		-9.1	35.49	9.85	35.49	10.06	35.49	10.26	34.11	9.81	32.78	9.36	30.01	8.45
-7		-7.6	36.06	9.95	36.06	10.17	36.06	10.38	34.69	9.91	33.27	9.48	30.47	8.56
-5		-5.6	36.58	10.11	36.58	10.31	36.58	10.53	35.17	10.08	33.77	9.61	30.9	8.70
-3		-3.7	40.45	10.25	40.45	10.47	40.45	10.67	38.88	10.22	37.31	9.75	34.17	8.83
0		-0.7	43.6	10.47	43.6	10.68	43.6	10.91	41.94	10.45	40.21	9.95	36.82	9.00
3		2.2	47.46	10.68	47.46	10.92	47.46	11.14	45.58	10.67	43.76	10.17	40.08	9.20
5		4.1	52.51	10.85	52.51	11.06	52.51	11.29	50.42	10.81	48.41	10.31	44.32	9.32
7		6	51.7	10.99	51.7	11.22	51.7	11.46	49.67	10.96	47.69	10.45	43.62	9.45
9		7.9	51.7	10.63	51.7	10.85	51.7	11.06	49.67	10.58	47.69	10.11	43.62	9.13
11		9.8	51.7	10.25	51.7	10.47	51.7	10.67	49.67	10.22	47.69	9.75	43.62	8.83
13		11.8	51.7	9.88	51.7	10.09	51.7	10.31	49.67	9.85	47.69	9.39	43.62	8.49
15		13.7	51.7	9.52	51.7	9.71	51.7	9.91	49.67	9.49	47.69	9.05	43.62	8.17
80%		-14.7	-15	26.69	8.21	26.69	8.39	26.69	8.56	25.69	8.18	24.63	7.81	22.63
	-12.6	-13	27.17	8.36	27.17	8.53	27.17	8.70	26.12	8.32	25.08	7.96	23	7.18
	-10.5	-11	27.81	8.48	27.81	8.66	27.81	8.85	26.72	8.45	25.69	8.07	23.58	7.30
	-9.5	-10	30.58	8.55	30.58	8.73	30.58	8.92	29.45	8.53	28.23	8.14	25.88	7.34
	-8.5	-9.1	31.66	8.61	31.66	8.79	31.66	8.98	30.47	8.58	29.22	8.18	26.77	7.40
	-7	-7.6	32.16	8.70	32.16	8.91	32.16	9.08	30.92	8.70	29.69	8.29	27.22	7.49

AUX ARV OUTDOOR UNIT – ARV 6 ALL DC INVERTER T1 50&60HZ

	-5	-5.6	32.62	8.83	32.62	9.03	32.62	9.21	31.34	8.81	30.13	8.40	27.58	7.60
	-3	-3.7	36.06	8.96	36.06	9.16	36.06	9.34	34.67	8.94	33.3	8.54	30.48	7.72
	0	-0.7	38.86	9.16	38.86	9.34	38.86	9.56	37.39	9.13	35.84	8.71	32.82	7.87
	3	2.2	42.25	9.34	42.25	9.56	42.25	9.75	40.62	9.32	38.99	8.91	35.72	8.04
	5	4.1	46.75	9.49	46.75	9.69	46.75	9.90	44.91	9.46	43.13	9.01	39.45	8.16
	7	6	46.05	9.61	46.05	9.82	46.05	10.03	44.24	9.58	42.49	9.14	38.87	8.28
	9	7.9	46.05	9.29	46.05	9.49	46.05	9.69	44.24	9.26	42.49	8.83	38.87	7.99
	11	9.8	46.05	8.96	46.05	9.16	46.05	9.34	44.24	8.94	42.49	8.54	38.87	7.72
	13	11.8	46.05	8.64	46.05	8.83	46.05	9.01	44.24	8.61	42.49	8.22	38.87	7.43
	15	13.7	46.05	8.32	46.05	8.49	46.05	8.68	44.24	8.31	42.49	7.91	38.87	7.16
70%	-14.7	-15	23.48	7.03	23.48	7.19	23.48	7.34	22.63	7.02	21.71	6.69	19.93	6.05
	-12.6	-13	23.9	7.16	23.9	7.30	23.9	7.46	23	7.14	22.09	6.82	20.29	6.15
	-10.5	-11	24.46	7.26	24.46	7.43	24.46	7.58	23.51	7.24	22.62	6.93	20.77	6.25
	-9.5	-10	26.89	7.32	26.89	7.49	26.89	7.64	25.88	7.30	24.8	6.98	22.79	6.31
	-8.5	-9.1	27.82	7.38	27.82	7.53	27.82	7.70	26.77	7.36	25.71	7.02	23.59	6.34
	-7	-7.6	28.26	7.48	28.26	7.62	28.26	7.79	27.15	7.43	26.12	7.11	23.9	6.42
	-5	-5.6	28.66	7.58	28.66	7.74	28.66	7.90	27.58	7.55	26.49	7.21	24.25	6.51
	-3	-3.7	31.67	7.68	31.67	7.84	31.67	8.01	30.48	7.66	29.22	7.30	26.77	6.61
	0	-0.7	34.12	7.84	34.12	8.01	34.12	8.18	32.82	7.82	31.46	7.48	28.81	6.74
	3	2.2	37.12	8.01	37.12	8.18	37.12	8.37	35.67	7.99	34.21	7.62	31.37	6.89
	5	4.1	40.98	8.14	40.98	8.31	40.98	8.47	39.45	8.11	37.85	7.74	34.64	6.99
	7	6	40.39	8.24	40.39	8.40	40.39	8.60	38.81	8.22	37.23	7.83	34.12	7.08
	9	7.9	40.39	7.97	40.39	8.14	40.39	8.31	38.81	7.94	37.23	7.58	34.12	6.85
	11	9.8	40.39	7.68	40.39	7.84	40.39	8.01	38.81	7.66	37.23	7.32	34.12	6.61
	13	11.8	40.39	7.40	40.39	7.58	40.39	7.72	38.81	7.40	37.23	7.05	34.12	6.37
15	13.7	40.39	7.14	40.39	7.28	40.39	7.43	38.81	7.11	37.23	6.79	34.12	6.13	
60%	-14.7	-15	20.28	5.98	20.28	6.09	20.28	6.24	19.5	5.95	18.78	5.68	17.21	5.14
	-12.6	-13	20.63	6.06	20.63	6.20	20.63	6.33	19.86	6.06	19.1	5.77	17.51	5.23
	-10.5	-11	21.11	6.18	21.11	6.31	21.11	6.44	20.29	6.15	19.55	5.87	17.9	5.30
	-9.5	-10	23.19	6.24	23.19	6.36	23.19	6.49	22.32	6.20	21.45	5.91	19.69	5.36
	-8.5	-9.1	23.99	6.28	23.99	6.41	23.99	6.54	23.06	6.25	22.14	5.95	20.36	5.40
	-7	-7.6	24.36	6.33	24.36	6.47	24.36	6.61	23.45	6.33	22.48	6.04	20.65	5.46
	-5	-5.6	24.71	6.44	24.71	6.57	24.71	6.70	23.74	6.42	22.78	6.11	20.94	5.54
	-3	-3.7	27.27	6.53	27.27	6.66	27.27	6.80	26.21	6.51	25.21	6.22	23.07	5.62
	0	-0.7	29.37	6.66	29.37	6.82	29.37	6.95	28.26	6.65	27.09	6.34	24.87	5.74
	3	2.2	31.92	6.82	31.92	6.95	31.92	7.11	30.71	6.79	29.49	6.47	27.02	5.86
	5	4.1	35.3	6.91	35.3	7.05	35.3	7.21	33.94	6.88	32.56	6.57	29.83	5.94
	7	6	34.75	6.99	34.75	7.15	34.75	7.30	33.39	6.98	32.03	6.65	29.38	6.02
	9	7.9	34.75	6.76	34.75	6.91	34.75	7.05	33.39	6.74	32.03	6.44	29.38	5.81
	11	9.8	34.75	6.53	34.75	6.66	34.75	6.82	33.39	6.51	32.03	6.22	29.38	5.62
	13	11.8	34.75	6.29	34.75	6.42	34.75	6.55	33.39	6.28	32.03	5.99	29.38	5.41
15	13.7	34.75	6.06	34.75	6.20	34.75	6.32	33.39	6.05	32.03	5.77	29.38	5.21	
50%	-14.7	-15	17.08	4.82	17.08	4.93	17.08	5.03	16.43	4.81	15.79	4.59	14.51	4.15
	-12.6	-13	17.36	4.90	17.36	5.03	17.36	5.12	16.74	4.90	16.04	4.67	14.8	4.22
	-10.5	-11	17.77	4.98	17.77	5.10	17.77	5.20	17.08	4.98	16.47	4.74	15.1	4.28

AUX ARV OUTDOOR UNIT – ARV 6 ALL DC INVERTER T1 50&60HZ .

-9.5	-10	19.49	5.03	19.49	5.12	19.49	5.24	18.75	5.01	18.01	4.78	16.53	4.32
-8.5	-9.1	20.15	5.08	20.15	5.16	20.15	5.29	19.36	5.05	18.63	4.81	17.11	4.36
-7	-7.6	20.46	5.12	20.46	5.23	20.46	5.34	19.68	5.11	18.9	4.88	17.34	4.40
-5	-5.6	20.74	5.20	20.74	5.30	20.74	5.42	19.97	5.17	19.15	4.94	17.61	4.48
-3	-3.7	22.89	5.27	22.89	5.38	22.89	5.48	22	5.25	21.12	5.03	19.37	4.53
0	-0.7	24.63	5.38	24.63	5.49	24.63	5.62	23.71	5.37	22.72	5.12	20.87	4.63
3	2.2	26.77	5.49	26.77	5.62	26.77	5.74	25.76	5.48	24.72	5.23	22.67	4.73
5	4.1	29.54	5.58	29.54	5.70	29.54	5.81	28.41	5.57	27.29	5.30	24.97	4.80
7	6	29.09	5.66	29.09	5.77	29.09	5.90	27.96	5.64	26.83	5.38	24.63	4.86
9	7.9	29.09	5.46	29.09	5.58	29.09	5.70	27.96	5.46	26.83	5.20	24.63	4.71
11	9.8	29.09	5.27	29.09	5.38	29.09	5.48	27.96	5.25	26.83	5.03	24.63	4.53
13	11.8	29.09	5.09	29.09	5.19	29.09	5.30	27.96	5.08	26.83	4.84	24.63	4.37
15	13.7	29.09	4.90	29.09	4.99	29.09	5.10	27.96	4.88	26.83	4.65	24.63	4.20

7.2.7 ARV-H560/SR1MV

Combination	Outdoor air		Indoor temperature(°C DB)											
	temp. (°C DB)		16		18		20		21		22		24	
Capacity index			TC	PI	TC	PI	TC	PI	TC	PI	TC	PI	TC	PI
			kW	kW	kW	kW	kW	kW	kW	kW	kW	kW	kW	kW
130%	-14.7	-15	40.33	13.29	40.33	13.58	40.33	13.86	38.74	13.25	37.24	12.65	34.07	11.44
	-12.6	-13	41.08	13.51	41.08	13.80	41.08	14.10	39.45	13.47	37.90	12.86	34.74	11.61
	-10.5	-11	42.08	13.72	42.08	14.02	42.08	14.32	40.48	13.69	38.81	13.07	35.54	11.82
	-9.5	-10	46.31	13.84	46.31	14.13	46.31	14.43	44.53	13.80	42.73	13.16	39.14	11.90
	-8.5	-9.1	47.96	13.95	47.96	14.24	47.96	14.54	46.12	13.90	44.22	13.27	40.55	11.99
	-7	-7.6	48.72	14.10	48.72	14.41	48.72	14.71	46.85	14.06	44.97	13.40	41.14	12.13
	-5	-5.6	49.44	14.31	49.44	14.61	49.44	14.92	47.52	14.28	45.61	13.61	41.78	12.31
	-3	-3.7	54.70	14.52	54.70	14.83	54.70	15.13	52.54	14.48	50.45	13.81	46.20	12.47
	0	-0.7	58.99	14.83	58.99	15.15	58.99	15.46	56.66	14.79	54.40	14.10	49.82	12.76
	3	2.2	64.21	15.15	64.21	15.46	64.21	15.78	61.74	15.10	59.18	14.41	54.21	13.02
	5	4.1	71.06	15.35	71.06	15.68	71.06	16.02	68.29	15.30	65.52	14.61	59.92	13.20
	7	6	70.00	15.58	70.00	15.89	70.00	16.23	67.24	15.51	64.54	14.81	59.01	13.39
	9	7.9	70.00	15.04	70.00	15.35	70.00	15.68	67.24	15.00	64.54	14.31	59.01	12.93
	11	9.8	70.00	14.52	70.00	14.83	70.00	15.13	67.24	14.48	64.54	13.81	59.01	12.47
	13	11.8	70.00	13.99	70.00	14.30	70.00	14.61	67.24	13.95	64.54	13.31	59.01	12.04
15	13.7	70.00	13.47	70.00	13.77	70.00	14.06	67.24	13.44	64.54	12.81	59.01	11.58	
120%	-14.7	-15	40.33	13.68	40.33	13.98	40.33	14.28	38.74	13.64	37.24	13.02	34.07	11.78
	-12.6	-13	41.08	13.90	41.08	14.22	41.08	14.51	39.45	13.88	37.90	13.24	34.74	11.96
	-10.5	-11	42.08	14.15	42.08	14.43	42.08	14.73	40.48	14.10	38.81	13.45	35.54	12.17
	-9.5	-10	46.31	14.26	46.31	14.54	46.31	14.86	44.53	14.21	42.73	13.56	39.14	12.25
	-8.5	-9.1	47.96	14.36	47.96	14.66	47.96	14.97	46.12	14.31	44.22	13.66	40.55	12.34
	-7	-7.6	48.72	14.51	48.72	14.83	48.72	15.13	46.85	14.48	44.97	13.81	41.14	12.47
	-5	-5.6	49.44	14.73	49.44	15.04	49.44	15.35	47.52	14.69	45.61	14.00	41.78	12.66
	-3	-3.7	54.70	14.96	54.70	15.27	54.70	15.59	52.54	14.91	50.45	14.22	46.20	12.86

AUX ARV OUTDOOR UNIT – ARV 6 ALL DC INVERTER T1 50&60HZ

	0	-0.7	58.99	15.27	58.99	15.59	58.99	15.93	56.66	15.22	54.40	14.52	49.82	13.13
	3	2.2	64.21	15.59	64.21	15.93	64.21	16.25	61.74	15.54	59.18	14.83	54.21	13.40
	5	4.1	71.06	15.80	71.06	16.14	71.06	16.48	68.29	15.75	65.52	15.02	59.92	13.60
	7	6	70.00	16.03	70.00	16.36	70.00	16.71	67.24	15.98	64.54	15.24	59.01	13.79
	9	7.9	70.00	15.48	70.00	15.82	70.00	16.14	67.24	15.43	64.54	14.73	59.01	13.31
	11	9.8	70.00	14.96	70.00	15.27	70.00	15.59	67.24	14.91	64.54	14.22	59.01	12.86
	13	11.8	70.00	14.41	70.00	14.71	70.00	15.02	67.24	14.37	64.54	13.70	59.01	12.38
	15	13.7	70.00	13.88	70.00	14.17	70.00	14.47	67.24	13.83	64.54	13.19	59.01	11.93
110%	-14.7	-15	40.33	13.95	40.33	14.26	40.33	14.54	38.74	13.90	37.24	13.29	34.07	11.99
	-12.6	-13	41.08	14.18	41.08	14.48	41.08	14.81	39.45	14.15	37.90	13.49	34.74	12.21
	-10.5	-11	42.08	14.41	42.08	14.71	42.08	15.02	40.48	14.37	38.81	13.72	35.54	12.40
	-9.5	-10	46.31	14.52	46.31	14.83	46.31	15.15	44.53	14.48	42.73	13.81	39.14	12.47
	-8.5	-9.1	47.96	14.63	47.96	14.96	47.96	15.25	46.12	14.61	44.22	13.92	40.55	12.58
	-7	-7.6	48.72	14.81	48.72	15.12	48.72	15.43	46.85	14.75	44.97	14.09	41.14	12.72
	-5	-5.6	49.44	15.02	49.44	15.34	49.44	15.67	47.52	14.99	45.61	14.29	41.78	12.92
	-3	-3.7	54.70	15.24	54.70	15.58	54.70	15.89	52.54	15.20	50.45	14.50	46.20	13.10
	0	-0.7	58.99	15.58	58.99	15.89	58.99	16.23	56.66	15.51	54.40	14.81	49.82	13.39
	3	2.2	64.21	15.89	64.21	16.24	64.21	16.57	61.74	15.84	59.18	15.13	54.21	13.68
	5	4.1	71.06	16.12	71.06	16.46	71.06	16.81	68.29	16.05	65.52	15.33	59.92	13.86
	7	6	70.00	16.34	70.00	16.70	70.00	17.03	67.24	16.28	64.54	15.54	59.01	14.06
	9	7.9	70.00	15.78	70.00	16.12	70.00	16.46	67.24	15.73	64.54	15.02	59.01	13.58
	11	9.8	70.00	15.24	70.00	15.58	70.00	15.89	67.24	15.20	64.54	14.50	59.01	13.10
	13	11.8	70.00	14.69	70.00	15.01	70.00	15.32	67.24	14.64	64.54	13.98	59.01	12.65
	15	13.7	70.00	14.15	70.00	14.43	70.00	14.75	67.24	14.10	64.54	13.47	59.01	12.17
100%	-14.7	-15	36.79	12.43	36.79	12.69	36.79	12.95	35.35	12.37	33.93	11.84	31.16	10.69
	-12.6	-13	37.45	12.63	37.45	12.91	37.45	13.16	35.98	12.58	34.58	12.01	31.65	10.85
	-10.5	-11	38.36	12.83	38.36	13.10	38.36	13.38	36.91	12.80	35.39	12.21	32.43	11.05
	-9.5	-10	42.20	12.93	42.20	13.20	42.20	13.49	40.56	12.89	38.92	12.29	35.70	11.14
	-8.5	-9.1	43.70	13.02	43.70	13.29	43.70	13.59	42.01	12.98	40.31	12.38	36.93	11.20
	-7	-7.6	44.40	13.18	44.40	13.47	44.40	13.73	42.66	13.13	40.93	12.55	37.54	11.33
	-5	-5.6	45.05	13.38	45.05	13.66	45.05	13.95	43.27	13.33	41.57	12.72	38.09	11.51
	-3	-3.7	49.82	13.58	49.82	13.86	49.82	14.15	47.87	13.53	45.92	12.91	42.09	11.67
	0	-0.7	53.71	13.86	53.71	14.17	53.71	14.45	51.59	13.81	49.53	13.19	45.36	11.92
	3	2.2	58.50	14.17	58.50	14.45	58.50	14.75	56.22	14.10	53.94	13.47	49.37	12.17
	5	4.1	64.67	14.34	64.67	14.64	64.67	14.87	62.16	14.30	59.66	13.64	54.58	12.34
	7	6	63.72	14.54	63.72	14.86	63.00	14.93	61.21	14.50	58.76	13.84	53.74	12.52
	9	7.9	63.72	14.06	63.72	14.36	63.00	14.64	61.21	14.00	58.76	13.38	53.74	12.08
	11	9.8	63.72	13.58	63.72	13.86	63.00	14.15	61.21	13.53	58.76	12.91	53.74	11.67
	13	11.8	63.72	13.08	63.72	13.36	63.00	13.63	61.21	13.04	58.76	12.43	53.74	11.24
	15	13.7	63.72	12.58	63.72	12.86	63.00	13.13	61.21	12.57	58.76	11.97	53.74	10.83
90%	-14.7	-15	33.22	10.95	33.22	11.20	33.22	11.45	31.94	10.93	30.68	10.44	28.15	9.43
	-12.6	-13	33.81	11.15	33.81	11.39	33.81	11.63	32.50	11.14	31.18	10.61	28.64	9.60
	-10.5	-11	34.63	11.35	34.63	11.56	34.63	11.82	33.34	11.29	31.97	10.78	29.32	9.75
	-9.5	-10	38.09	11.42	38.09	11.66	38.09	11.90	36.60	11.39	35.18	10.85	32.18	9.83
	-8.5	-9.1	39.44	11.51	39.44	11.76	39.44	11.99	37.90	11.46	36.42	10.95	33.35	9.88

AUX ARV OUTDOOR UNIT – ARV 6 ALL DC INVERTER T1 50&60HZ

	-7	-7.6	40.07	11.63	40.07	11.89	40.07	12.13	38.54	11.59	36.97	11.07	33.85	10.01
	-5	-5.6	40.65	11.82	40.65	12.06	40.65	12.31	39.08	11.78	37.52	11.24	34.33	10.16
	-3	-3.7	44.95	11.97	44.95	12.23	44.95	12.47	43.20	11.95	41.46	11.40	37.97	10.32
	0	-0.7	48.44	12.23	48.44	12.49	48.44	12.76	46.60	12.21	44.68	11.64	40.91	10.52
	3	2.2	52.73	12.49	52.73	12.77	52.73	13.02	50.65	12.47	48.62	11.89	44.54	10.75
	5	4.1	58.34	12.68	58.34	12.93	58.34	13.20	56.03	12.63	53.79	12.06	49.24	10.90
	7	6	57.45	12.85	57.45	13.11	57.45	13.39	55.19	12.81	52.99	12.21	48.47	11.05
	9	7.9	57.45	12.42	57.45	12.68	57.45	12.93	55.19	12.37	52.99	11.82	48.47	10.67
	11	9.8	57.45	11.97	57.45	12.23	57.45	12.47	55.19	11.95	52.99	11.40	48.47	10.32
	13	11.8	57.45	11.55	57.45	11.80	57.45	12.06	55.19	11.51	52.99	10.97	48.47	9.93
	15	13.7	57.45	11.14	57.45	11.35	57.45	11.59	55.19	11.09	52.99	10.58	48.47	9.55
80%	-14.7	-15	29.66	9.60	29.66	9.82	29.66	10.01	28.55	9.57	27.36	9.13	25.14	8.27
	-12.6	-13	30.19	9.77	30.19	9.96	30.19	10.17	29.02	9.72	27.86	9.30	25.55	8.39
	-10.5	-11	30.90	9.92	30.90	10.13	30.90	10.34	29.69	9.88	28.55	9.43	26.20	8.53
	-9.5	-10	33.98	9.99	33.98	10.20	33.98	10.42	32.72	9.96	31.37	9.51	28.76	8.58
	-8.5	-9.1	35.18	10.07	35.18	10.28	35.18	10.50	33.85	10.03	32.46	9.57	29.75	8.66
	-7	-7.6	35.73	10.17	35.73	10.41	35.73	10.61	34.36	10.16	32.99	9.69	30.24	8.76
	-5	-5.6	36.24	10.33	36.24	10.55	36.24	10.76	34.82	10.30	33.48	9.83	30.64	8.89
	-3	-3.7	40.07	10.48	40.07	10.71	40.07	10.93	38.53	10.45	37.00	9.98	33.86	9.02
	0	-0.7	43.18	10.71	43.18	10.93	43.18	11.18	41.54	10.67	39.82	10.18	36.47	9.20
	3	2.2	46.95	10.93	46.95	11.18	46.95	11.40	45.14	10.90	43.32	10.41	39.69	9.40
	5	4.1	51.95	11.09	51.95	11.33	51.95	11.56	49.90	11.05	47.92	10.54	43.83	9.53
	7	6	51.16	11.24	51.16	11.48	51.16	11.72	49.15	11.20	47.21	10.69	43.19	9.68
	9	7.9	51.16	10.85	51.16	11.09	51.16	11.33	49.15	10.83	47.21	10.33	43.19	9.34
	11	9.8	51.16	10.48	51.16	10.71	51.16	10.93	49.15	10.45	47.21	9.98	43.19	9.02
	13	11.8	51.16	10.10	51.16	10.32	51.16	10.54	49.15	10.07	47.21	9.62	43.19	8.69
15	13.7	51.16	9.72	51.16	9.93	51.16	10.14	49.15	9.71	47.21	9.24	43.19	8.37	
70%	-14.7	-15	26.09	8.22	26.09	8.40	26.09	8.58	25.14	8.20	24.12	7.82	22.15	7.07
	-12.6	-13	26.55	8.37	26.55	8.53	26.55	8.72	25.55	8.34	24.54	7.97	22.55	7.18
	-10.5	-11	27.18	8.49	27.18	8.69	27.18	8.85	26.12	8.47	25.13	8.09	23.08	7.31
	-9.5	-10	29.88	8.56	29.88	8.76	29.88	8.93	28.76	8.53	27.55	8.16	25.32	7.38
	-8.5	-9.1	30.91	8.62	30.91	8.81	30.91	9.00	29.75	8.60	28.56	8.20	26.21	7.41
	-7	-7.6	31.40	8.74	31.40	8.91	31.40	9.11	30.17	8.69	29.02	8.31	26.55	7.50
	-5	-5.6	31.84	8.85	31.84	9.04	31.84	9.23	30.64	8.82	29.43	8.42	26.94	7.61
	-3	-3.7	35.19	8.98	35.19	9.17	35.19	9.37	33.86	8.96	32.46	8.53	29.75	7.72
	0	-0.7	37.91	9.17	37.91	9.37	37.91	9.57	36.47	9.14	34.96	8.74	32.02	7.88
	3	2.2	41.24	9.37	41.24	9.57	41.24	9.79	39.63	9.34	38.02	8.91	34.86	8.06
	5	4.1	45.54	9.51	45.54	9.71	45.54	9.90	43.83	9.48	42.05	9.04	38.49	8.17
	7	6	44.88	9.63	44.88	9.83	44.88	10.05	43.12	9.62	41.37	9.15	37.92	8.28
	9	7.9	44.88	9.31	44.88	9.51	44.88	9.71	43.12	9.28	41.37	8.85	37.92	8.01
	11	9.8	44.88	8.98	44.88	9.17	44.88	9.37	43.12	8.96	41.37	8.55	37.92	7.72
	13	11.8	44.88	8.66	44.88	8.85	44.88	9.02	43.12	8.64	41.37	8.25	37.92	7.44
15	13.7	44.88	8.34	44.88	8.51	44.88	8.69	43.12	8.31	41.37	7.93	37.92	7.17	
60%	-14.7	-15	22.54	6.99	22.54	7.12	22.54	7.28	21.66	6.96	20.87	6.65	19.12	6.01
	-12.6	-13	22.92	7.09	22.92	7.25	22.92	7.40	22.07	7.08	21.23	6.75	19.46	6.11

AUX ARV OUTDOOR UNIT – ARV 6 ALL DC INVERTER T1 50&60HZ

	-10.5	-11	23.46	7.22	23.46	7.38	23.46	7.52	22.55	7.18	21.72	6.87	19.89	6.20
	-9.5	-10	25.77	7.28	25.77	7.43	25.77	7.59	24.79	7.25	23.83	6.91	21.88	6.26
	-8.5	-9.1	26.65	7.35	26.65	7.48	26.65	7.64	25.62	7.31	24.60	6.96	22.62	6.31
	-7	-7.6	27.07	7.40	27.07	7.57	27.07	7.72	26.05	7.40	24.98	7.06	22.95	6.37
	-5	-5.6	27.45	7.52	27.45	7.68	27.45	7.83	26.38	7.50	25.31	7.15	23.27	6.47
	-3	-3.7	30.30	7.63	30.30	7.79	30.30	7.94	29.12	7.61	28.01	7.27	25.63	6.57
	0	-0.7	32.63	7.79	32.63	7.97	32.63	8.12	31.41	7.78	30.10	7.41	27.64	6.71
	3	2.2	35.47	7.97	35.47	8.12	35.47	8.31	34.12	7.93	32.77	7.57	30.02	6.86
	5	4.1	39.22	8.08	39.22	8.25	39.22	8.42	37.71	8.04	36.18	7.68	33.14	6.95
	7	6	38.61	8.17	38.61	8.36	38.61	8.53	37.10	8.16	35.59	7.78	32.64	7.04
	9	7.9	38.61	7.89	38.61	8.08	38.61	8.25	37.10	7.88	35.59	7.52	32.64	6.79
	11	9.8	38.61	7.63	38.61	7.79	38.61	7.97	37.10	7.61	35.59	7.27	32.64	6.57
	13	11.8	38.61	7.36	38.61	7.50	38.61	7.66	37.10	7.35	35.59	7.00	32.64	6.32
	15	13.7	38.61	7.08	38.61	7.24	38.61	7.39	37.10	7.07	35.59	6.75	32.64	6.09
50%	-14.7	-15	18.98	5.64	18.98	5.76	18.98	5.88	18.26	5.63	17.55	5.36	16.12	4.85
	-12.6	-13	19.29	5.73	19.29	5.87	19.29	5.99	18.60	5.72	17.82	5.45	16.44	4.94
	-10.5	-11	19.74	5.83	19.74	5.96	19.74	6.07	18.98	5.83	18.30	5.55	16.78	5.00
	-9.5	-10	21.65	5.88	21.65	5.99	21.65	6.12	20.83	5.85	20.01	5.59	18.37	5.04
	-8.5	-9.1	22.39	5.93	22.39	6.03	22.39	6.17	21.51	5.90	20.70	5.63	19.01	5.10
	-7	-7.6	22.74	5.99	22.74	6.11	22.74	6.25	21.86	5.98	21.00	5.70	19.27	5.14
	-5	-5.6	23.05	6.07	23.05	6.20	23.05	6.34	22.19	6.05	21.28	5.78	19.57	5.24
	-3	-3.7	25.43	6.16	25.43	6.29	25.43	6.41	24.45	6.14	23.47	5.87	21.52	5.30
	0	-0.7	27.36	6.29	27.36	6.42	27.36	6.57	26.34	6.27	25.24	5.99	23.19	5.41
	3	2.2	29.75	6.42	29.75	6.57	29.75	6.71	28.62	6.41	27.46	6.11	25.19	5.54
	5	4.1	32.82	6.52	32.82	6.67	32.82	6.79	31.57	6.51	30.32	6.20	27.75	5.61
	7	6	32.33	6.61	32.33	6.75	32.33	6.90	31.07	6.58	29.81	6.29	27.36	5.68
	9	7.9	32.33	6.37	32.33	6.52	32.33	6.67	31.07	6.37	29.81	6.07	27.36	5.50
	11	9.8	32.33	6.16	32.33	6.29	32.33	6.41	31.07	6.14	29.81	5.87	27.36	5.30
	13	11.8	32.33	5.95	32.33	6.06	32.33	6.20	31.07	5.93	29.81	5.65	27.36	5.11
15	13.7	32.33	5.72	32.33	5.84	32.33	5.96	31.07	5.70	29.81	5.44	27.36	4.91	

7.2.8 ARV-H610/SR1MV

Combination	Outdoor air		Indoor temperature(°C DB)											
	Capacity index	temp. (°C DB)	16		18		20		21		22		24	
TC			PI	TC	PI	TC	PI	TC	PI	TC	PI	TC	PI	
			kW	kW	kW	kW	kW	kW	kW	kW	kW	kW	kW	
130%	-14.7	-15	44.29	14.6	44.29	14.91	44.29	15.22	42.55	14.55	40.9	13.89	37.42	12.56
	-12.6	-13	45.12	14.84	45.12	15.15	45.12	15.49	43.32	14.79	41.62	14.12	38.15	12.75
	-10.5	-11	46.21	15.07	46.21	15.4	46.21	15.73	44.46	15.03	42.62	14.35	39.03	12.98
	-9.5	-10	50.86	15.2	50.86	15.52	50.86	15.85	48.9	15.15	46.93	14.45	42.98	13.07
	-8.5	-9.1	52.67	15.32	52.67	15.64	52.67	15.97	50.65	15.27	48.56	14.57	44.53	13.17
	-7	-7.6	53.51	15.49	53.51	15.82	53.51	16.15	51.45	15.44	49.39	14.72	45.18	13.32
	-5	-5.6	54.3	15.72	54.3	16.05	54.3	16.39	52.19	15.68	50.09	14.95	45.88	13.52

AUX ARV OUTDOOR UNIT – ARV 6 ALL DC INVERTER T1 50&60HZ

	-3	-3.7	60.07	15.95	60.07	16.29	60.07	16.62	57.7	15.9	55.4	15.17	50.74	13.7
	0	-0.7	64.78	16.29	64.78	16.64	64.78	16.98	62.23	16.24	59.74	15.49	54.71	14.01
	3	2.2	70.52	16.64	70.52	16.98	70.52	17.33	67.8	16.58	64.99	15.82	59.53	14.3
	5	4.1	78.04	16.86	78.04	17.22	78.04	17.59	75	16.8	71.96	16.04	65.8	14.5
	7	6	76.88	17.11	76.88	17.45	76.88	17.82	73.84	17.03	70.88	16.27	64.81	14.71
	9	7.9	76.88	16.52	76.88	16.86	76.88	17.22	73.84	16.47	70.88	15.72	64.81	14.2
	11	9.8	76.88	15.95	76.88	16.29	76.88	16.62	73.84	15.9	70.88	15.17	64.81	13.7
	13	11.8	76.88	15.36	76.88	15.7	76.88	16.04	73.84	15.32	70.88	14.62	64.81	13.22
	15	13.7	76.88	14.79	76.88	15.12	76.88	15.44	73.84	14.76	70.88	14.07	64.81	12.72
120%	-14.7	-15	44.29	15.02	44.29	15.35	44.29	15.68	42.55	14.98	40.9	14.3	37.42	12.94
	-12.6	-13	45.12	15.27	45.12	15.62	45.12	15.94	43.32	15.24	41.62	14.54	38.15	13.14
	-10.5	-11	46.21	15.54	46.21	15.85	46.21	16.18	44.46	15.49	42.62	14.77	39.03	13.36
	-9.5	-10	50.86	15.66	50.86	15.97	50.86	16.32	48.9	15.61	46.93	14.89	42.98	13.45
	-8.5	-9.1	52.67	15.77	52.67	16.1	52.67	16.44	50.65	15.72	48.56	15	44.53	13.55
	-7	-7.6	53.51	15.94	53.51	16.29	53.51	16.62	51.45	15.9	49.39	15.17	45.18	13.7
	-5	-5.6	54.3	16.18	54.3	16.52	54.3	16.86	52.19	16.13	50.09	15.38	45.88	13.9
	-3	-3.7	60.07	16.43	60.07	16.77	60.07	17.12	57.7	16.37	55.4	15.62	50.74	14.12
	0	-0.7	64.78	16.77	64.78	17.12	64.78	17.49	62.23	16.72	59.74	15.95	54.71	14.42
	3	2.2	70.52	17.12	70.52	17.49	70.52	17.85	67.8	17.07	64.99	16.29	59.53	14.72
	5	4.1	78.04	17.35	78.04	17.73	78.04	18.1	75	17.3	71.96	16.5	65.8	14.94
	7	6	76.88	17.6	76.88	17.97	76.88	18.35	73.84	17.55	70.88	16.74	64.81	15.14
	9	7.9	76.88	17	76.88	17.37	76.88	17.73	73.84	16.95	70.88	16.18	64.81	14.62
	11	9.8	76.88	16.43	76.88	16.77	76.88	17.12	73.84	16.37	70.88	15.62	64.81	14.12
	13	11.8	76.88	15.82	76.88	16.15	76.88	16.5	73.84	15.78	70.88	15.05	64.81	13.6
15	13.7	76.88	15.24	76.88	15.56	76.88	15.89	73.84	15.19	70.88	14.49	64.81	13.1	
110%	-14.7	-15	44.29	15.32	44.29	15.66	44.29	15.97	42.55	15.27	40.9	14.59	37.42	13.17
	-12.6	-13	45.12	15.57	45.12	15.9	45.12	16.26	43.32	15.54	41.62	14.82	38.15	13.41
	-10.5	-11	46.21	15.83	46.21	16.16	46.21	16.5	44.46	15.78	42.62	15.07	39.03	13.62
	-9.5	-10	50.86	15.95	50.86	16.29	50.86	16.64	48.9	15.9	46.93	15.17	42.98	13.7
	-8.5	-9.1	52.67	16.07	52.67	16.43	52.67	16.75	50.65	16.04	48.56	15.29	44.53	13.82
	-7	-7.6	53.51	16.26	53.51	16.6	53.51	16.95	51.45	16.2	49.39	15.47	45.18	13.97
	-5	-5.6	54.3	16.5	54.3	16.85	54.3	17.21	52.19	16.46	50.09	15.69	45.88	14.19
	-3	-3.7	60.07	16.74	60.07	17.11	60.07	17.45	57.7	16.69	55.4	15.92	50.74	14.39
	0	-0.7	64.78	17.11	64.78	17.45	64.78	17.82	62.23	17.03	59.74	16.27	54.71	14.71
	3	2.2	70.52	17.45	70.52	17.83	70.52	18.2	67.8	17.4	64.99	16.62	59.53	15.02
	5	4.1	78.04	17.7	78.04	18.08	78.04	18.46	75	17.63	71.96	16.84	65.8	15.22
	7	6	76.88	17.94	76.88	18.34	76.88	18.7	73.84	17.88	70.88	17.07	64.81	15.44
	9	7.9	76.88	17.33	76.88	17.7	76.88	18.08	73.84	17.28	70.88	16.5	64.81	14.91
	11	9.8	76.88	16.74	76.88	17.11	76.88	17.45	73.84	16.69	70.88	15.92	64.81	14.39
	13	11.8	76.88	16.13	76.88	16.48	76.88	16.82	73.84	16.08	70.88	15.35	64.81	13.89
15	13.7	76.88	15.54	76.88	15.85	76.88	16.2	73.84	15.49	70.88	14.79	64.81	13.36	
100%	-14.7	-15	40.4	13.65	40.4	13.94	40.4	14.22	38.82	13.58	37.26	13	34.22	11.74
	-12.6	-13	41.13	13.87	41.13	14.18	41.13	14.45	39.51	13.82	37.98	13.19	34.76	11.92
	-10.5	-11	42.13	14.09	42.13	14.39	42.13	14.69	40.54	14.06	38.87	13.41	35.61	12.13
	-9.5	-10	46.35	14.2	46.35	14.5	46.35	14.81	44.54	14.16	42.74	13.5	39.21	12.23

AUX ARV OUTDOOR UNIT – ARV 6 ALL DC INVERTER T1 50&60HZ

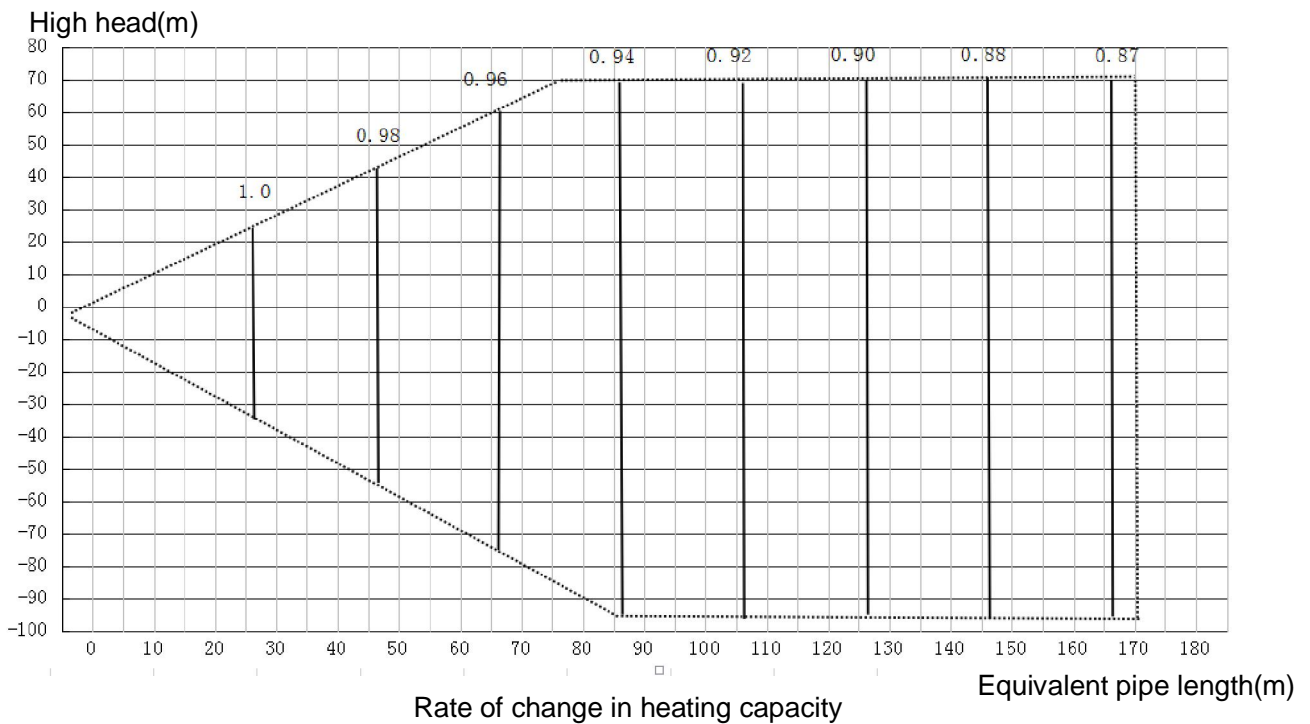
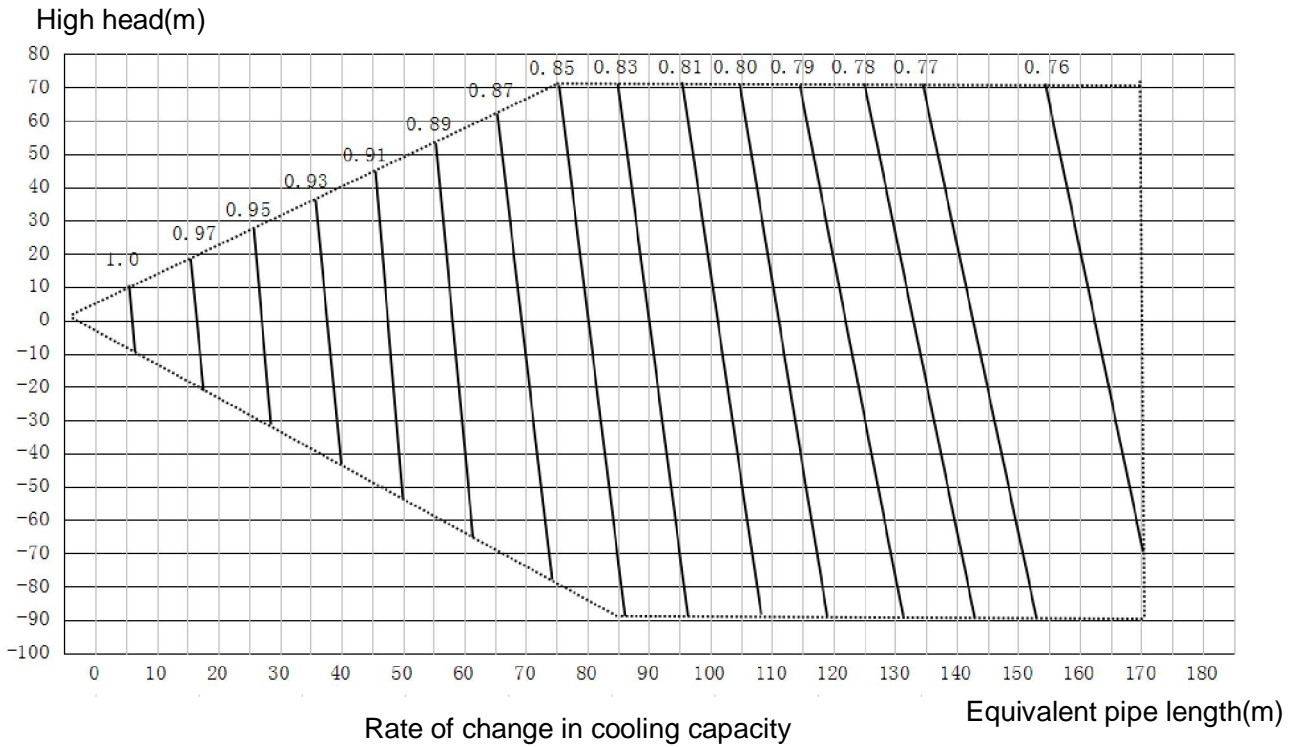
	-8.5	-9.1	47.99	14.3	47.99	14.6	47.99	14.93	46.14	14.25	44.27	13.6	40.56	12.3
	-7	-7.6	48.76	14.47	48.76	14.79	48.76	15.08	46.85	14.42	44.95	13.78	41.23	12.44
	-5	-5.6	49.47	14.69	49.47	15	49.47	15.32	47.52	14.64	45.65	13.97	41.83	12.64
	-3	-3.7	54.71	14.91	54.71	15.22	54.71	15.54	52.57	14.86	50.43	14.18	46.22	12.82
	0	-0.7	58.99	15.22	58.99	15.56	58.99	15.87	56.66	15.17	54.4	14.49	49.82	13.09
	3	2.2	64.25	15.56	64.25	15.87	64.25	16.2	61.74	15.49	59.24	14.79	54.22	13.36
	5	4.1	71.02	15.75	71.02	16.08	71.02	16.44	68.26	15.7	65.52	14.98	59.94	13.55
	7	6	69.98	15.97	69.98	16.32	69.00	16.67	67.22	15.92	64.53	15.2	59.02	13.75
	9	7.9	69.98	15.44	69.98	15.77	69.00	16.18	67.22	15.38	64.53	14.69	59.02	13.27
	11	9.8	69.98	14.91	69.98	15.22	69.00	15.54	67.22	14.86	64.53	14.18	59.02	12.82
	13	11.8	69.98	14.37	69.98	14.67	69.00	14.97	67.22	14.32	64.53	13.65	59.02	12.34
	15	13.7	69.98	13.82	69.98	14.12	69.00	14.42	67.22	13.8	64.53	13.15	59.02	11.89
90%	-14.7	-15	36.48	12.03	36.48	12.3	36.48	12.57	35.08	12	33.69	11.46	30.91	10.36
	-12.6	-13	37.13	12.25	37.13	12.51	37.13	12.77	35.69	12.23	34.24	11.65	31.45	10.54
	-10.5	-11	38.03	12.46	38.03	12.7	38.03	12.98	36.61	12.4	35.11	11.84	32.2	10.71
	-9.5	-10	41.83	12.54	41.83	12.8	41.83	13.07	40.19	12.51	38.63	11.92	35.34	10.79
	-8.5	-9.1	43.31	12.64	43.31	12.91	43.31	13.17	41.62	12.59	40	12.02	36.62	10.85
	-7	-7.6	44	12.77	44	13.06	44	13.32	42.33	12.73	40.6	12.16	37.18	10.99
	-5	-5.6	44.64	12.98	44.64	13.24	44.64	13.52	42.92	12.94	41.21	12.34	37.7	11.16
	-3	-3.7	49.36	13.15	49.36	13.43	49.36	13.7	47.44	13.12	45.53	12.52	41.7	11.33
	0	-0.7	53.2	13.43	53.2	13.72	53.2	14.01	51.18	13.41	49.07	12.78	44.93	11.55
	3	2.2	57.91	13.72	57.91	14.02	57.91	14.3	55.62	13.69	53.4	13.06	48.91	11.81
	5	4.1	64.07	13.92	64.07	14.2	64.07	14.5	61.53	13.87	59.07	13.24	54.08	11.97
	7	6	63.09	14.11	63.09	14.4	63.09	14.71	60.61	14.07	58.19	13.41	53.23	12.13
	9	7.9	63.09	13.64	63.09	13.92	63.09	14.2	60.61	13.58	58.19	12.98	53.23	11.72
	11	9.8	63.09	13.15	63.09	13.43	63.09	13.7	60.61	13.12	58.19	12.52	53.23	11.33
13	11.8	63.09	12.68	63.09	12.96	63.09	13.24	60.61	12.64	58.19	12.05	53.23	10.9	
15	13.7	63.09	12.23	63.09	12.47	63.09	12.73	60.61	12.18	58.19	11.62	53.23	10.49	
80%	-14.7	-15	32.57	10.54	32.57	10.78	32.57	10.99	31.35	10.51	30.05	10.03	27.61	9.08
	-12.6	-13	33.15	10.73	33.15	10.94	33.15	11.17	31.87	10.68	30.6	10.21	28.06	9.21
	-10.5	-11	33.94	10.89	33.94	11.12	33.94	11.36	32.61	10.85	31.35	10.36	28.77	9.37
	-9.5	-10	37.32	10.97	37.32	11.2	37.32	11.44	35.93	10.94	34.45	10.44	31.58	9.42
	-8.5	-9.1	38.63	11.06	38.63	11.29	38.63	11.53	37.18	11.02	35.65	10.51	32.67	9.51
	-7	-7.6	39.24	11.17	39.24	11.43	39.24	11.65	37.73	11.16	36.23	10.64	33.21	9.62
	-5	-5.6	39.8	11.34	39.8	11.59	39.8	11.82	38.24	11.31	36.77	10.79	33.65	9.76
	-3	-3.7	44	11.51	44	11.76	44	12	42.31	11.48	40.63	10.96	37.19	9.91
	0	-0.7	47.42	11.76	47.42	12	47.42	12.28	45.62	11.72	43.73	11.18	40.05	10.1
	3	2.2	51.56	12	51.56	12.28	51.56	12.52	49.57	11.97	47.58	11.43	43.59	10.32
	5	4.1	57.05	12.18	57.05	12.44	57.05	12.7	54.8	12.14	52.63	11.57	48.14	10.47
	7	6	56.19	12.34	56.19	12.61	56.19	12.87	53.98	12.3	51.85	11.74	47.43	10.63
	9	7.9	56.19	11.92	56.19	12.18	56.19	12.44	53.98	11.89	51.85	11.34	47.43	10.26
	11	9.8	56.19	11.51	56.19	11.76	56.19	12	53.98	11.48	51.85	10.96	47.43	9.91
13	11.8	56.19	11.09	56.19	11.33	56.19	11.57	53.98	11.06	51.85	10.56	47.43	9.54	
15	13.7	56.19	10.68	56.19	10.9	56.19	11.14	53.98	10.66	51.85	10.15	47.43	9.19	
70%	-14.7	-15	28.65	9.03	28.65	9.23	28.65	9.42	27.61	9.01	26.49	8.59	24.32	7.76

AUX ARV OUTDOOR UNIT – ARV 6 ALL DC INVERTER T1 50&60HZ

	-12.6	-13	29.16	9.19	29.16	9.37	29.16	9.58	28.06	9.16	26.95	8.75	24.76	7.89
	-10.5	-11	29.85	9.32	29.85	9.54	29.85	9.72	28.69	9.3	27.6	8.89	25.35	8.03
	-9.5	-10	32.81	9.4	32.81	9.62	32.81	9.81	31.58	9.37	30.26	8.96	27.81	8.1
	-8.5	-9.1	33.95	9.47	33.95	9.67	33.95	9.88	32.67	9.44	31.37	9.01	28.78	8.14
	-7	-7.6	34.48	9.6	34.48	9.79	34.48	10	33.13	9.54	31.87	9.13	29.16	8.24
	-5	-5.6	34.97	9.72	34.97	9.93	34.97	10.14	33.65	9.69	32.32	9.25	29.59	8.36
	-3	-3.7	38.65	9.86	38.65	10.07	38.65	10.29	37.19	9.84	35.65	9.37	32.67	8.48
	0	-0.7	41.63	10.07	41.63	10.29	41.63	10.51	40.05	10.04	38.39	9.6	35.16	8.65
	3	2.2	45.29	10.29	45.29	10.51	45.29	10.75	43.52	10.26	41.75	9.79	38.28	8.85
	5	4.1	50.01	10.44	50.01	10.66	50.01	10.87	48.14	10.41	46.18	9.93	42.27	8.97
	7	6	49.29	10.58	49.29	10.79	49.29	11.04	47.36	10.56	45.43	10.05	41.64	9.09
	9	7.9	49.29	10.22	49.29	10.44	49.29	10.66	47.36	10.19	45.43	9.72	41.64	8.8
	11	9.8	49.29	9.86	49.29	10.07	49.29	10.29	47.36	9.84	45.43	9.39	41.64	8.48
	13	11.8	49.29	9.51	49.29	9.72	49.29	9.91	47.36	9.49	45.43	9.06	41.64	8.17
	15	13.7	49.29	9.16	49.29	9.35	49.29	9.54	47.36	9.13	45.43	8.71	41.64	7.87
60%	-14.7	-15	24.75	7.68	24.75	7.82	24.75	8	23.79	7.64	22.92	7.3	21	6.6
	-12.6	-13	25.17	7.79	25.17	7.96	25.17	8.13	24.24	7.77	23.31	7.41	21.37	6.71
	-10.5	-11	25.76	7.93	25.76	8.1	25.76	8.26	24.76	7.89	23.85	7.54	21.84	6.81
	-9.5	-10	28.3	8	28.3	8.16	28.3	8.33	27.23	7.96	26.17	7.59	24.03	6.88
	-8.5	-9.1	29.27	8.07	29.27	8.22	29.27	8.39	28.14	8.03	27.02	7.64	24.84	6.93
	-7	-7.6	29.73	8.13	29.73	8.31	29.73	8.48	28.61	8.13	27.43	7.75	25.2	7
	-5	-5.6	30.15	8.26	30.15	8.43	30.15	8.6	28.97	8.24	27.8	7.85	25.55	7.11
	-3	-3.7	33.28	8.38	33.28	8.55	33.28	8.72	31.98	8.36	30.76	7.98	28.15	7.21
	0	-0.7	35.84	8.55	35.84	8.75	35.84	8.92	34.49	8.54	33.06	8.14	30.35	7.37
	3	2.2	38.95	8.75	38.95	8.92	38.95	9.13	37.47	8.71	35.99	8.31	32.97	7.53
	5	4.1	43.07	8.87	43.07	9.06	43.07	9.25	41.41	8.83	39.73	8.43	36.4	7.63
	7	6	42.4	8.97	42.4	9.18	42.4	9.37	40.74	8.96	39.09	8.54	35.85	7.73
	9	7.9	42.4	8.67	42.4	8.87	42.4	9.06	40.74	8.65	39.09	8.26	35.85	7.46
	11	9.8	42.4	8.38	42.4	8.55	42.4	8.75	40.74	8.36	39.09	7.98	35.85	7.21
	13	11.8	42.4	8.08	42.4	8.24	42.4	8.41	40.74	8.07	39.09	7.69	35.85	6.94
15	13.7	42.4	7.77	42.4	7.95	42.4	8.12	40.74	7.76	39.09	7.41	35.85	6.69	
50%	-14.7	-15	20.84	6.19	20.84	6.33	20.84	6.46	20.05	6.18	19.27	5.89	17.7	5.33
	-12.6	-13	21.18	6.29	21.18	6.45	21.18	6.58	20.43	6.28	19.57	5.99	18.06	5.42
	-10.5	-11	21.68	6.4	21.68	6.55	21.68	6.67	20.84	6.4	20.1	6.09	18.43	5.49
	-9.5	-10	23.78	6.46	23.78	6.58	23.78	6.72	22.88	6.43	21.98	6.14	20.17	5.54
	-8.5	-9.1	24.59	6.51	24.59	6.62	24.59	6.78	23.62	6.48	22.73	6.18	20.88	5.6
	-7	-7.6	24.97	6.58	24.97	6.71	24.97	6.86	24.01	6.57	23.06	6.26	21.16	5.65
	-5	-5.6	25.31	6.67	25.31	6.81	25.31	6.96	24.37	6.64	23.37	6.35	21.49	5.75
	-3	-3.7	27.93	6.76	27.93	6.91	27.93	7.04	26.85	6.74	25.77	6.45	23.63	5.82
	0	-0.7	30.05	6.91	30.05	7.05	30.05	7.21	28.93	6.89	27.72	6.58	25.47	5.94
	3	2.2	32.67	7.05	32.67	7.21	32.67	7.37	31.43	7.04	30.16	6.71	27.66	6.08
	5	4.1	36.04	7.16	36.04	7.32	36.04	7.46	34.67	7.15	33.3	6.81	30.47	6.16
	7	6	35.5	7.26	35.5	7.41	35.5	7.58	34.12	7.23	32.74	6.91	30.05	6.24
	9	7.9	35.5	7	35.5	7.16	35.5	7.32	34.12	7	32.74	6.67	30.05	6.04
	11	9.8	35.5	6.76	35.5	6.91	35.5	7.04	34.12	6.74	32.74	6.45	30.05	5.82

	13	11.8	35.5	6.53	35.5	6.66	35.5	6.81	34.12	6.51	32.74	6.21	30.05	5.61
	15	13.7	35.5	6.28	35.5	6.41	35.5	6.55	34.12	6.26	32.74	5.97	30.05	5.39

Length Correction Coefficient “K3” of Indoor/Outdoor Unit Connecting Tube

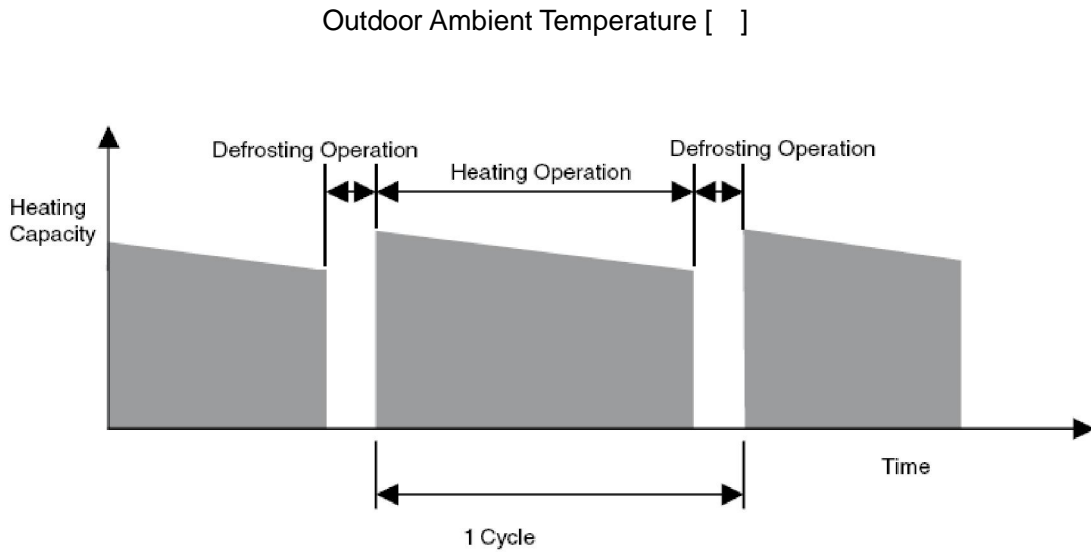


Positive side of high head means installation height of outdoor unit is higher than indoor unit;

Negative side of high head means installation height of outdoor unit is lower than indoor unit;

Coefficient “K3” is the change ratio of basic capacity.

Heating Capacity Correction Coefficient “K4” under Frosting of Outdoor Heat Exchanger



Capacity Correction

In cooling mode: actual cooling capacity = nominal cooling capacity × K3

In heating mode: actual Heating capacity = nominal cooling capacity × K3 × K4

Units selection example

(Selection procedure for cooling and heating are the same)

(1) Given condition

a. temperature condition

Cooling: Indoor 21°C (WB), Outdoor 35°C (DB)

b. Cooling load

	Room A	Room B	Room C	Room D
Load (kW)	2.5	9.5	5.3	6.0

c. Piping equivalent length: 30m

d. Height difference: 10m (Outdoor unit is lower than indoor units)

(2) Indoor unit selection

Select the suitable capacity for condition of 'Indoor 21°C (WB), Outdoor 35°C (DB)' using indoor unit capacity table. Because of the long pipelines and large height difference between indoor and outdoor unit, we consider choosing indoor unit of a larger nominal cooling capacity.

The selected result is as follow:

	Room A	Room B	Room C	Room D
Cooling load (kW)	2.2	9.5	5.3	6.0
Unit specification	25	112	56	71
Capacity (kW)	2.5	11.2	5.6	7.1

(3) Outdoor unit selection

Calculate the total nominal cooling capacity of indoor units in the combination according to the above table: $2.5 \times 3 + 11.2 \times 3 + 5.6 \times 1 + 7.1 \times 1 = 53.8 \text{ kW}$

Select outdoor unit: **ARV-H560/SR1MV**, which has nominal cooling capacity: **56kW**.

The combination ratio between indoor units and outdoor unit: $53.8/56 \times 100\% = 96\%$

Result : Because the ratio is within 50 ~ 130%, we can go to next step.

(4) Outdoor unit capacity correction

a. Assuming the combination of indoor and outdoor units is as follow:

Outdoor unit: **ARV-H400/SR1MV+ ARV-H330/SR1MV**,

Indoor unit: ARVLD-H028/4R1A, 7×ARVMD-H100/4R1A, 2×ARVMD-H056/4R1A,

b. For the 99% combination, calculate the cooling capacity of outdoor unit.

83.77kW 90% (Indoor temperature: WB 21°C, Outdoor temperature: DB 35°C)

87.76kW 100%(Indoor temperature: WB 21°C, Outdoor temperature: DB 35°C)

Then calculate the outdoor capacity in 99% combination index:

Therefore: $83.77 + \{(87.76-83.77)/10\} \times 9 = 84.17$;

c. The capacity modification coefficient with pipe length (30m) and height difference (10m) (Outdoor unit is lower than indoor units):0.88.

Then calculated the outdoor capacity: $84.17 \times 0.88 = 74.07 \text{ kW}$

(5) Indoor unit capacity correction

The individual indoor unit capacity (power input) can be calculated as follows.

$IUC = OUC \times INX / TNX$

IUC: Each indoor unit capacity

OUC: Outdoors unit capacity

INX: Each indoor unit capacity index

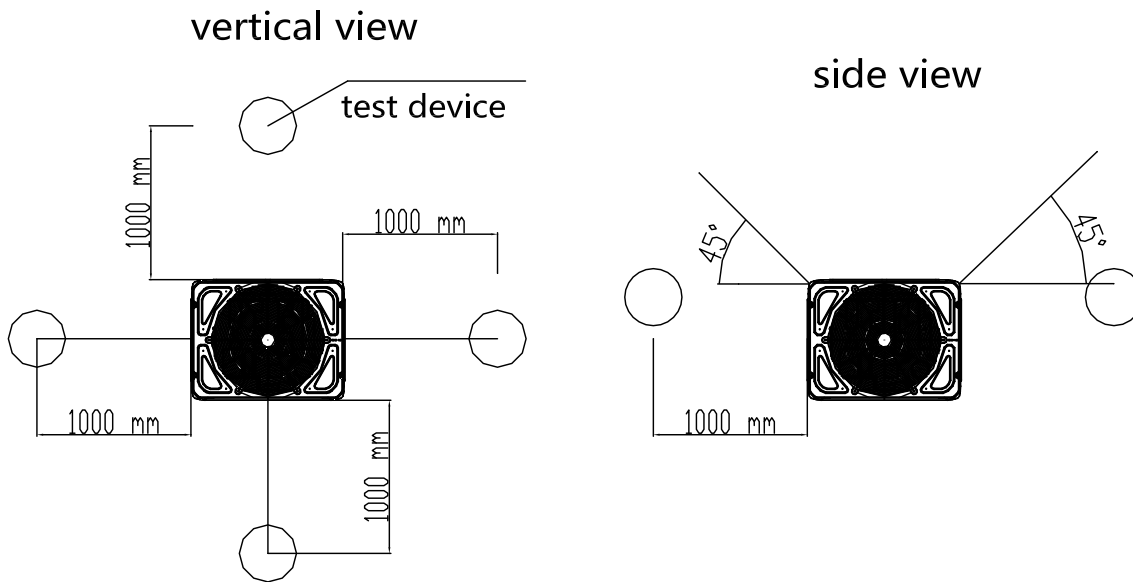
TNX: Total capacity index

ARVLD-H028/4R1A: $74.07 \times 2.2 / 84.1 = 1.94 \text{ kW}$

ARVMD-H100/4R1A: $74.07 \times 10.0 / 84.1 = 8.81 \text{ kW}$

ARVMD-H056/4R1A: $74.07 \times 5.6 / 84.1 = 4.93 \text{ kW}$

8. Sound level



Model	Sound (dB)
ARV-H250/SR1MV	58
ARV-H280/SR1MV	58
ARV-H335/SR1MV	58
ARV-H400/SR1MV	61
ARV-H450/SR1MV	61
ARV-H500/SR1MV	63
ARV-H560/SR1MV	63
ARV-H615/SR1MV	63

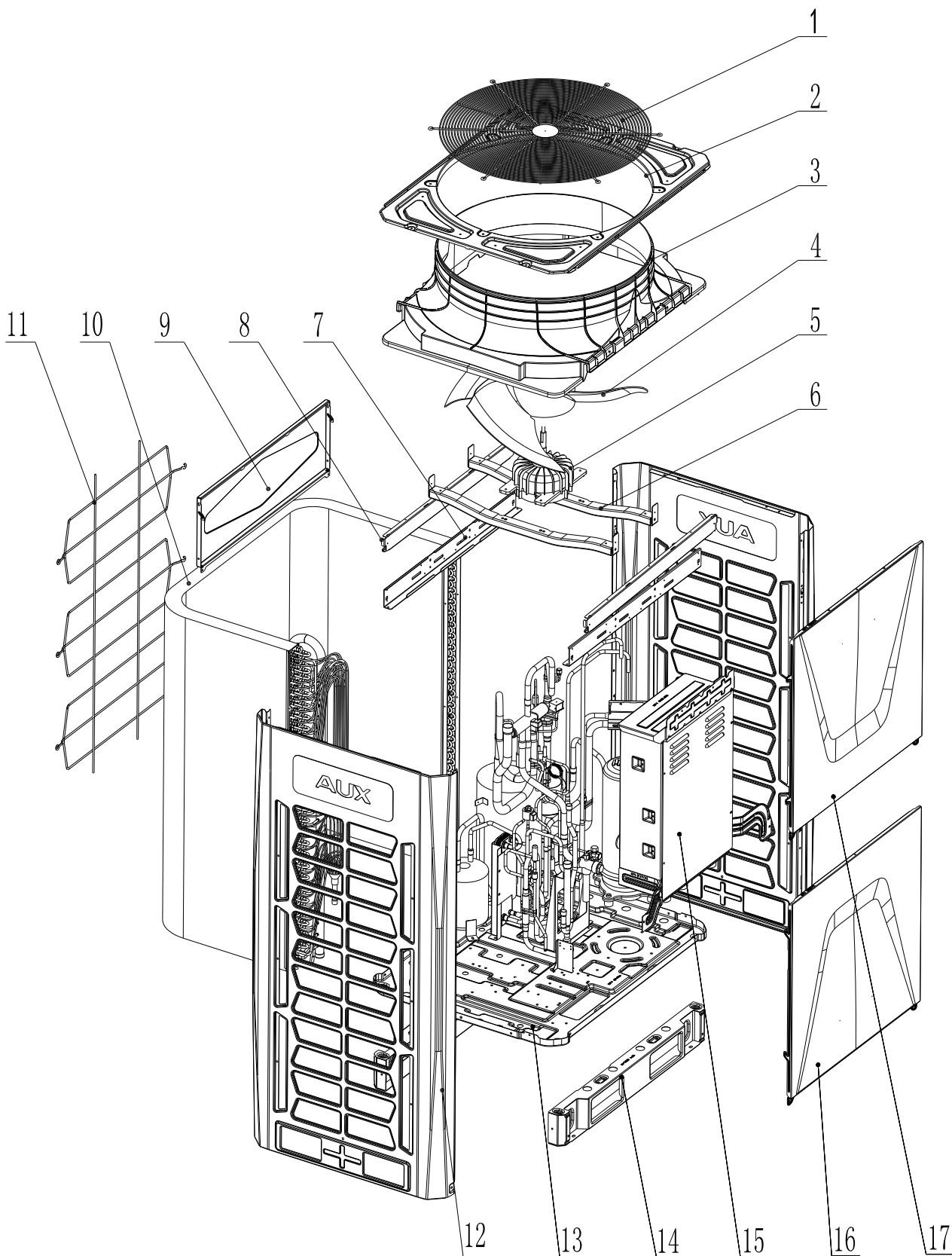
Note:

1. The operating condition are assumed to be standard(JIS Condition).
2. These operating values were obtained in a dead room (conversion values).
Sound level will vary depending on a range of factors such as the construction (acoustic absorption coefficient) of the particular room in which the equipment installed.
3. The result is the biggest one of four testing device.
4. Test height (Unit height +1)/2m, horizontal distance: 1m.

9. Explode View

9.1 ARV-H*/SR1MV (* ~ 250.280.330)

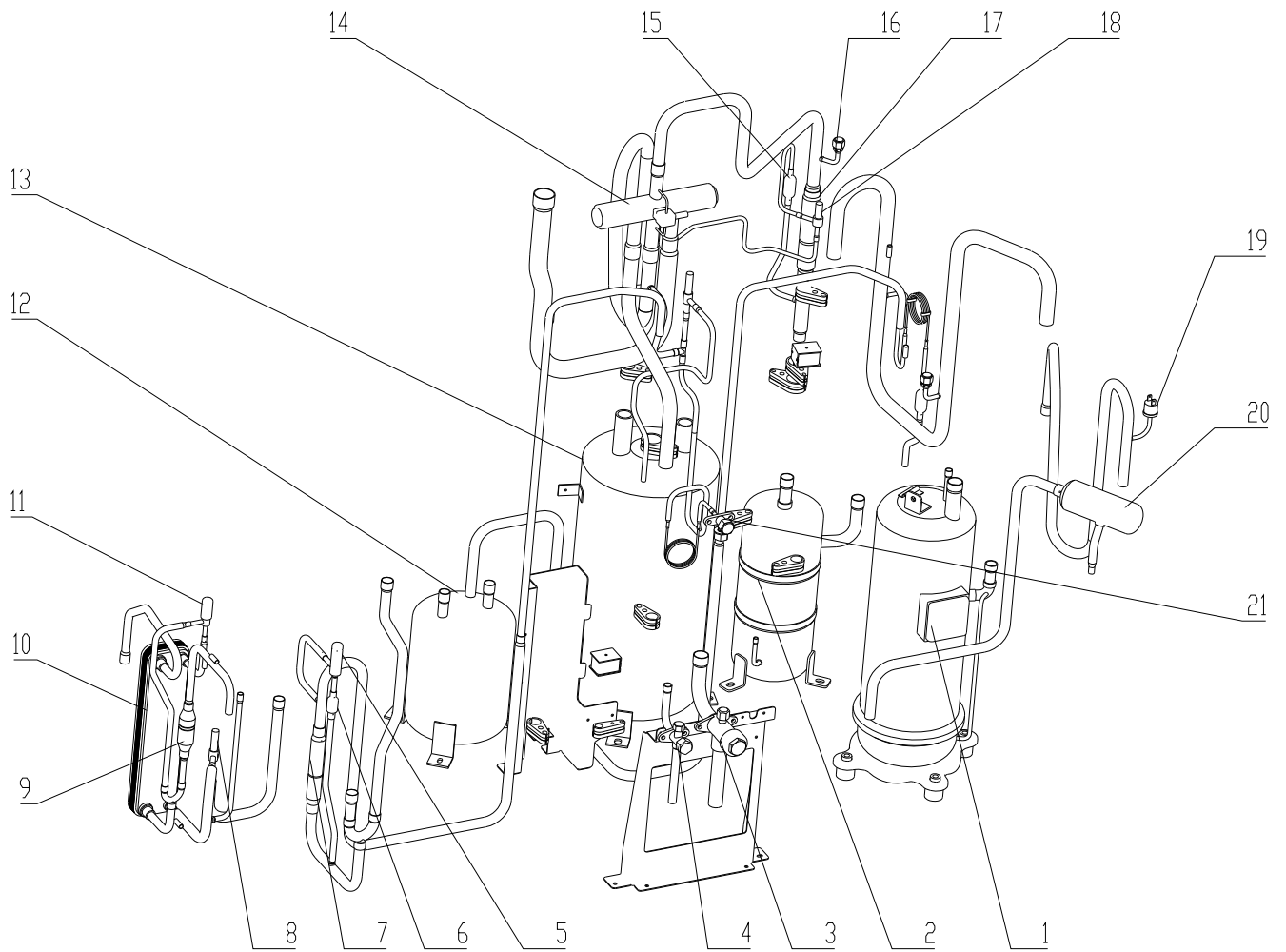
Overall structure



AUX ARV OUTDOOR UNIT – ARV 6 ALL DC INVERTER T1 50&60HZ

N0.	AUX Code	Part Name (Chinese)	Part Name	Quantity	Unit
1	16421036000091	DLR-280W5/DCM-ARV5(新外观)网罩	Fan blade cover	1	
2	16421010000079	DLR-280W5/DCM-ARVX7 顶盖板(喷涂)	Top cover plate (spray)	1	
3	16420004000010	DLR-280W5/DCM-ARVX7 导风圈(耐候 PP)	Guide ring	1	
4	16444008000017	轴流风叶 700 x206.6	Axial fan blade	1	
5	16430001000478	室外电机 DMSB-750W-8P	Fan motor	1	
6	16321002000171	DLR-615W5/DCM-ARVX7 电机支架组件(喷涂)	Motor bracket assembly (spray)	2	
7	16421022000472	DLR-280W5/DCM-ARVX7 电机横梁(喷涂)	Motor beam (spray)	2	
8	16421022000472	DLR-280W5/DCM-ARVX7 上横梁	Upper beam (spraying)	2	
9	16421004000387	DLR-615W5/DCM-ARVX7 后上面板(喷涂)	Rear panel (spray)	1	
10	16324020000004	DLR-280W5/DCM-ARVX7 冷凝器总成(2排7宽)1.5 蓝	Condenser assembly	1	
11	16421036000137	DLR-280W5/DCM-ARVX7 后网罩(喷涂)	Rear net cover	1	
12	16421001000761	DLR-615W5/DCM-ARVX7 侧板(喷涂)	Side panel (spray)	2	
13	16321018000002	顶出风 X7 底盘组件(M6*51)10P(喷涂)	Chassis assembly	1	
14	16421022000470	DLR-280W5/DCM-ARVX7 底座横梁组件(喷涂)	Base beam assembly (spray)	2	
15	16322001000126	DLR-335W5/DCM-ARVX7 电气总成	Electrical assembly	2	
16	16421004000386	DLR-280W5/DCM-ARVX7 前下面板(喷涂)	Front panel (spray)	1	
17	16421004000387	DLR-280W5/DCM-ARVX7 前上面板(喷涂)	Front lower panel (sprayed)	1	
18					
19					

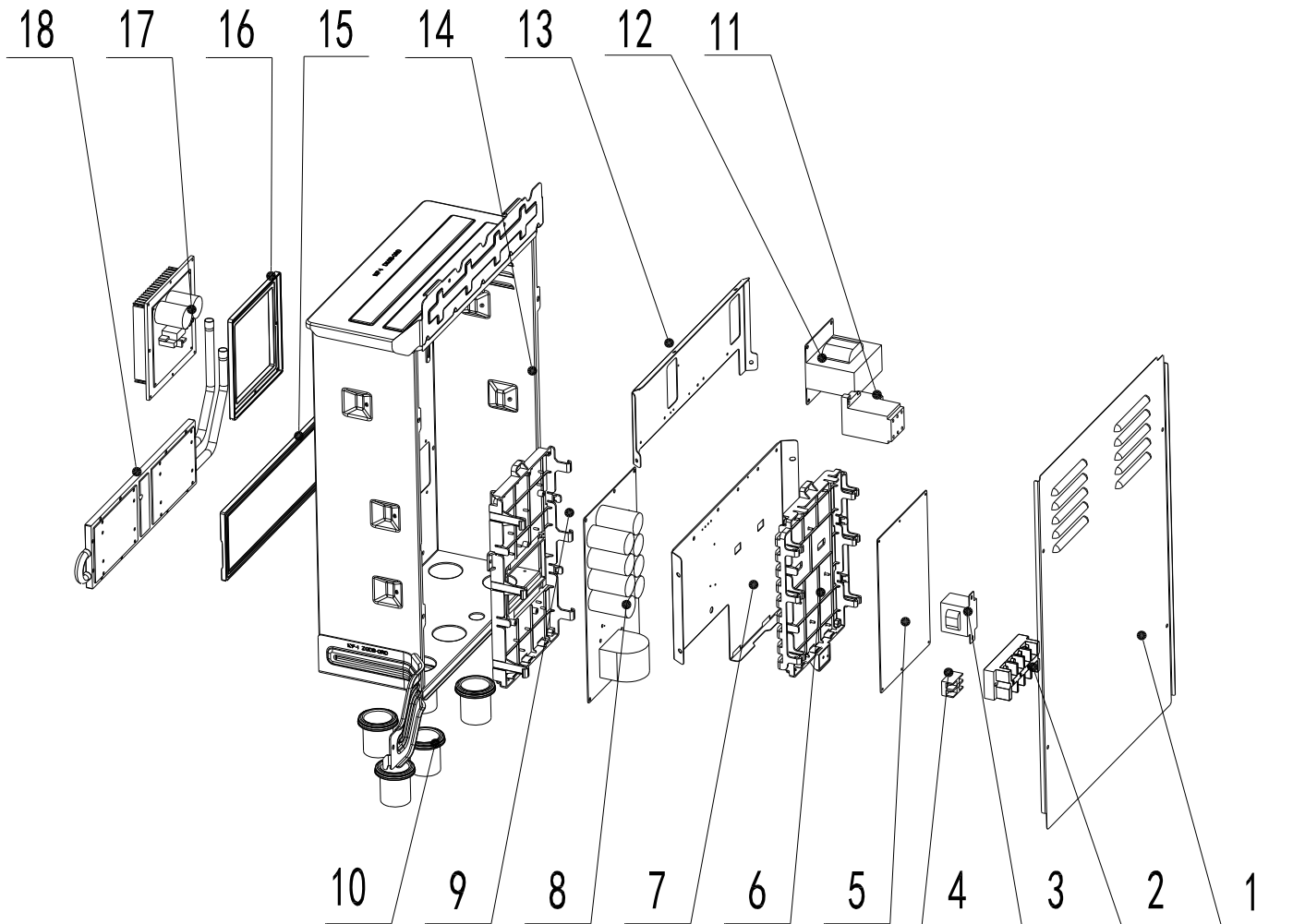
9.1.2 Piping



AUX ARV OUTDOOR UNIT – ARV 6 ALL DC INVERTER T1 50&60HZ

N0.	AUX Code	Part Name (Chinese)	Part Name	Quantity	Unit
1	16438001000151	压缩机 AA55PHDG-D1Y2(日立)	Compressor	1	
2	16442021000043	油分离器 127*300(R410a)	Oil separator	1	
3	16441004000062	(ROHS)截止阀组件 7/8in(双焊接)	stop valve 7/8in	2	
4	16441004000061	(ROHS)截止阀组件 1/2in(双焊接)	stop valve 1/2in	1	
5	16441014000026	(ROHS)电子膨胀阀阀体 UKV-32D61	EXV	1	
6	16442001000026	过滤器 8 × 9.52-50	Filter	1	
7	16441003000034	单向阀 16.0 ×16.0-160	Globe valve 1/4in	1	
8	16441012000002	电磁阀阀体 FDF6A	Solenoid valve body	1	
9	16442001000019	过滤器 12.7 × 12.7-100	Four-way valve body	1	
10	16439003000016	板式换热器 D22L-16-2*1/2in+2*3/8in	Plate heat exchanger	1	
11	16441014000012	电子膨胀阀阀体 CAM-BD18FKS-1	EXV	1	
12	16442020000020	储液器 4L(双向)	storage	1	
13	16442023000039	气液分离器 QFQ-15L(22)(立)	Gas-liquid separator	1	
14	16441008000001	四通换向阀阀体 SHF-H35672-003	4-WAY VALVE	1	
15	16442001000005	过滤器 6 × 8-66	Filter	2	
16	16441001000004	针阀 1/4in(弯管)(R410a)	Needle valve 1 / 4in	2	
17	16441003000038	单向阀 22.2 ×24.6-160	One way valve	1	
18	16441012000001	电磁阀阀体 FDF2A	Solenoid valve body	1	
19	16442024000006	高压开关 H2OPS D 4.2/3.3(弯管)	High pressure switch	1	
20	16442022000014	消音器 16/9.52-50.8 ×155(L型)	Silencer	1	
21	16441004000042	(ROHS)截止阀 1/4in(直管)(R410a)	Check valve	1	
22					
23					
24					

9.1.3 Electrical box

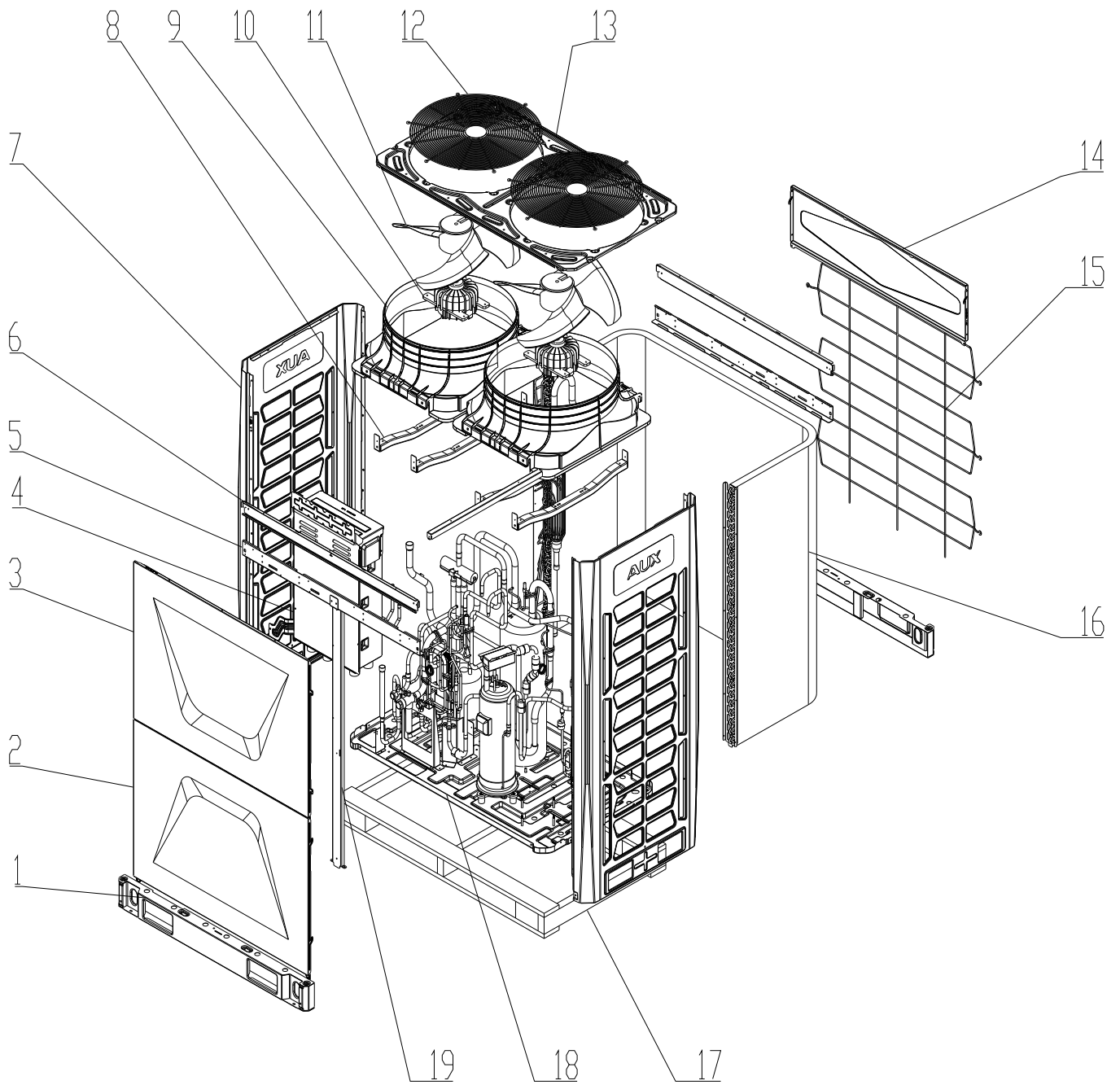


AUX ARV OUTDOOR UNIT – ARV 6 ALL DC INVERTER T1 50&60HZ

N0.	AUX Code	Part Name (Chinese)	Part Name	Quantity	Unit
1	16421042000001	DLR-615W5/DCM-ARVX7 电控盒盖	Master mounting plate	1	
2	16427001000080	端子板 4位(600V 35mm ²)	Terminal board	1	
3	16422005000008	(ROHS)变压器 TDB-16-B2B	Transformer	1	
4	16427001000079	端子板 2位(600V 4mm ²)AB	Terminal board	1	
5	11222542000088	CJ 控制板 DLW-BP-3F5(X7)-E2(SY)	PCB	1	
6	16420025000001	主控安装板 270*172(ABS+PC)	Module board	1	
7	16421002000474	DLR-615W5/DCM-ARVX7 电控上层固定板	Electric control upper fixed plate	1	
8	16422013000011	模块板 QD-1205-1F(750W)-1(HT)	Drive modular plate	1	
9	16420025000002	驱动安装板 325*180(ABS+PC)	Drive modular installation plate	1	
10	16427020000016	过线胶圈 43*60(阻燃型)	Through apron	5	
11	16430009000061	交流接触器 GC3-18/01 KKG	AC contactor	1	
12	16430013000008	电抗器 DK-2mH-40A	Reactor	1	
13	16421002000473	DLR-615W5/DCM-ARVX7 电抗固定板	Reactor fix plate	1	
14	16321002000173	DLR-615W5/DCM-ARVX7 电控盒组件	Terminal board	1	
15	16432016000059	橡胶密封垫 176*170*2.5	Rubber gasket	1	
16	16432016000058	橡胶密封垫 374*120*3	Rubber gasket		
17	11222030000019	散热器模块组件 QD-3330(日立 AA55)-C1(SY)	Radiator module assembly		
18	16422018000003	散热器组件(2-110*50)	Radiator module assembly		

9.2 ARV-H*/SR1MV (* ~ 400.450)

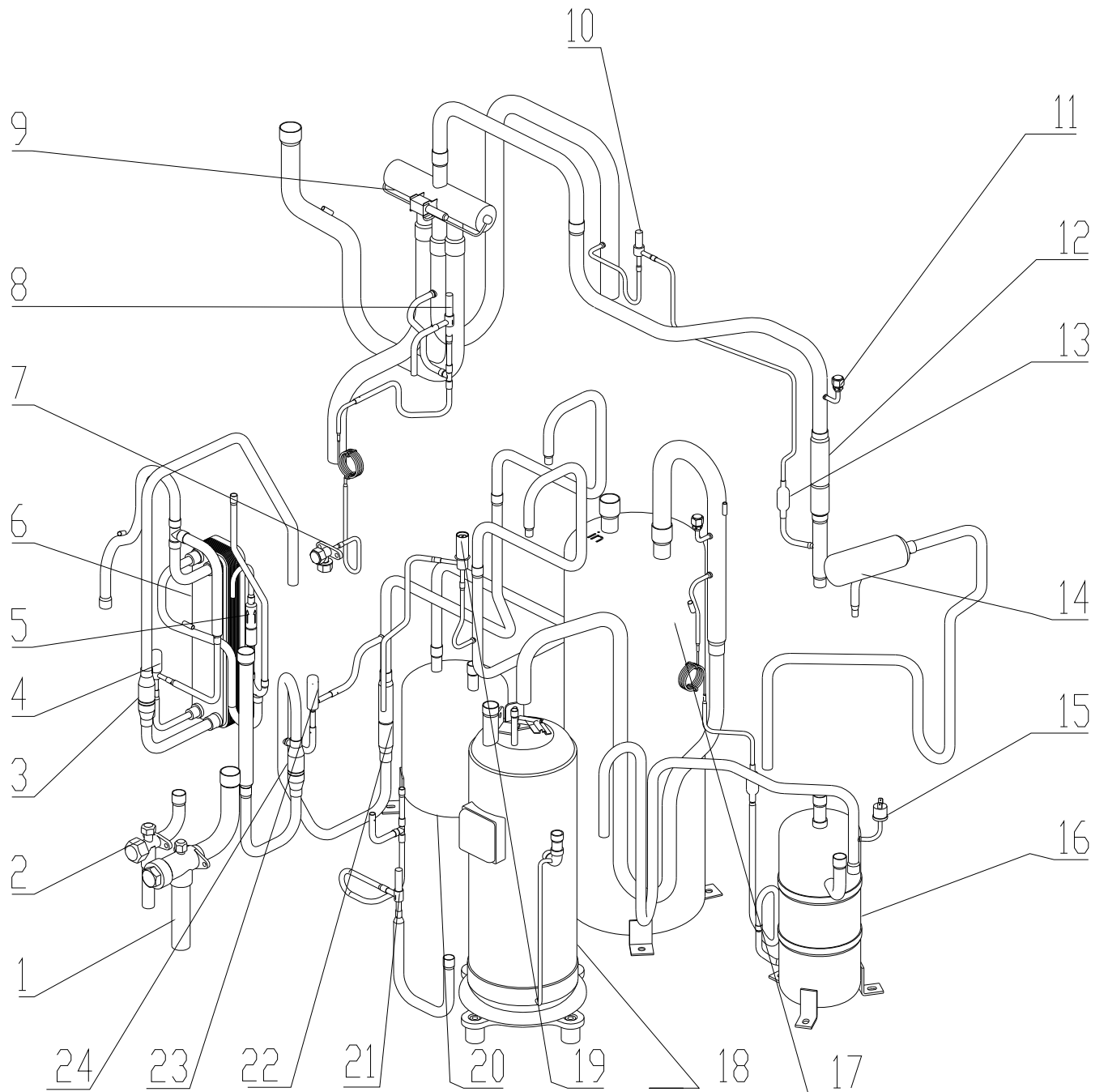
9.2.1 Overall structure



AUX ARV OUTDOOR UNIT – ARV 6 ALL DC INVERTER T1 50&60HZ

N0.	AUX Code	Part Name (Chinese)	Part Name	Quantity	Unit
1	16321002000172	DLR-615W5/DCM-ARVX7 底座横梁组件(喷涂)	Base beam assembly (spray)	1	
2	16421004000382	DLR-615W5/DCM-ARVX7 前上面板(喷涂)	Front panel (spray)	1	
3	16421004000383	DLR-615W5/DCM-ARVX7 前下面板(喷涂)	Front lower panel (sprayed)	1	
4	16322001000127	DLR-450W5/DCM-ARVX7 电气总成	Electrical assembly	1	
5	16421022000468	DLR-615W5/DCM-ARVX7 电机横梁(喷涂)	Motor beam (spray)	2	
6	16421022000467	DLR-615W5/DCM-ARVX7 上横梁(喷涂)	Upper beam (spraying)	2	
7	16421001000761	DLR-615W5/DCM-ARVX7 侧板(喷涂)	Side panel (spray)	2	
8	16321002000171	DLR-615W5/DCM-ARVX7 电机支架组件(喷涂)	Motor bracket assembly (spray)	4	
9	16420004000009	DLR-615W5/DCM-ARVX7 导风圈(耐候PP)	Air guide ring	2	
10	16430001000479	室外电机 DMSB-450W-8P	Motor	2	
11	16444008000042	轴流风叶 600x178	Axial blades	2	
12	16421036000084	DLR-560W5/DCM-ARV3 风叶网罩	Leaf net cover	2	
13	16421010000078	DLR-615W5/DCM-ARVX7 顶盖板(喷涂)	Top cover (spray)	1	
14	16421004000384	DLR-615W5/DCM-ARVX7 后上面板(喷涂)	Rear panel (spray)	1	
15	16421036000136	DLR-615W5/DCM-ARVX7 后网罩(喷涂)	Rear net cover	1	
16	16324020000002	DLR-450W5/DCM-ARVX7 冷凝器总成(2排7宽)1.5 蓝	Condenser assembly	1	
17	16433002000135	包装木底架 DLR-450W5/DCM3	Wooden frame for packing	1	
18	16321018000001	顶出风 X7 底盘组件(M6*51)16P(喷涂)	Chassis assembly	1	
19	16421031000219	DLR-615W5/DCM-ARVX7 中立柱	Center column	1	

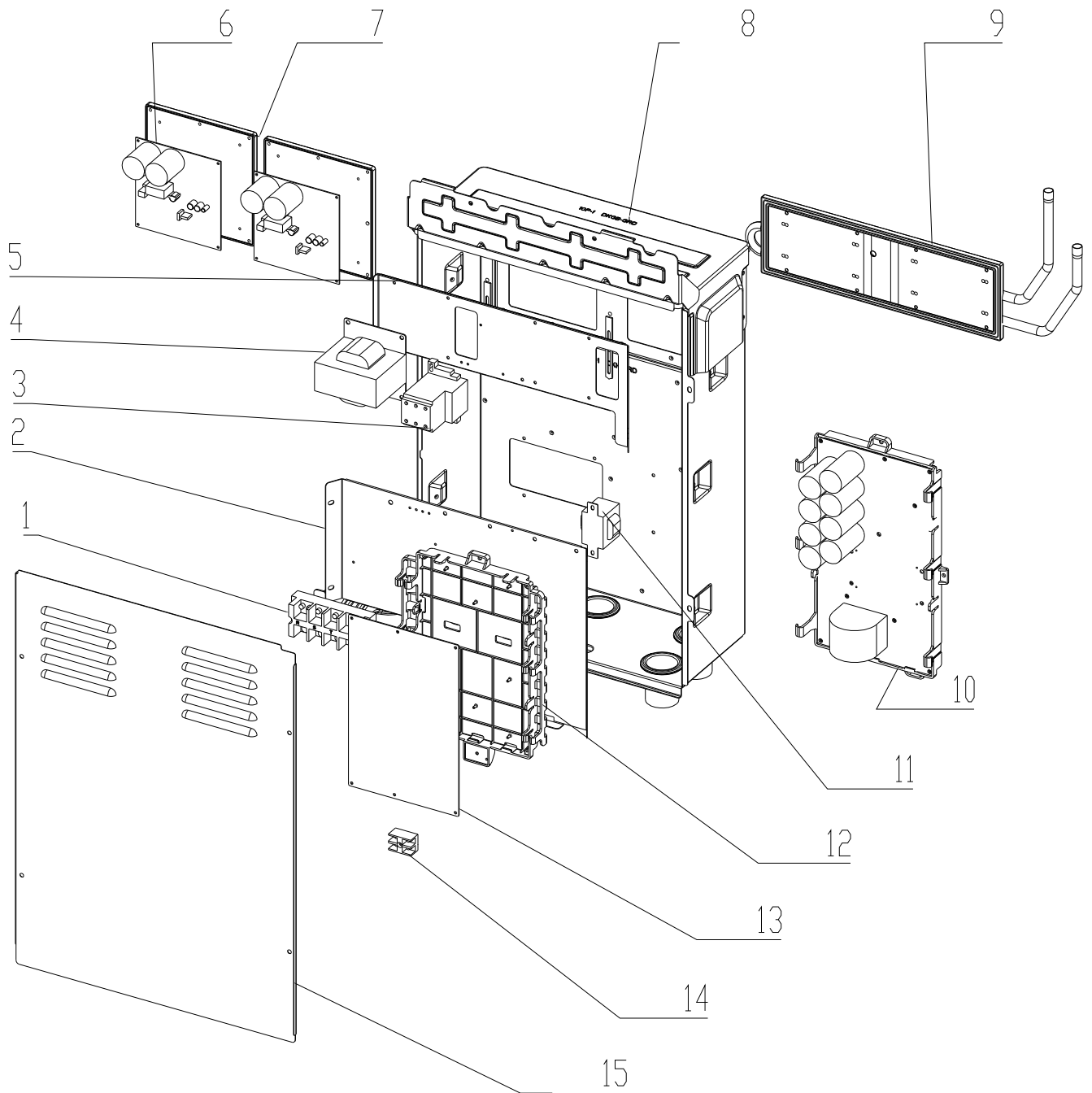
9.2.2 Piping



AUX ARV OUTDOOR UNIT – ARV 6 ALL DC INVERTER T1 50&60HZ

N0.	AUX Code	Part Name (Chinese)	Part Name	Quantity	Unit
1	16441004000063	(ROHS)截止阀组件 9/8in(双焊接)	Stop valve assembly	1	
2	16441004000082	截止阀 3/4in(R410a) 双焊接	Globe valve 3/4in	1	
3	16442001000029	过滤器 16 × 16-100	Filter	2	
4	16441014000013	电子膨胀阀阀体 CAM-BD22FKS-1	Valve body of electronic expansion valve	1	
5	16441003000019	单向阀 9.52 ×9.52-100	Check valve	1	
6	16439003000015	板式换热器 D22L-30-2*1/2in+3/8in+5/8in	Plate heat exchanger	1	
7	16441004000042	(ROHS)截止阀 1/4in(直管)(R410a)	Globe valve 1/4in	1	
8	16441012000002	电磁阀阀体 FDF6A	Electronic valve body	1	
9	16441008000030	四通换向阀阀体 SHF-H35792-007	Four-way valve body	1	
10	16441012000001	电磁阀阀体 FDF2A	Solenoid valve body	1	
11	16441001000004	针阀 1/4in(弯管)(R410a)	Needle valve 1 / 4in	2	
12	16441003000038	单向阀 22.2 ×24.6-160	One way valve	1	
13	16442001000005	过滤器 6 × 8-66	Filter	2	
14	16442022000014	消音器 16/9.52-50.8 ×155(L 型)	Silencer	1	
15	16442024000006	高压开关 H2OPS D 4.2/3.3(弯管)	High pressure switch	1	
16	16442021000043	油分离器 127*300(R410a)	Oil separator	1	
17	16442023000014	气液分离器 QFQ-23L(28.7)(立)	Gas-liquid separator	1	
18	16438001000152	压缩机 DC80PHDG-D1Y2(日立)	Compressor	1	
19	16441006000001	卸荷阀 6.35 ×6.35(4.0)Mpa	Unloading valve	1	
20	16442020000020	储液器 4L(双向)	Reservoir	1	
21	16441012000002	电磁阀阀体 FDF6A	Solenoid valve body	1	
22	16441003000034	单向阀 16.0 ×16.0-160	One way valve	1	
23	16441014000037	(ROHS)电子膨胀阀阀体 华鹭 UKV4.0D(R410a)	Electronic expansion valve body	1	
24	16442001000029	过滤器 16 × 16-100	Filter	1	

9.2.3 Electrical box

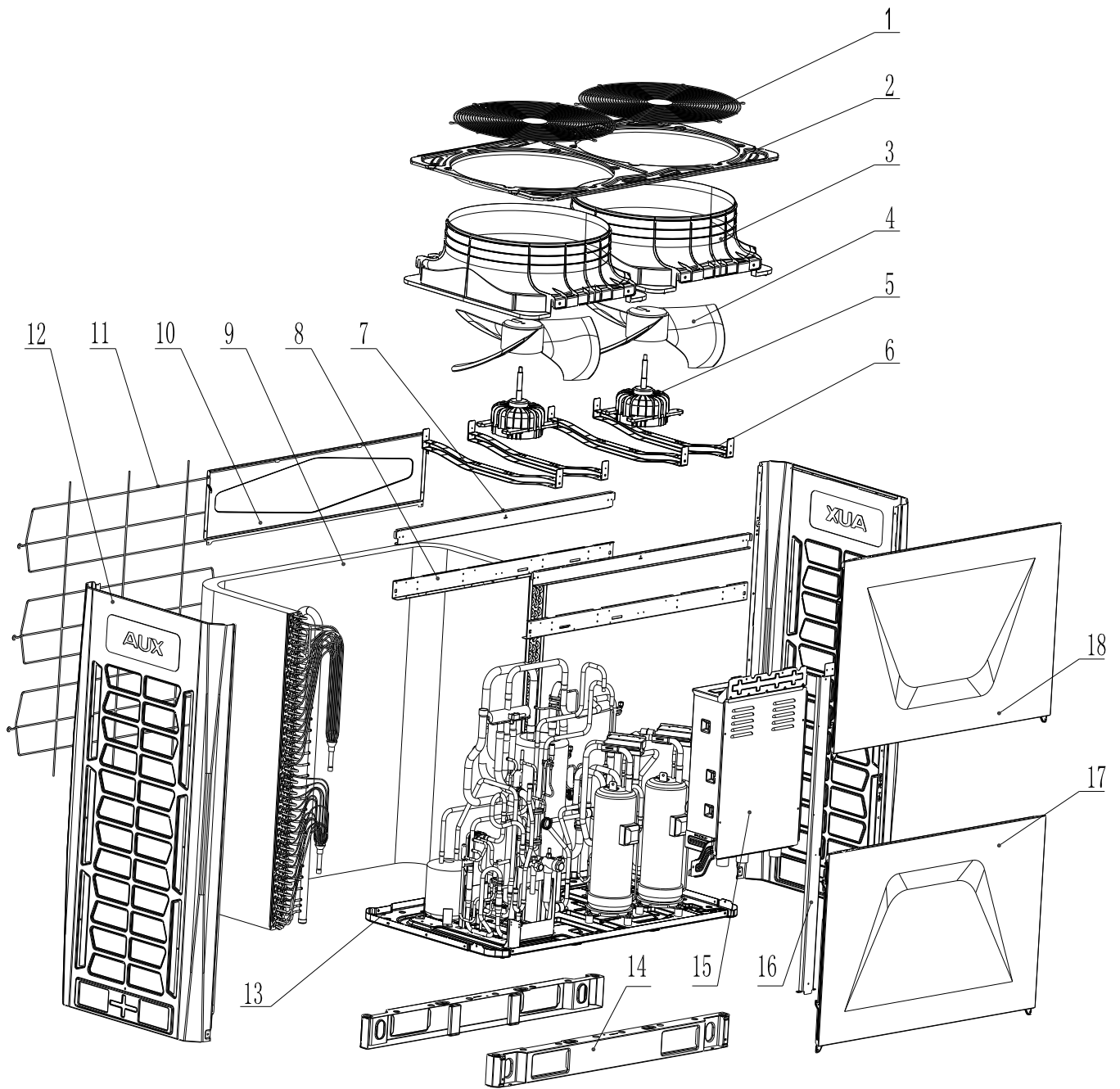


AUX ARV OUTDOOR UNIT – ARV 6 ALL DC INVERTER T1 50&60HZ

N0.	AUX Code	Part Name (Chinese)	Part Name	Quantity	Unit
1	16427001000080	端子板 4位(600V 35mm ²)	Terminal board	1	
2	16421002000474	DLR-615W5/DCM-ARVX7 电控上层固定板	Electric control upper fixed plate	1	
3	16430009000061	交流接触器 GC3-18/01 KKG	AC contactor	1	
4	16430013000008	电抗器 DK-2mH-40A	Reactor	1	
5	16421002000473	DLR-615W5/DCM-ARVX7 电抗固定板	Reactance plate	1	
6	16422013000011	模块板 QD-1205-1F(750W)-1(HT)	Module board	2	
7	16432016000059	橡胶密封垫 176*170*2.5	Rubber gasket	2	
8	16321002000174	DLR-450W5/DCM-ARVX7 电控盒组件	Electrical control box assembly	1	
9	16422018000003	散热器组件(2-110*50)	Radiator assembly	1	
10	11222030000018	散热器模块组件 QD-3335(日立 DC80)-C1(SY)	Radiator module assembly	1	
11	16422005000008	(ROHS)变压器 TDB-16-B2B	Transformer	1	
12	16420025000001	主控安装板 270*172(ABS+PC)	Master mounting plate	1	
13	11222542000088	CJ 控制板 DLW-BP-3F5(X7)-E2(SY)	CJ control panel	1	
14	16427001000079	端子板 2位(600V 4mm ²)AB	Terminal board	1	
15	16421042000001	DLR-615W5/DCM-ARVX7 电控盒盖	Cover of electric control box	1	

9.3 ARV-H*/SR1MV (* ~ 500.560.610)

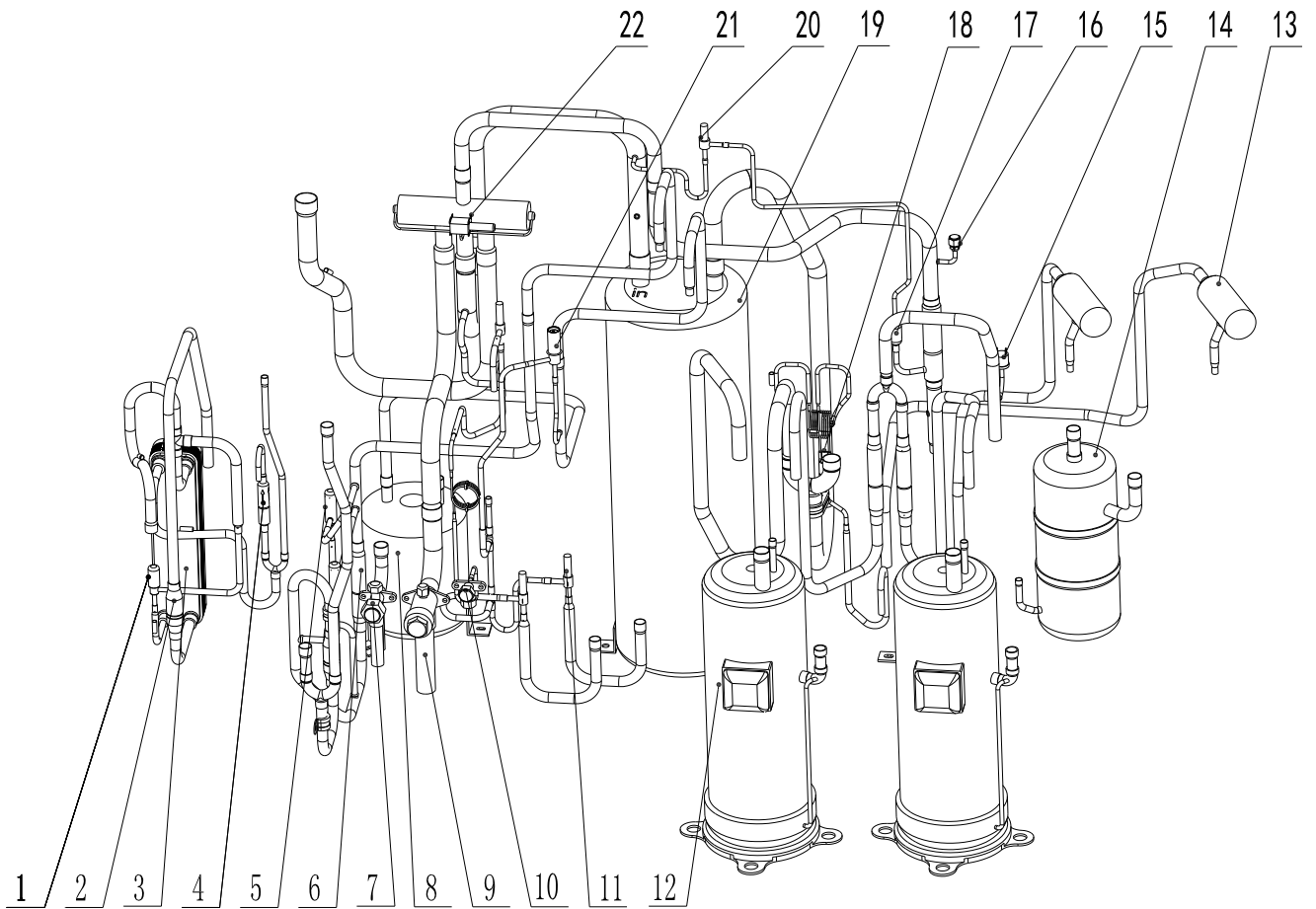
9.3.1 Overall structure



AUX ARV OUTDOOR UNIT – ARV 6 ALL DC INVERTER T1 50&60HZ

N0.	AUX Code	Part Name (Chinese)	Part Name	Quantity	Unit
1	16421036000084	DLR-560W5/DCM-ARV3 风叶网罩	Fan blade cover	2	
2	16421010000078	DLR-615W5/DCM-ARVX7 顶盖板(喷涂)	Top cover plate (spray)	1	
3	16420004000009	DLR-615W5/DCM-ARVX7 导风圈(耐候 PP)	Guide ring	2	
4	16444008000042	轴流风叶 600 x178	Axial fan blade	2	
5	16430001000479	室外电机 DMSB-450W-8P	Fan motor	4	
6	16321002000171	DLR-615W5/DCM-ARVX7 电机支架组件(喷涂)	Motor bracket assembly (spray)	2	
7	16421022000467	DLR-615W5/DCM-ARVX7 上横梁(喷涂)	Upper beam(spray)	2	
8	16421022000468	DLR-615W5/DCM-ARVX7 电机横梁(喷涂)	Motor beam (spray)	1	
9	16324020000001	DLR-615W5/DCM-ARVX7 冷凝器总成(3排 7 宽)1.5 蓝	Condenser assembly	1	
10	16421004000384	DLR-615W5/DCM-ARVX7 后上面板(喷涂)	Rear panel (spray)	1	
11	16421036000136	DLR-615W5/DCM-ARVX7 后网罩(喷涂)	Rear net cover	1	
12	16421001000761	DLR-615W5/DCM-ARVX7 侧板(喷涂)	Side panel (spray)	2	
13	16321018000001	顶出风 X7 底盘组件(M6*51)16P(喷涂)	Chassis assembly	1	
14	16321002000172	DLR-615W5/DCM-ARVX7 底座横梁组件(喷涂)	Base beam assembly (spray)	2	
15	16322001000128	DLR-615W5/DCM-ARVX7 电气总成	Electrical assembly	2	
16	16421031000219	DLR-615W5/DCM-ARVX7 中立柱	Front panel (spray)	1	
17	16421004000383	DLR-615W5/DCM-ARVX7 前下面板(喷涂)	Front lower panel (sprayed)	1	
18	16421004000382	DLR-615W5/DCM-ARVX7 前上面板(喷涂)	front panel (spray)	1	
19					

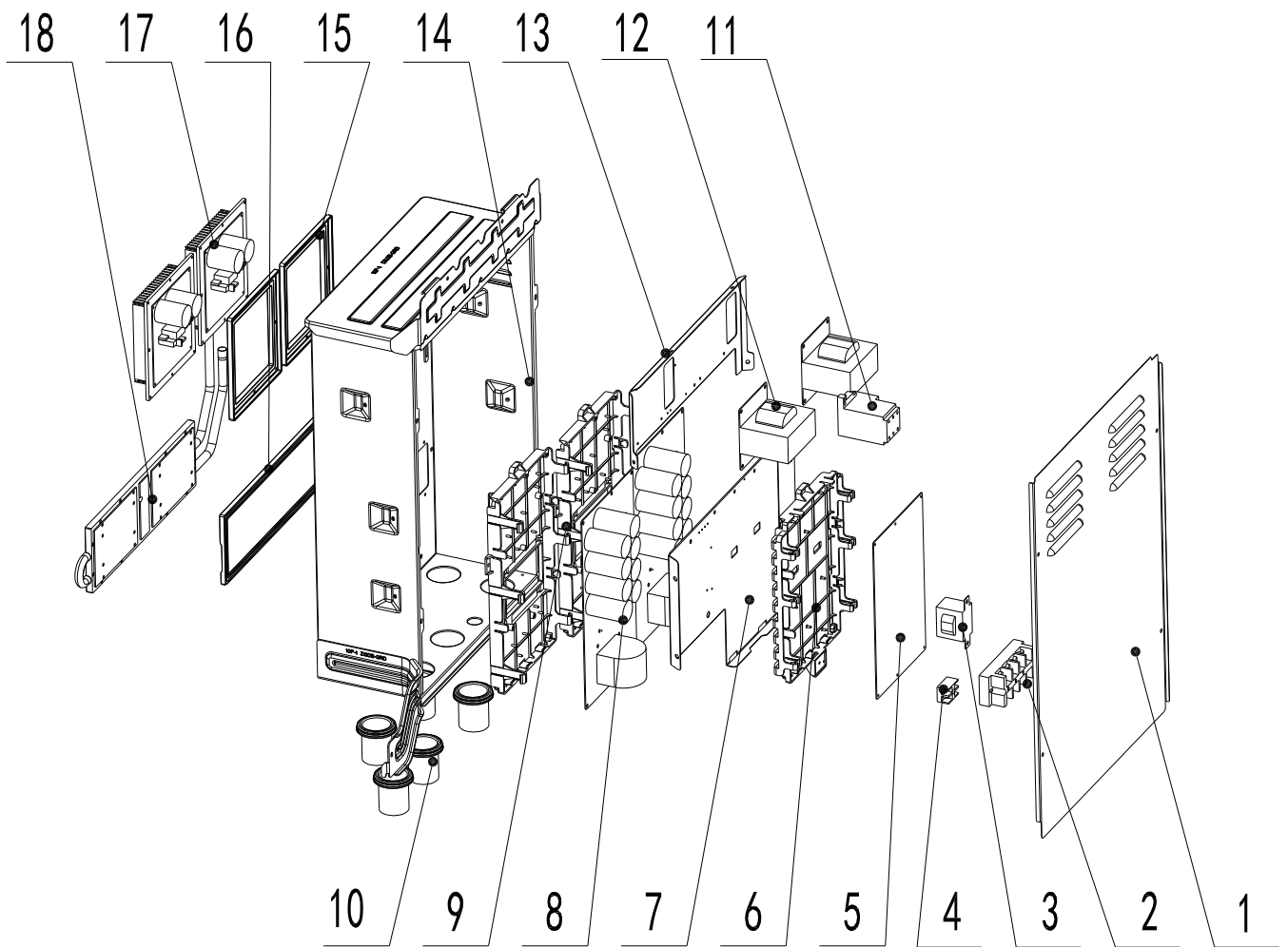
9.3.2 Piping



AUX ARV OUTDOOR UNIT – ARV 6 ALL DC INVERTER T1 50&60HZ

N0.	AUX Code	Part Name (Chinese)	Part Name	Quantity	Unit
1	16441014000013	电子膨胀阀阀体 CAM-BD22FKS-1	Valve body of electronic expansion valve	1	
2	16442001000029	过滤器 16× 16-100	Filter	1	
3	16439003000015	板式换热器 D22L-30-2*1/2in+3/8in+5/8in	Plate heat exchanger	1	
4	16441003000019	单向阀 9.52×9.52-100	One way valve	1	
5	16441014000026	(ROHS)电子膨胀阀阀体 UKV-32D61	Valve body of electronic expansion valve	2	
6	16441003000034	单向阀 16.0×16.0-160	One way valve	3	
7	16441004000082	截止阀 3/4in(R410a) 双焊接	Globe valve 3/4in	1	
8	16442020000020	储液器 4L(双向)	Electronic valve body	1	
9	16441004000063	(ROHS)截止阀组件 9/8in(双焊接)	Globe valve 9/8in	1	
10	16441004000042	(ROHS)截止阀 1/4in(直管)(R410a)	Globe valve 1/4in	1	
11	16441012000002	电磁阀阀体 FDF6A	Solenoid valve body	3	
12	16438001000151	压缩机 AA55PHDG-D1Y2(日立)	Compressor	2	
13	16442022000014	消音器 16/9.52-50.8×155(L型)	Silencer	2	
14	16442021000043	油分离器 127*300(R410a)	Oil separator	1	
15	16442024000006	高压开关 H2OPS D 4.2/3.3(弯管)	High pressure switch	1	
16	16441001000004	针阀 1/4in(弯管)(R410a)	Needle valve 1 / 4in	2	
17	16442001000005	过滤器 6× 8-66	Filter	1	
18	16325002000653	DLR-160W/DCZ6过滤器组件(6× 2.6× 2.6)	Filter	1	
19	16442023000014	气液分离器 QFQ-23L(28.7)(立)	Gas-liquid separator	1	
20	16441012000001	电磁阀阀体 FDF2A	Reservoir	1	
21	16441006000001	卸荷阀 6.35×6.35(4.0)Mpa	Unloading valve	1	
22	16441008000030	四通换向阀阀体 SHF-H35792-007	Four-way valve body	1	
23					
24					

9.3.3 Electrical box



AUX ARV OUTDOOR UNIT – ARV 6 ALL DC INVERTER T1 50&60HZ

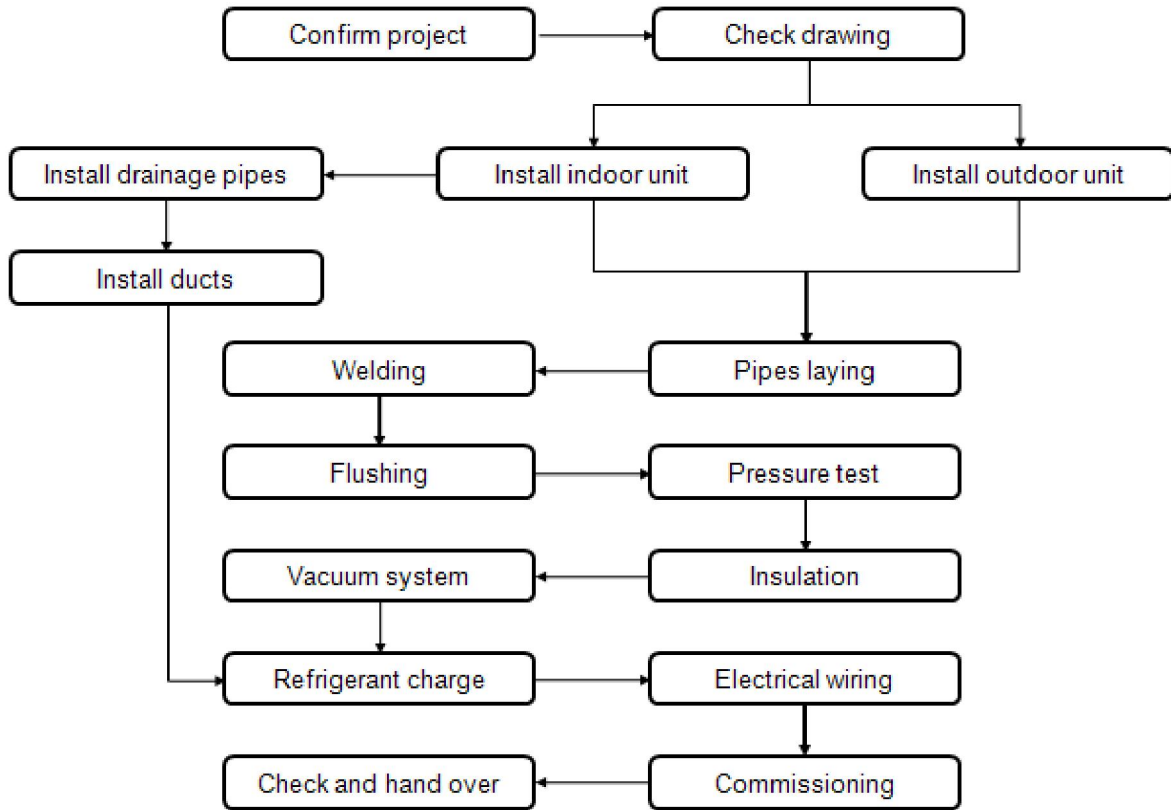
N0.	AUX Code	Part Name (Chinese)	Part Name	Quantity	Unit
1	16421042000001	DLR-615W5/DCM-ARVX7 电控盒盖	board Electrical control box assembly	1	
2	16427001000080	端子板 4位(600V 35mm ²)	Terminal board	1	
3	16422005000008	(ROHS)变压器 TDB-16-B2B	Transformer	1	
4	16427001000079	端子板 2位(600V 4mm ²)AB	Terminal board	1	
5	11222542000088	CJ 控制板 DLW-BP-3F5(X7)-E2(SY)	PCB	1	
6	16420025000001	主控安装板 270*172(ABS+PC)	Master mounting plate	1	
7	16421002000474	DLR-615W5/DCM-ARVX7 电控上层固定板	Electric control upper fixed plate	1	
8	16422013000011	模块板 QD-1205-1F(750W)-1(HT)	Module board	2	
9	16420025000002	驱动安装板 325*180(ABS+PC)	Module board installation	2	
10	16427020000016	过线胶圈 43*60(阻燃型)	Through apron	5	
11	16430009000061	交流接触器 GC3-18/01 KKG	AC contactor	1	
12	16430013000008	电抗器 DK-2mH-40A	Reactor	2	
13	16421002000473	DLR-615W5/DCM-ARVX7 电抗固定板	CJ control panel	1	
14	16321002000170	DLR-615W5/DCM-ARVX7 电控盒组件	Cover of electric control box	1	
15	16432016000059	橡胶密封垫 176*170*2.5	Rubber gasket	2	
16	16432016000058	橡胶密封垫 374*120*3	Rubber gasket	1	
17	11222030000019	散热器模块组件 QD-3330(日立 AA55)-C1(SY)	Radiator module assembly	2	
18	16422018000003	散热器组件(2-110*50)	Radiator module assembly	1	

Part3 Installation

1. Preface of installation	121
2. Installation of Outdoor Unit.....	122
3. Installation of refrigerant pipe	125
4. Additional refrigerant	141
5. Insulation.....	142
6. Electrical connection	143

1. Preface of installation

The installation procedure is shown below.



⚠ Caution

- 2 The proper design and installation is a critical element of ARV system, installation of piping and electrical works must be carried out by suitably qualified, certified professionals and in accordance with all applicable legislation.
- 2 In this Engineering Data Book, the term “applicable legislation” refers to all national, local and other laws, standard, codes, rules, regulations and other legislation that apply in a given situation.

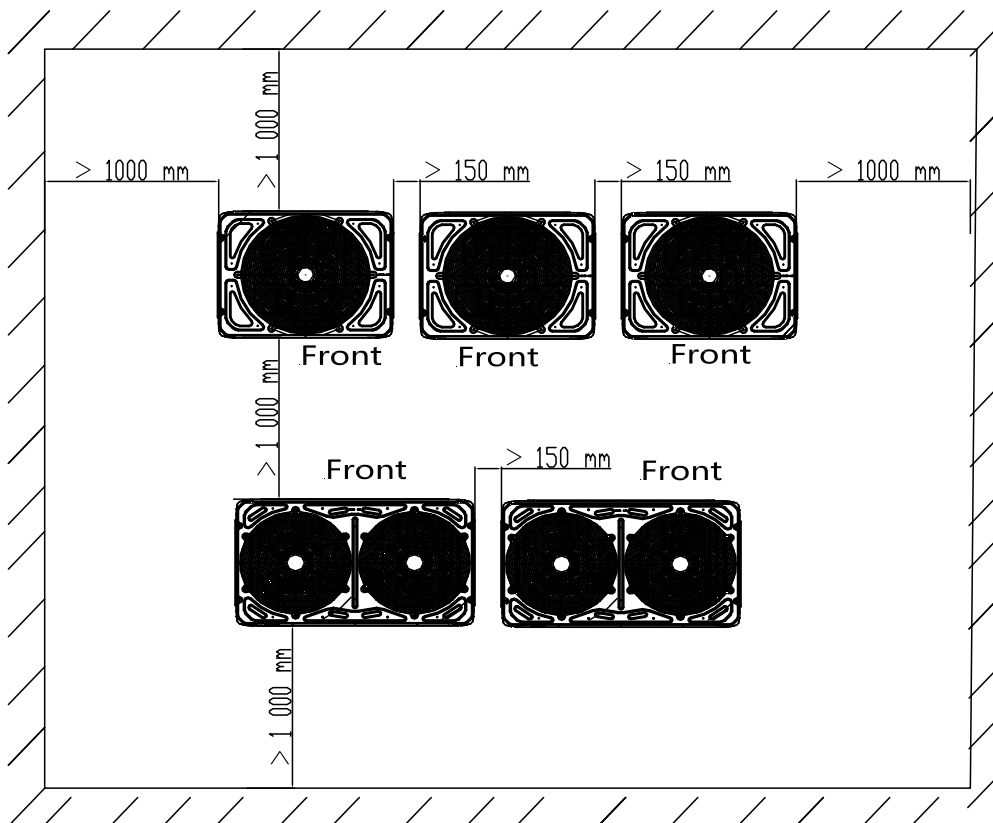
2. Installation of Outdoor Unit

2.1 Installation Location and Foundation

- 2 Ensure that the outdoor unit is installed in a dry, well-ventilated place.
- 2 Ensure that the noise and exhaust ventilation of the outdoor unit do not affect the neighbors of the property owner or any surrounding ventilation.
- 2 Ensure that the outdoor unit is installed in a cool place without direct sunlight exposure or direct radiation of a high-temp heat source.
- 2 The outdoor unit should be installed as close as possible to the indoor unit.
- 2 The installation location must be able to drain rainwater and water formed by frost;
- 2 The installation location must be able to ensure A/C system can't be buried by snow;
- 2 The installation location must be free from waste and oil mist.
- 2 The foundation should be strong enough to support the outdoor unit.

2.2 Maintenance and Ventilation Space for Outdoor Unit

- 2 Install outdoor unit and power supply device at side of outdoor unit by referring to installation instruction of power supply device manual.
- 2 Ensure necessary installation and maintenance space.



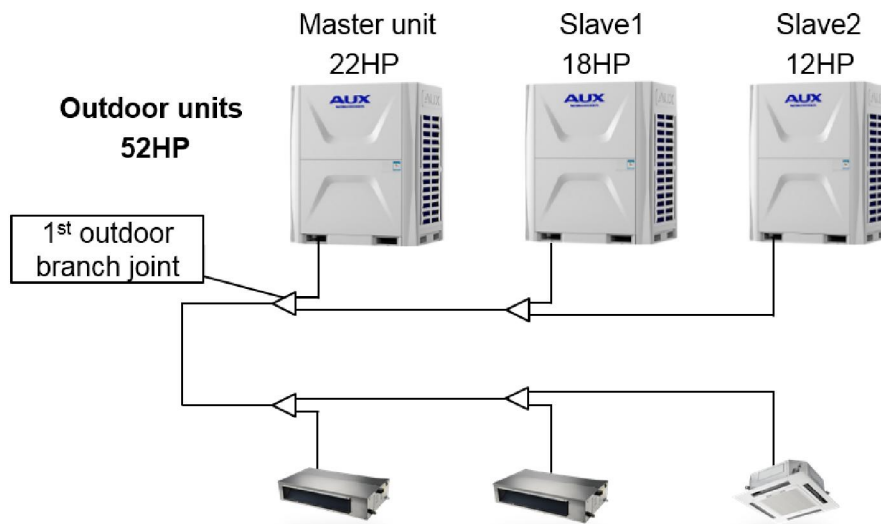
- 2 If there are two rows of outdoor units, we suggest face to face installation for easy maintenance, and avoid air short circuit.
- 2 If there is barrier above outdoor unit, install according to the following diagram:

Note:

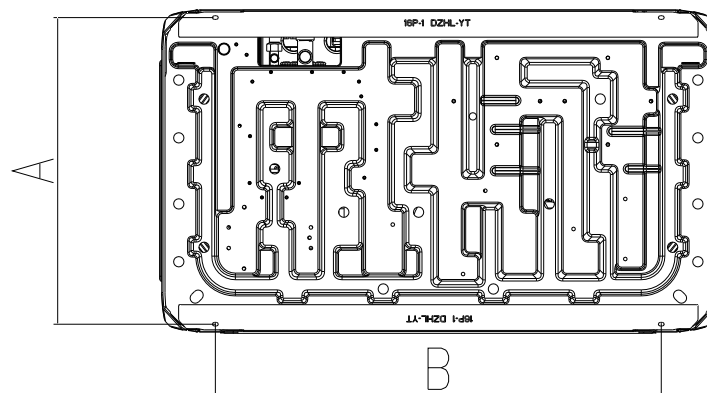
If miscellaneous articles are piled around the outdoor unit, it should be at least 1000mm higher than the top of outdoor unit. Otherwise, a mechanical discharge device must be added to improve the ventilation.

2.3 Installation of Outdoor Unit

- 2 Tighten outdoor unit on mounting support with M10 bolt and nut, and keep it horizontal. The bolt should have a proper length of 20mm more than base surface.
- 2 In case of installing on roof, it is necessary to firmly secure A/C system to prevent the attack of earthquake or strong wind;
- 2 If the system has more two outdoor units, the units should be placed in order from the largest capacity unit to the smallest capacity unit. The largest capacity unit must be placed in the first branch, and be set as the master unit, while the others should be set as slave units, as shown in the following example.

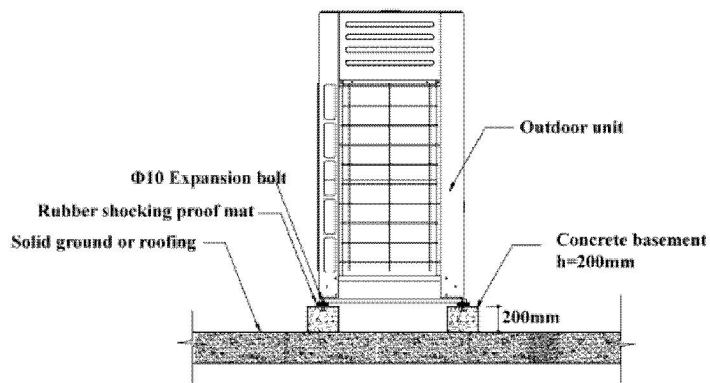


- 2 The installation space for anchor bolt please refer to the following drawing.

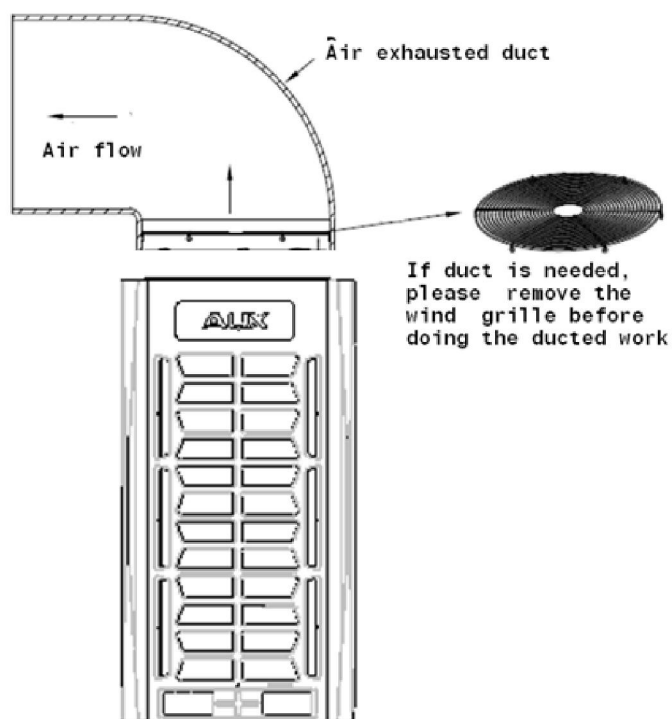


Model	A	B
8~12HP	743	730
14~22HP	743	1085

- 2 The foundation can be made of channel steel or concrete. Reserve the space for discharging the condensate water from outdoor units.



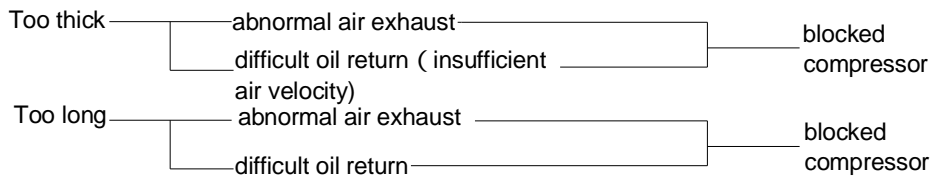
- 2 Install drainage channels to ensure condensed water flow out smoothly.
- 2 Don't use four-square base to support outdoor unit.
- 2 Rubber anti-vibration pads are necessary to avoid vibration.
- 2 If the outdoor unit need side air flow outlet by a duct, it is necessary to remove out the wind grille.



3. Installation of refrigerant pipe

3.1 Installation notice

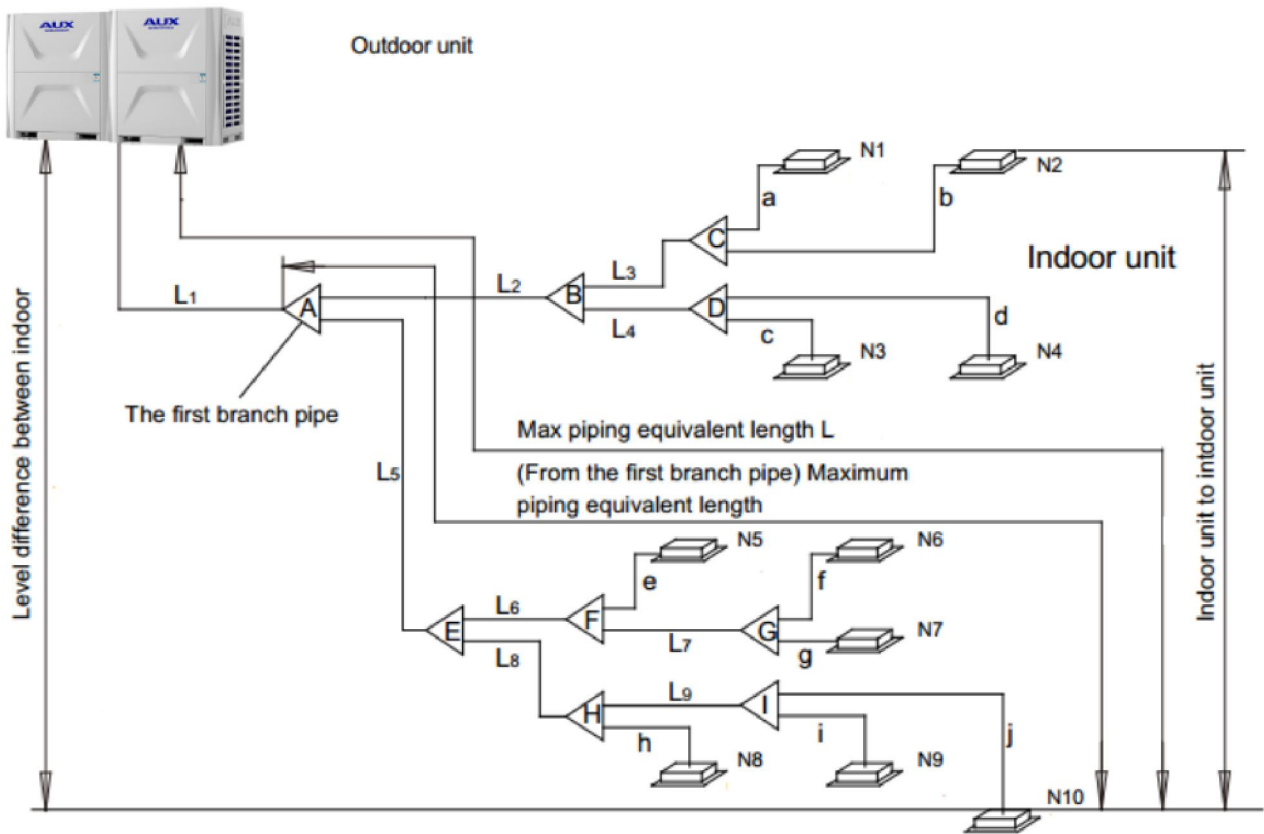
- 2 Please use seamless red copper pipe.
- 2 Ensure to fill nitrogen for protection when welding.
It's necessary to fill nitrogen to prevent oxidation layer (Cu₂O) formed in copper pipe when welding, otherwise substantial oxidation layers will cause blockage of capillary tube or expansion valve, abnormal discharge temperature, poor cooling or heating performance.
- 2 When welding same diameter pipe, it is required to expand the inside diameter at connection area with flaring tool, then butt and weld two pipes.
- 2 Before connection use nitrogen or air to remove dust and moisture inside pipe.
- 2 Don't install pipe while raining to prevent water ingress; Impact of water in system: blocking capillary or expansion valve, generating acid Iron/copper erosion due to refrigerant hydrolysis, generating foreign matter crystal (cage compounds) due to reaction of refrigeration oil;
- 2 Don't let dust or foreign matter such as concrete fragment, sand and copper slag ingress into the system;
- 2 Specification of refrigerant pipe should be selected according to unit requirement



- 2 Refrigerant pipe should be fixed.
When running, refrigerant pipe will sway, expand or shrink, if unfixed, load will concentrate on certain part, result fracture of refrigerant pipe. The pipe should be fixed every 2~3m.
- 2 Please lay out the pipe according to its orientation. Don't repeat bending and unbending operation over three times on the same position of pipe (because pipe will be hardened in this way).
- 2 Pipe bender must be used for pipe bending. The curvature can't be too small, otherwise the pipe may be bent and shrunken, affecting refrigerant flow;
- 3. If permitted, it's recommended to use less indoor units and shorter pipeline

3.2 Connection schematic diagram of pipe

2 Connection Schematic Diagram of system



		Allowable value	Part of pipe
Piping Length	Overall length of pipe (equivalent length)	1000m	$L1+L2+L3+L4+L5+L6+L7+L8+a+b+c+d+e+f+j+h+i$
	Max. Equivalent length between outdoor unit and fastest indoor unit	240m	$L1+L5+L6+L7+L8+i$
	Max. Equivalent length between indoor unit and the first Y branch pipe	40/90m*	$L5+L6+L7+L8+i$
Level difference	Level difference Between ODU & IDU	Outdoor unit is up	/
		Outdoor unit is down	/
	Level difference among indoor units	30m	/

Note:

- 2 It is necessary to increase the pipes size of the liquid and gas piping if the equivalent length between indoor unit and the first Y branch pipe is over 40m.
- 2 Equivalent length refers to conversion length of parts such as elbow after considering pressure loss.
- 2 Equivalent length: actual length of pipe + quantity of elbow equivalent length of each elbow + quantity of oil trap equivalent length of each oil trap.

Elbow and oil trap recommend dimension list

Type Diameter of pipe(mm)	90° elbow(m)	Oil trap(m)
9.52	0.18	1.3
12.7	0.20	1.5
15.88	0.25	2.0
19.05	0.35	2.4
22.2	0.40	3.0
25.4	0.45	3.4
28.6	0.50	3.7
31.8	0.55	4.0
34.93	0.58	4.2
41.3	0.63	4.6
44.5	0.66	5.0

Example:

When actual length of 22HP outdoor unit is 80m, diameter of pipe is 34.93mm and 12 elbows & 2 oil traps are used, the equivalent length should be calculated:

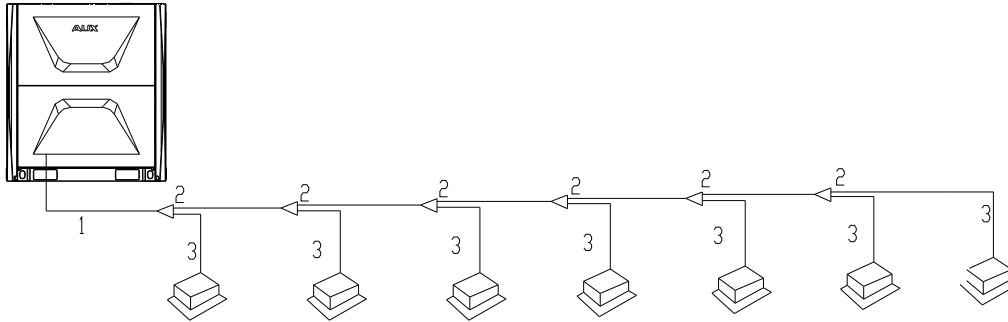
$$80+0.58 \times 12 + 4.2 \times 2 = 95.36\text{m}$$

Note:

If there is relatively level difference of indoor and outdoor unit, S-shaped oil trap must be installed every 8~10m for vertical pipe.

3.3 Determination method of pipe and branch pipe

2 Selecting type of refrigerant pip



Type of pipe	Connecting parts	No.
Main pipe	between outdoor unit and the 1 st . branch pipe	1
	between branch pipe and branch pipe	2
Branch pipe	between branch pipe and indoor unit	3

2 Diameter of pipe 1 depends on pipe specification of outdoor unit.

Model	Gas side(mm)	liquid side(mm)	The 1 st Branch pipe
8~12HP	22.2	12.7	AFG-12B
14~18HP	28.6	15.88	AFG-24B
20~22HP	28.6	15.88	AFG-24B
18<A 24 HP	28.6	15.88	AFG-24B
24<A 34 HP	34.93	19.05	AFG-34B
34<A 50 HP	41.3	19.05	AFG-50B
50<A 88 HP	47.6	22.2	AFG-64B

2 Diameter of pipe “2” depends on the total capacity of indoor unit connected below.

Total capacity of indoor unit (kW)	Gas side(mm)	liquid side(mm)	selection of Branch pipe
B 5.6	12.7	6.35	AFG-00B
5.6<B 16	15.88	9.52	AFG-00B
16<B<22.4	19.05	9.52	AFG-00B
22.4 < B 33	22.2	9.52	AFG-12B
33<B 47	28.6	12.7	AFG-24B
47<B 68	28.6	15.88	AFG-24B
68<B 95	31.8	19.05	AFG-34B
95<B 140	38.1	19.05	AFG-50B
140<B 180	41.3	22.2	AFG-64B
180<B	44.5	25.4	AFG-64B

Note:

1. The 1st. Branch pipe should be based on the capacity of outdoor unit,
2. Other branch pipes and should not larger than the 1st Branch pipe.
- 2 **Diameter of pipe “3” depends on connected indoor unit capacity.**

Cooling capacity of indoor unit(kW)	Gas pipe(mm)	Liquid pipe(mm)	Remark
2.2	9.52	6.35	
2.8	9.52	6.35	Cassette and Ceiling & Floor unit: 12.7/6.35
3.6	12.7	6.35	
4.5	12.7	6.35	
5.6	12.7	6.35	
7.1	15.88	9.52	
8.0	15.88	9.52	
9.0	15.88	9.52	
10.0	15.88	9.52	
11.2	19.05	9.52	
12.5	19.05	9.52	
14.0	19.05	9.52	
15.0	19.05	9.52	
22.0	22.2	12.7	
28.0	22.2	12.7	
45.0	22.2x2	12.7x2	
56.0	22.2x2	12.7x2	

- 2 **Minimum thickness of pipe should meet data of the following table.**

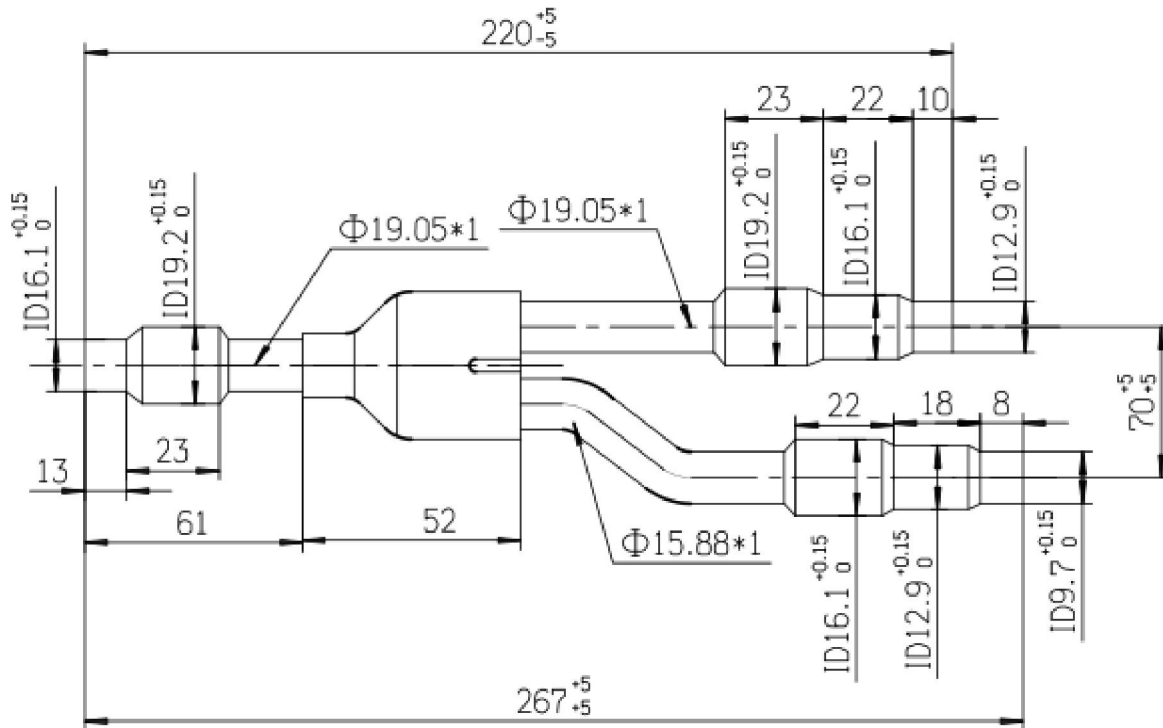
Diameter of pipe (mm)	6.35	9.52	12.7	15.88	19.05	22.2
Minimum wall thickness (mm)	0.8	0.8	1.0	1.0	1.0	1.2
Diameter of pipe (mm)	25.4	28.6	34.93	41.3	44.5	47.6
Minimum wall thickness (mm)	1.2	1.3	1.5	1.5	2	2

3.4 Type and physical dimension of branch pipe

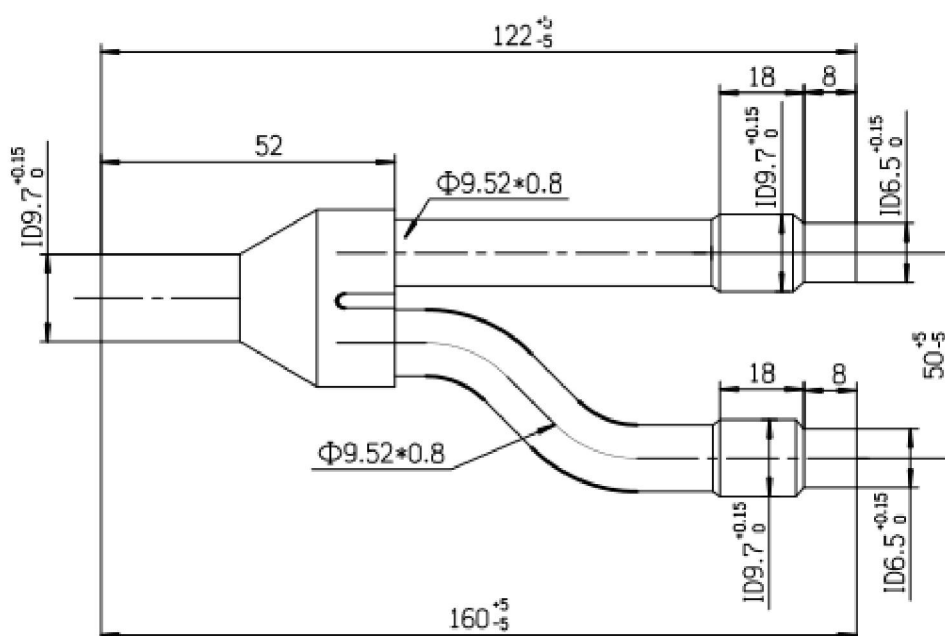
It's allowable to select branch pipe with similar specification as long as it meets pressure-proof requirement. It's required that no leakage at gas pressure of 4.5MPa and no distortion and leakage at hydraulic pressure of 6.3MPa.

AFG-00B Physical Dimension

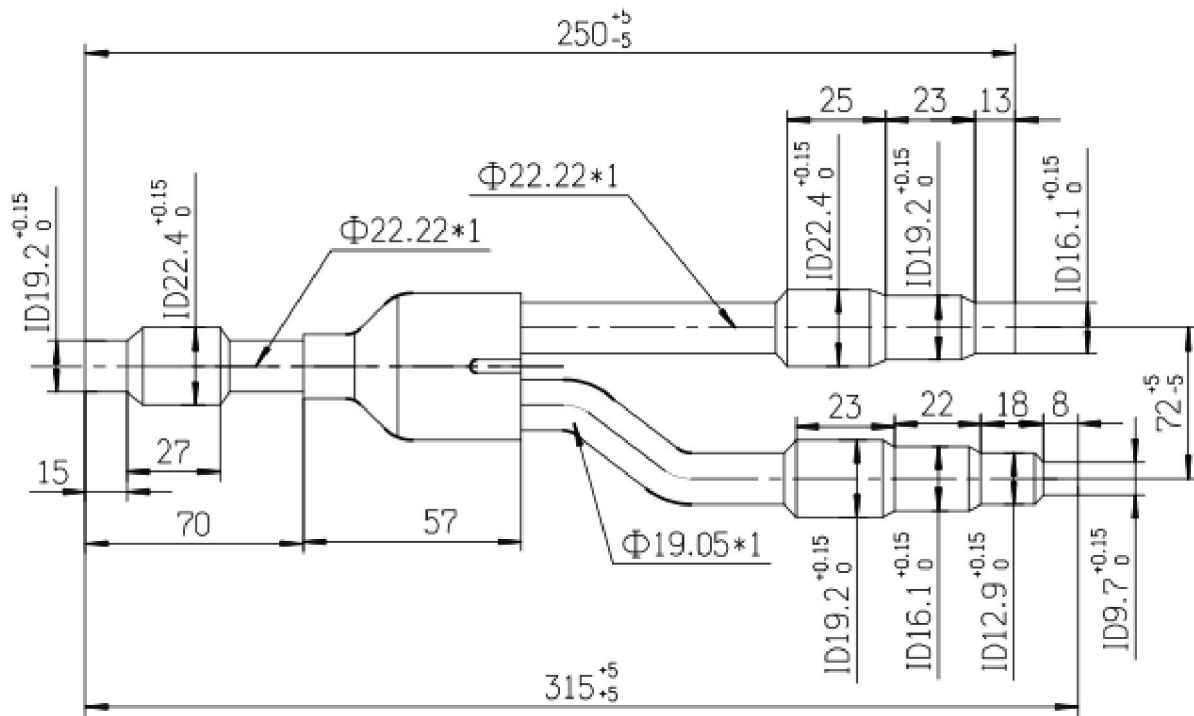
Gas side joint



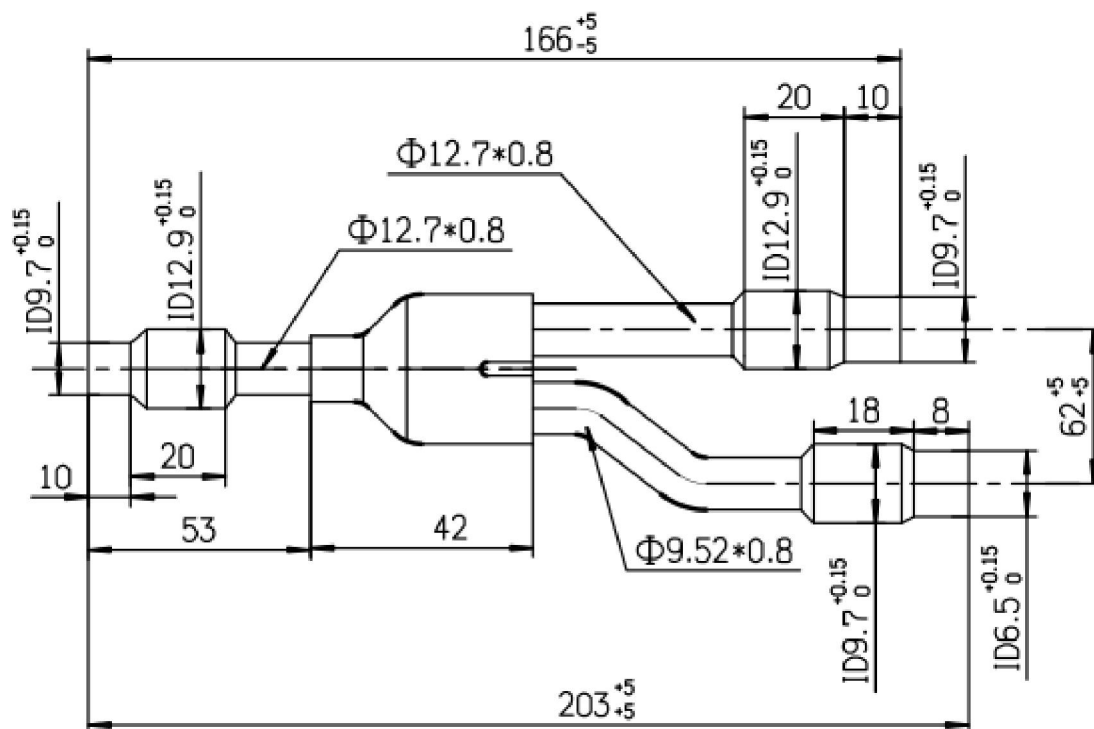
Liquid side joint



AFG-12B Physical Dimension
Gas side joint

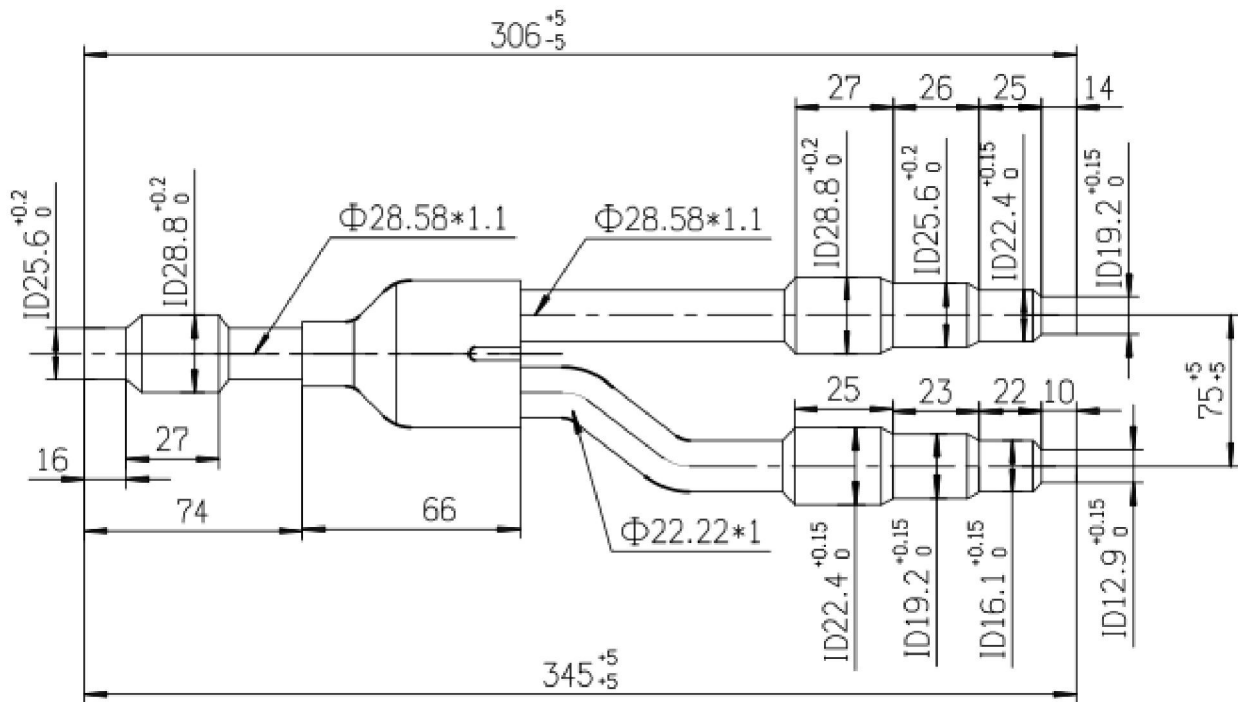


Liquid side joint

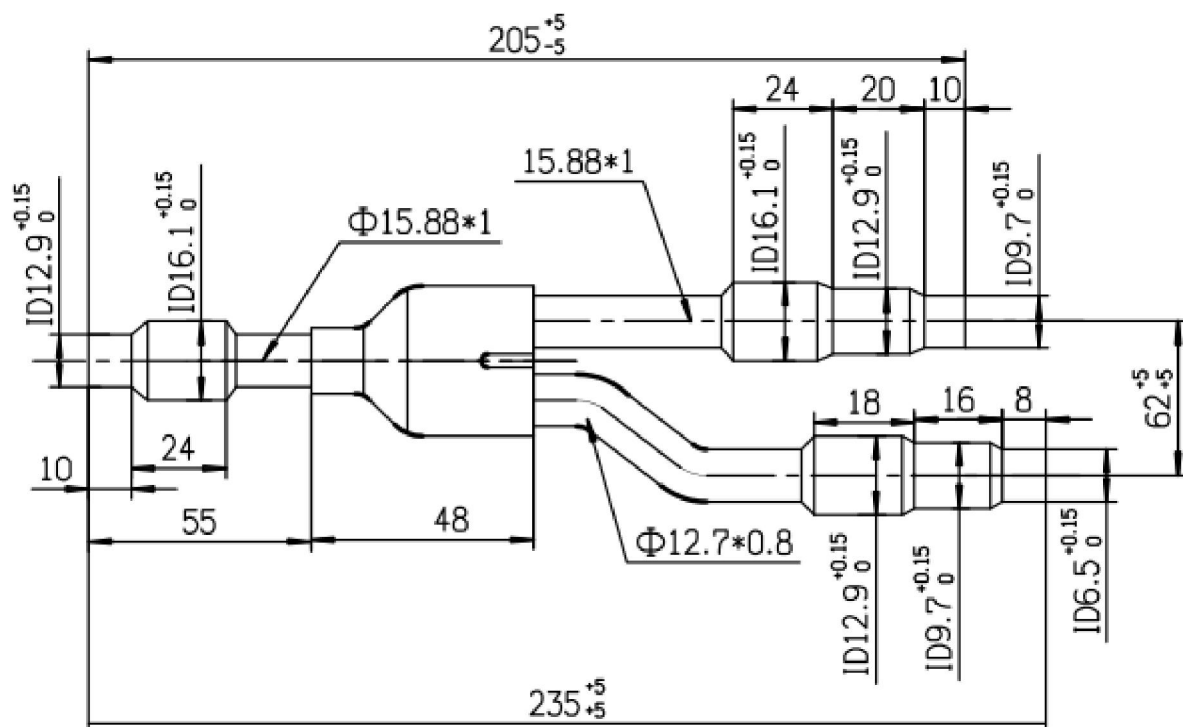


AFG-24B Physical Dimension

Gas side joint

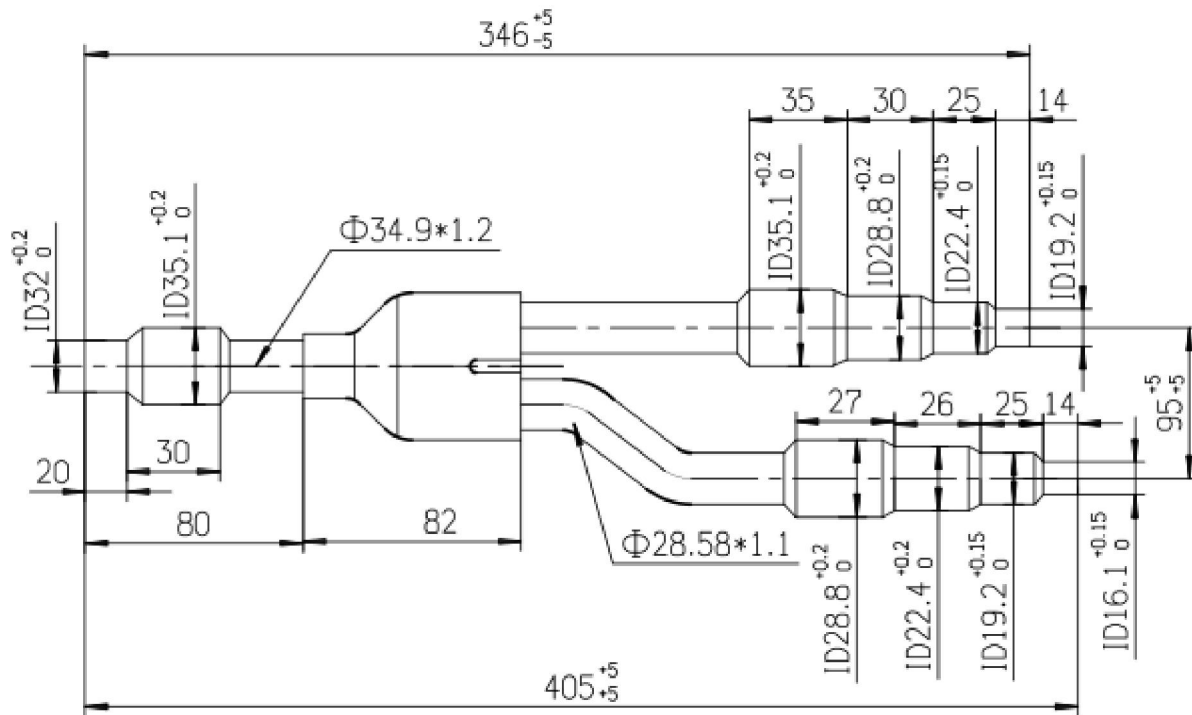


Liquid side joint

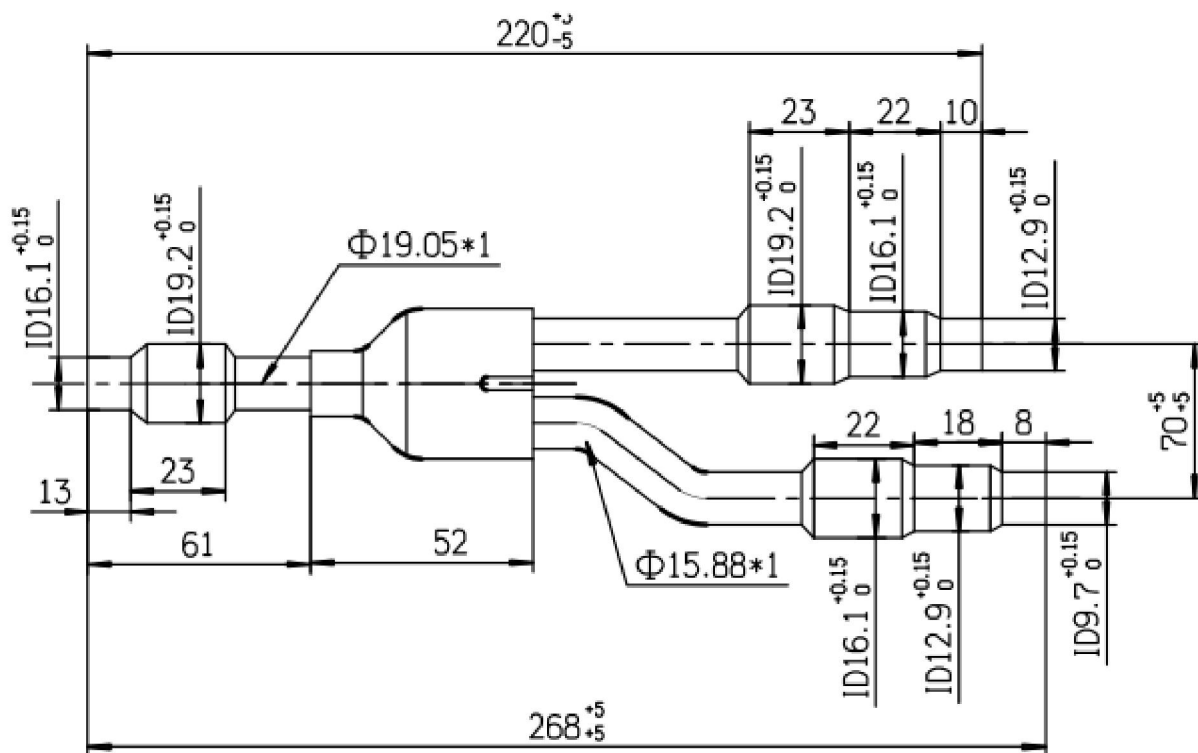


AFG-34B Physical Dimension

Gas side joint

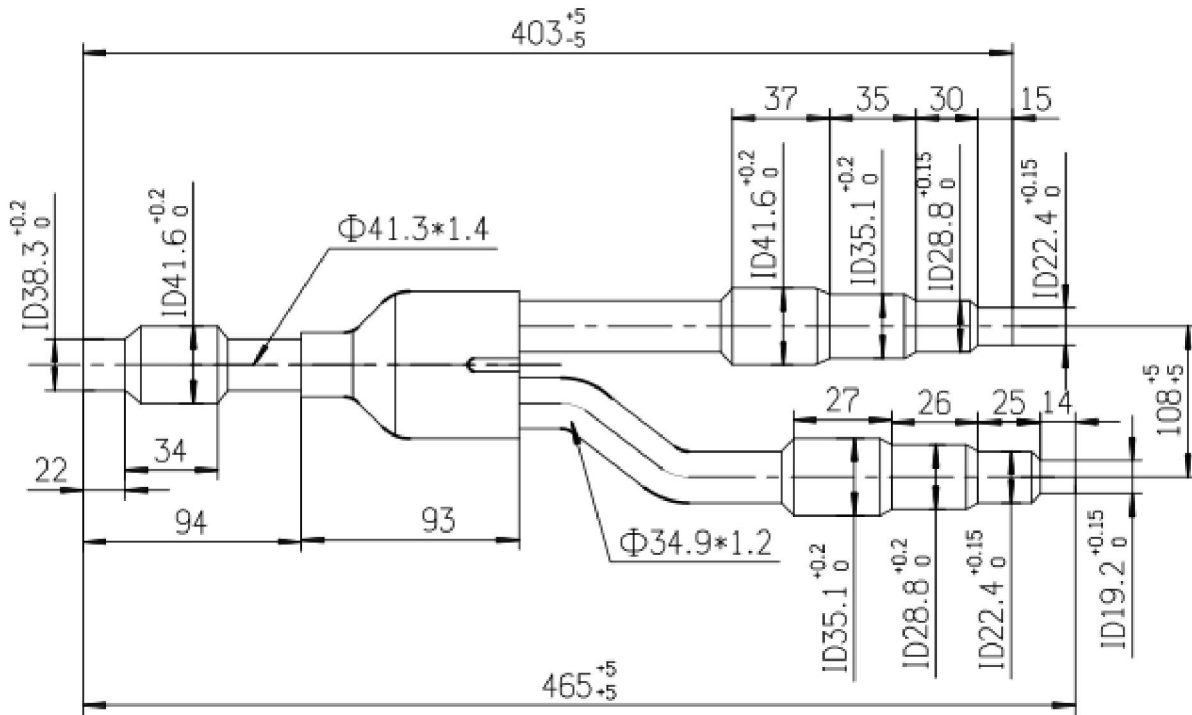


Liquid side joint

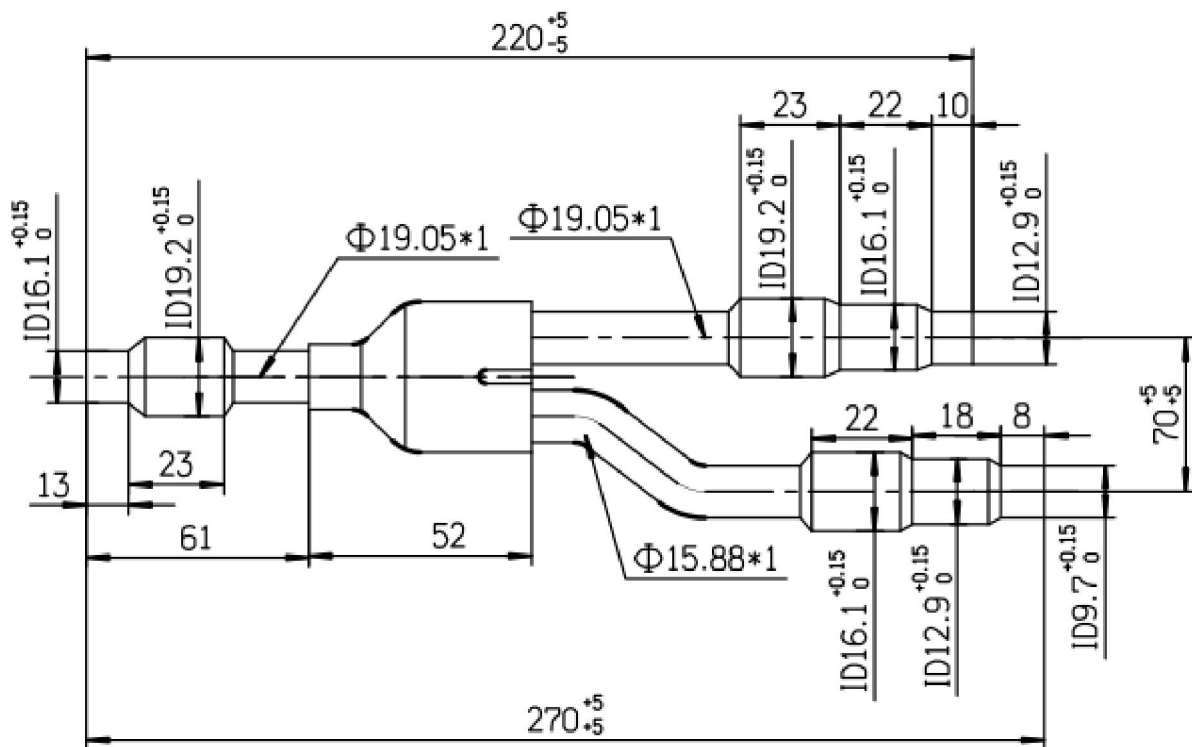


AFG-50B Physical Dimension

Gas side joint

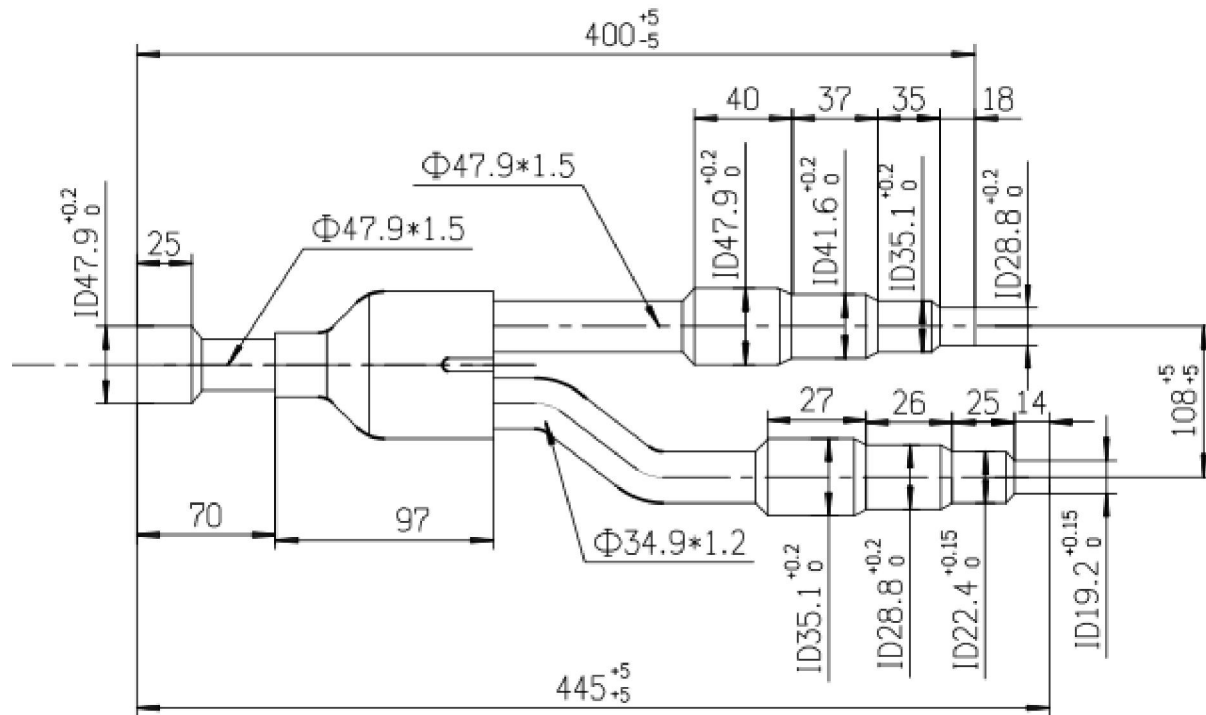


Liquid side joint

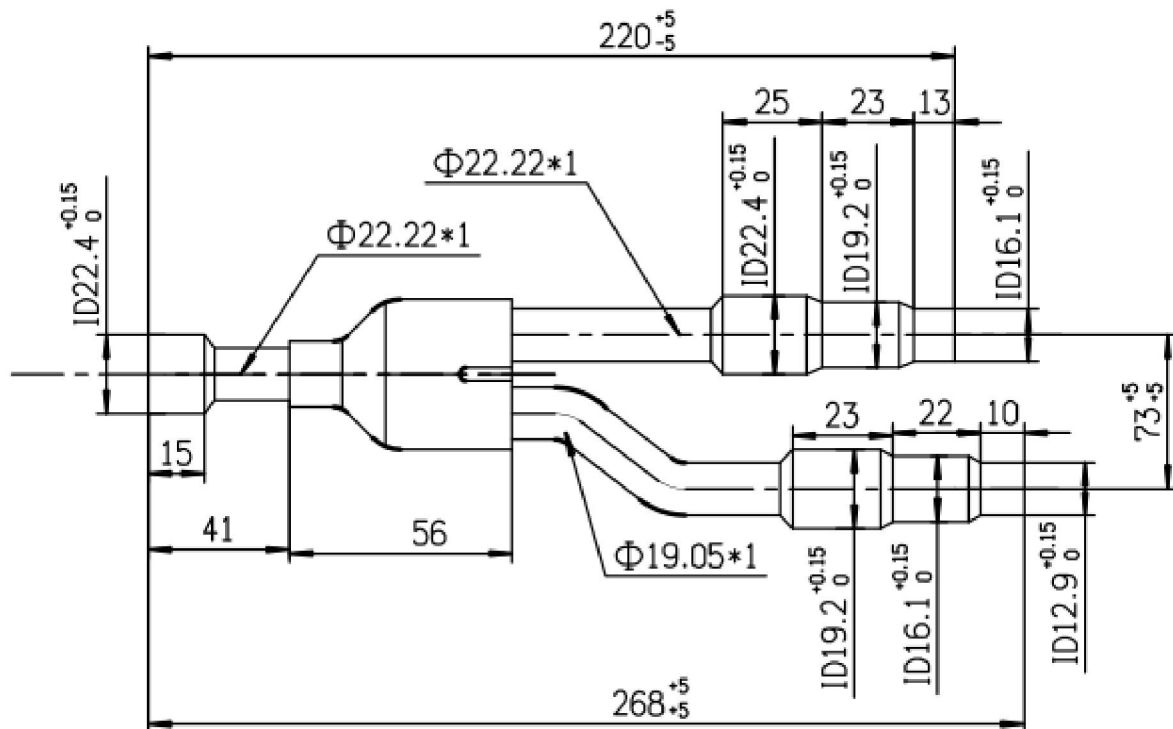


AFG-64B Physical Dimension

Gas side joint

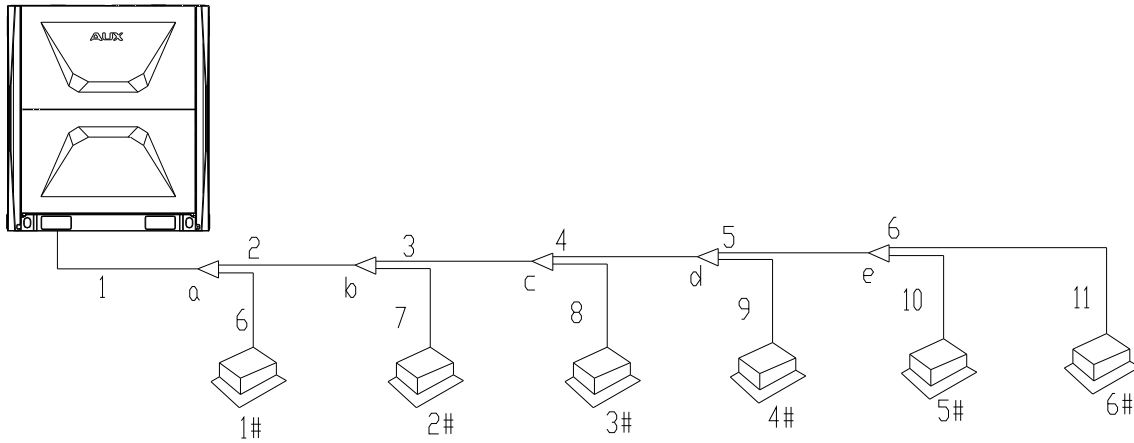


Liquid side joint



2 Example of piping design

22HP is taken as the example to explain pipe selection.



No. of indoor unit	Indoor Unit Capacity (kW / HP)
1#	10 / 3.57
2#	10 / 3.57
3#	10/ 3.57
4#	10 / 3.57
5#	10/3.57
6#	10 / 3.57

For outdoor unit:

Pipe diameter of “1” depends on outdoor unit capacity, which is 15.88/ 28.6. Y-type branch pipe should use the type of AFG-24B.

For indoor side:

1. Downstream indoor units of main pipe “5” include 5#、 6#. Its HP sum is “10×2=20kW”. Dimension of pipe “5” is 19.05/ 9.52. Branch pipe “e” should use AFG-00B.
2. Downstream indoor units of main pipe “4” include 4#~6#. Its HP sum is “10×3=30 kW”. Dimension of pipe “4” is 22.2/ 9.52. Branch pipe “d” should use AFG-12B.
3. Downstream indoor units of main pipe “3” include 3#~6#. Its HP sum is “10×4=40 kW”. Dimension of pipe “3” is 28.6/ 12.7. Branch pipe “c” should use AFG-24B.
4. Downstream indoor units of main pipe “2” include 2#~6#. Its HP sum is “10×5=50 kW”. Dimension of pipe “2” is 28.6/ 15.88. Branch pipe “b” should use AFG-24B.
5. Downstream indoor units of main pipe “1” include 1#~6#. Its HP sum is “10×6=60 kW”. Dimension of pipe “1” is 28.6/ 15.88. Branch pipe “a” should use AFG-24B.

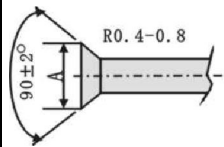
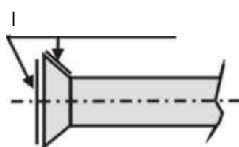
Note:

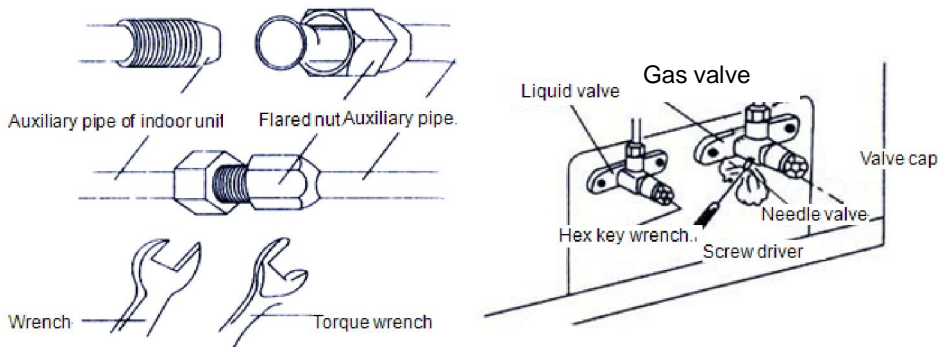
Branch pipes must be placed horizontally , otherwise there will be distribution of refrigerant will be caused.

3.5 Connection and Welding of pipe

Flaring opening connection.

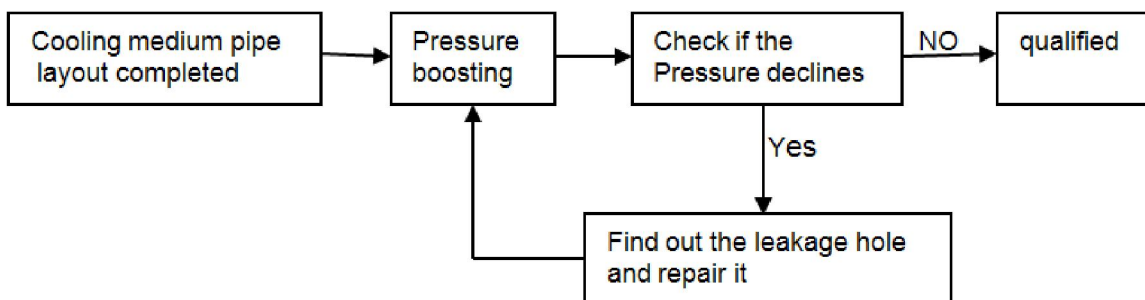
- 2 Deburr the pipe before flaring, then flare pipe with flaring tool as per the dimensions of flaring opening in the following table.
- 2 Apply a thin layer of refrigeration oil on both inside and outside at the flaring part;
- 2 Align flaring opening with threaded joint of indoor unit, manually and tightly screw flared nut, then screw with torque wrench as per the tightening torque in the following table.
- 2 Remove the cap on liquid and gas stop valve, align flaring opening with stop valve of outdoor unit, sufficiently screw flared nut with hand, and then screw with torque wrench as per the tightening torque in the following table.
- 2 It is required to weld before system connection and purge with nitrogen to prevent oxidation layer formed inside copper pipe when welding.

Diameter of pipe	Tightening torque	Machining dimension of flared	Shape of flaring opening	Apply oil
1/4in(6.35mm)	15-19 (N·m)	8.8-9.1mm		
3/8in(9.52mm)	35-40 (N·m)	12.8-13.2mm		
1/2in(12.7mm)	50-60 (N·m)	16.2-16.6mm		
5/8in(15.88mm)	68-80 (N·m)	19.2-19.6mm		
3/4in(19.05mm)	100-120 (N·m)	23.6-24mm		



3.6 Gas Tightness Test

- 2 **Purpose:** To confirm whether there is leakage in pipe by using nitrogen, and the steps are as follows:



2 Gradual pressurization test

1st stage - Large leakage check: 0.3MPa more 3 minutes.

2nd stage - Big leakage check: 1.5MPa more than 3 minutes.

3rd stage – Small leakage check: 4.3MPa more than 24hours.

2 Observe pressure drops.

It's necessary to correct if pressurized temperature is different from observed ambient temperature with difference of 0.01MPa/1 .

Correction value =(pressurized temperature - observed temperature)x0.1

Example:

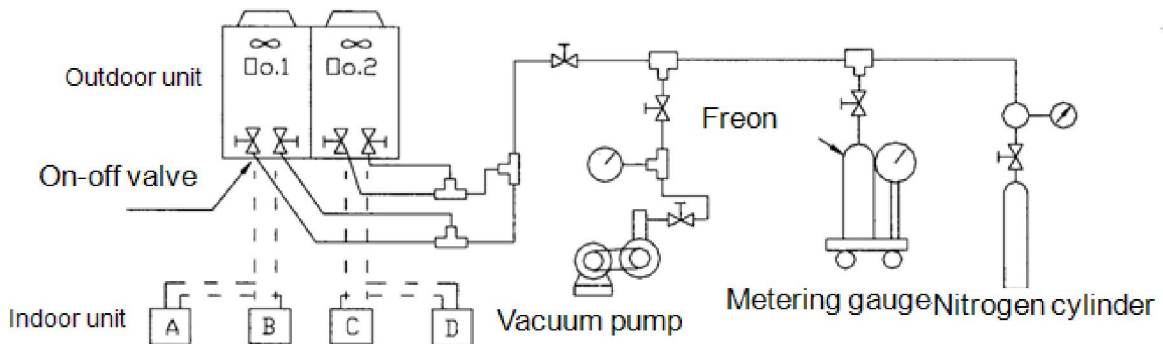
Pressure is 4.3MPa and temperature is 25 in case of pressurization.

After 24 hours, if the pressure is 4.25MPa and temperature is 20 , it is deemed qualified.

Check leakage point.

If there is pressure drop but leakage point can't be found in pressure test:

1. Discharge nitrogen until the pressure is 0.3MPa.
2. Charge R410a refrigerant to 0.5MPa (namely the mixed state of nitrogen and refrigerant).
3. Check with halogen lamp, butane gas(petroleum gas) detector and electric detector.
4. If leakage point can't be found, recheck by continuously pressurize up to 2.8MPa. (maximum pressure is 4.3MPa).



3.7 Vacuum Drying

3.7.1 Purpose of vacuum drying

1. Remove moisture from the system to prevent ice-blockage and coppering. Ice-blockage will cause abnormal operation, while coppering may damage compressor.
2. Eliminating the non-condensable gas of system prevents oxidizing of internal components, system pressure fluctuation, and low heat exchange performance.
3. Detect leakage source from reverse rotate.

3.7.2 Selection of vacuum pump

1. Vacuuming suction must be less than -14.6PSI(756mmHg).
2. The discharge of vacuum pump is over 4L/s.

3. The precision of vacuum pump is over 0.001ft.H₂O(0.02mmHg)

Note:

1. Under the normal air pressure, the boiling point of water (steam temperature) is 100 °C, but the pressure in vacuum pump pipe is near vacuum, this makes the boiling point lower to below the outside air temperature, and the water in the pipe is evaporated.
2. After the vacuuming process of R410A refrigerant circulation system is complete, vacuum pump will stop running. As a result of suction in the air conditioning system, vacuum pump lubricant will seep back into the system. This situation will also occur if vacuum pump suddenly stops during operation. It will cause different oils mix, leading to system malfunction, therefore it is recommended to use one-way valve to prevent reverse flow of oil in vacuum pump.

Water's boiling point(°C)	Pressure(mmHg)	Vacuum degree(mmHg)
40	55	-705
30	36	-724
26.7	25	-735
24.4	23	-737
22.2	20	-740
20.6	18	-742
17.8	15	-745
15.0	13	-747
11.7	10	-750
7.2	8	-752
0	5	-755

Example: When the ambient temperature is 7.2 °C, vacuuming can be carried out under -752mmHg.

3.7.3 Operation procedure

There are two vacuum drying methods: common and special.

2 Ordinary vacuum drying

1. Connect the pressure gauge to the infusing mouth of gas and liquid pipe, keep vacuum pump running for at least 2 hours, ensures vacuum degree is below -14.6PSI(-755mmHg).
2. If the vacuum degree is not below -14.6PSI(-755mmHg) after 2 hours of drying, system will continue drying for 1 hour.
3. If the vacuum degree is not below -14.6PSI(-755mmHg) after 3 hours of drying, check the system for leaks.
4. Vacuum placement test: when the vacuum degree reaches -14.6PSI(-755mmHg), keep for 1 hour. If the vacuum gauge indicator does not increase, the process is complete. If the vacuum gauge increases, it indicates of moisture or a leak.

5. Vacuum drying shall be conducted from liquid and gas pipe simultaneously. There are a lot of function parts like valves, which could shut down the gas flow midway.

2 **Special vacuum drying**

Special vacuum drying method shall be adopted when:

1. Discovery of moisture during refrigerant piping flush.
2. Conducting construction on rainy day, because rain water might penetrated into pipeline.
3. Construction period is long, and rain water might penetrated into pipeline.
4. Rain water might penetrate into pipeline during construction.

Procedures of special vacuum drying are as follows:

1. First stage vacuum drying 2 hours.
2. The second vacuum damage, charging nitrogen to 7.1PSI(0.5kgf/cm²).
Because nitrogen is dry, vacuum damage could achieve the effect of vacuum drying, but this method can't sufficiently dry the system when there is too much moisture. Therefore, it is crucial to ensure that moisture does not enter the system and condensation does not form.
3. Second stage vacuum drying 1 hour.
Vacuum drying is confirmed complete when vacuum degree is under -14.6PSI(-755mmHg); if the vacuum degree is still above -14.6PSI(-755mmHg) within 2 hours drying, please repeat the procedures of "vacuum damage---vacuum drying".
4. Vacuum placement test: when the vacuum degree reaches -14.6PSI(-755mmHg), keep for 1 hour. If the vacuum gauge indicator does not increase, the process is complete. If the vacuum gauge increases, it indicates of moisture or a leak.

4. Additional refrigerant

4.1 Operation procedure

Calculate the required refrigerant volume by the length of liquid pipe recharge refrigerant.

Pipe size of liquid side (mm)	L1 25.4	L2 22.22	L3 19.05	L4 15.88	L5 12.7	L6 9.52	L7 6.35
Additional refrigerant charge per meter (kg)	0.45	0.34	0.25	0.17	0.11	0.054	0.022

Additional refrigerant charge volume = (L1×0.45) + (L2×0.34) + (L3×0.25) + (L4×0.17) + (L5×0.11) + (L6×0.054) + (L7×0.022)

4.2 Steps for recharging refrigerant

1. Make sure vacuum drying is qualified before recharging refrigerant.
2. Calculate the required refrigerant volume by the diameter and the length of liquid pipe.
3. Use electronic scale or fluid infusion apparatus to weigh the recharged refrigerant volume.
4. Use soft pipe to connect refrigerant cylinder, pressure gauge, and examine valve of outdoor unit. And recharge in liquid mode. Before recharging, clear the air in the soft pipe and pressure gauge's pipe.
5. After recharge is finished, using gas leak detector or soap water, inspect for refrigerant leakage in expansion part of indoor and outdoor units.

Caution

- 2 The recharged refrigerant volume must be calculated according to the formula in the outdoor technical reference manual. Calculation cannot be made according to running current, pressure and temperature as current and pressure will change depending on the difference of temperature and length of pipeline.
- 2 The calculation result must be recorded for reference (Better to make a table);
- 2 In cold temperature, use warm water and hot air to warm up refrigerant storage cylinder.
- 2 Charge the additional refrigerant from the gas pipe or liquid pipe. After the system is running, if it is needed to charge refrigerant during maintenance, charge at the gauge point.

4.3 Recharging R410A refrigerant

If R410A refrigerant is adopted, confirm the following items before recharging,

1. R410A refrigerant compatible vacuum pump with one-way valve.
2. R410A refrigerant compatible pressure gauge.
3. R410A refrigerant compatible recharging soft pipe and connector.
4. Charging method: Recharge in liquid phase.

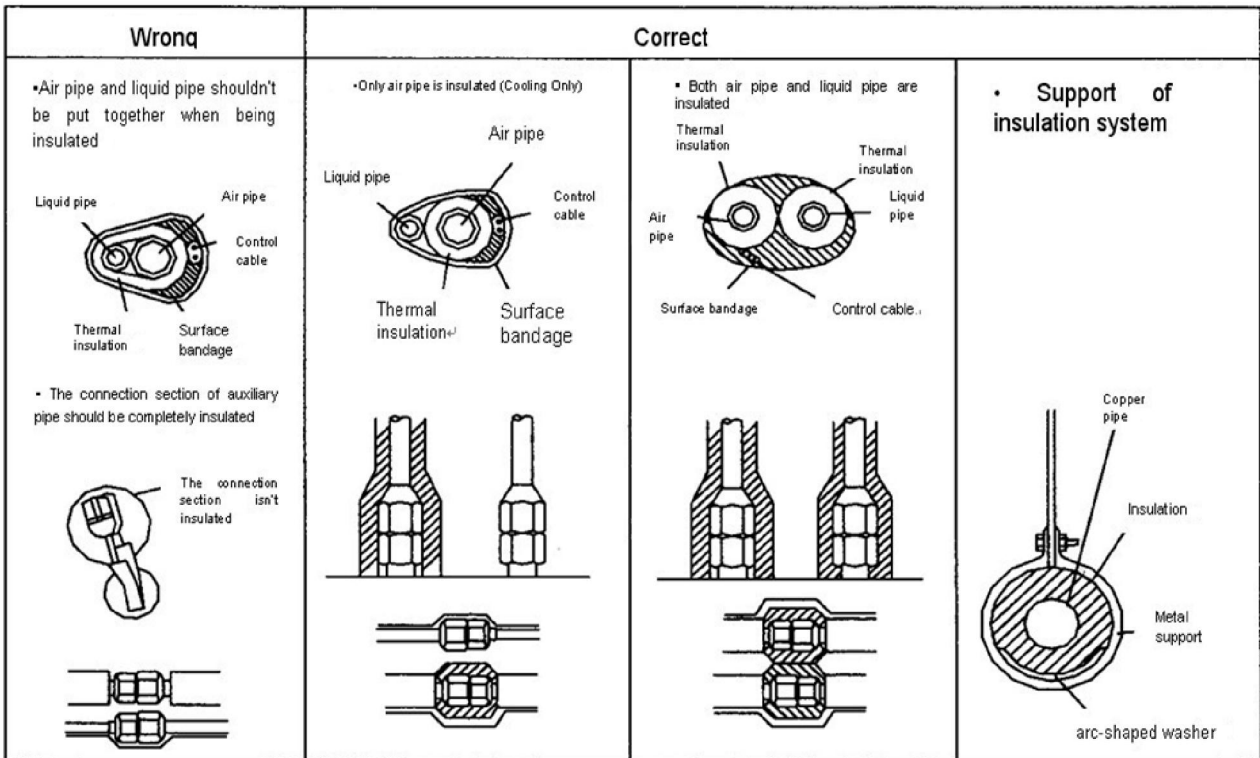
5. Insulation

Thermal insulation wrapping of pipe

Thermal insulation materials should be used for drainage pipe and refrigerant pipe to prevent condensation or water leakage.

Note:

- 2 Wrap refrigerant pipe with thermal insulation materials of good insulation performance (> 120).
- 2 Notice for high-humidity environment: the A/C system is verified by condensation conditions test. However, it may subject to dripping if working in high-humidity (condensation temperature > 23) environment for a long time. In this case, please add the following thermal insulation materials:
- 2 The thermal insulation materials should be glass fiber thermal insulation materials with 10~20mm thickness.



Sealing of Wall Opening

After installing pipe and drainage pipe, it's necessary to seal the gap among wall opening, refrigerant pipe, drainage pipe and electric wire with mortar or putty to prevent capacity degradation or water leakage caused by rainwater or foreign matter from ingress into room and A/C system.

If outdoor unit is higher than indoor unit, it's necessary to bend refrigerant pipe to ensure the lowest point of the pipe is lower than wall opening and prevent rainwater flowing into room or A/C system along the tubing.

6. Electrical connection

6.1 Caution and notice

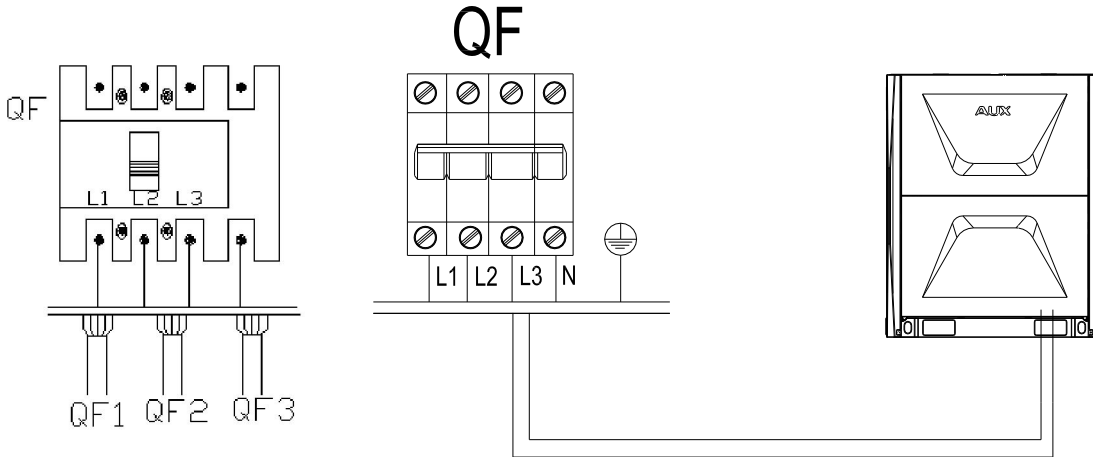
Caution	All field wiring and components must be installed by a licensed electrician.
	Please separately design the special power of indoor units and outdoor units.
	Be sure to use a dedicated power circuit, Never use a power supply shared by another appliance. The connection fixing circuit installs all polar disconnecting device with contact gap above 3mm.
	The indoor units' power, protector and manual switch connecting to the same outdoor unit must be general. All indoor units must be the same circuit, and must simultaneously on or off.
	The communication line between indoor units and outdoor units please use 2 core shielded wiring, while don't use the multi core wiring without shielded affect, for the interference is reduced each other.
	Purchased wiring, parts and materials should be in compliance with relevant local and national regulations.
	AC equipment should be grounded according to the relevant local and national electrical regulations.
	Maintenance operation should be conducted after switching off power supply.
	The outdoor unit includes an inverter device. Connect to the earth to eliminate the impact on other devices and to prevent leaked current from being charged in the outer hull of the product.
	Don't connect the ground wire to gas pipe, water pipe, telephone, lightning and other ground wires.
	Leakage protector and power switch must be installed on power supply to prevent electric shock accident.
	The specification of single-phase control board fuse is F3.15AL 250V,
	The specification of outdoor unit control board fuse is F6.3AL 250V;
	The specification of three-phase outdoor unit control board fuse is F3.15AL 250V,
	The specification of fan unit control board fuse is F10AL 250V.
Reliable grounding is required, because electric shock will be caused by improper grounding.	
Notice	Electrical wiring must be done in accordance with the wiring diagrams and the description herein.
	Signal wire and power wire must be separated, and can't share the same wire. It's strictly prohibited connecting signal wire to heavy current.
	When connecting wiring and wire holder, use cable clamp to fix and make sure no exposure.
	Refrigerant piping system and wiring system of indoor and outdoor unit belongs to the different system.
	When power wire is parallel with signal wire, put wires to their own wire tube and remain proper gap
	Voltage discrepancy between power wire terminal (side of power transformer) and end voltage (side of unit) should be less than 2%. If its length could not be shortened, thicken the power wire. Voltage discrepancy between phases shall be less than 2% rated value and current discrepancy between highest and lowest phase should be less than 3% rated value.
	Never connect the power supply in reversed phase. The unit can not operate normally in reversed phase. If you connect in inversed phase, replace two of the three phases.

6.2 Wiring Diagram of Indoor Unit and Outdoor Unit

Note:

- Power line must be properly fixed;
- Each outdoor unit must be grounded;
- Each indoor unit must be grounded;
- Power wire must be thickened when it is overlong.

Wiring Diagram of Modular Outdoor Unit

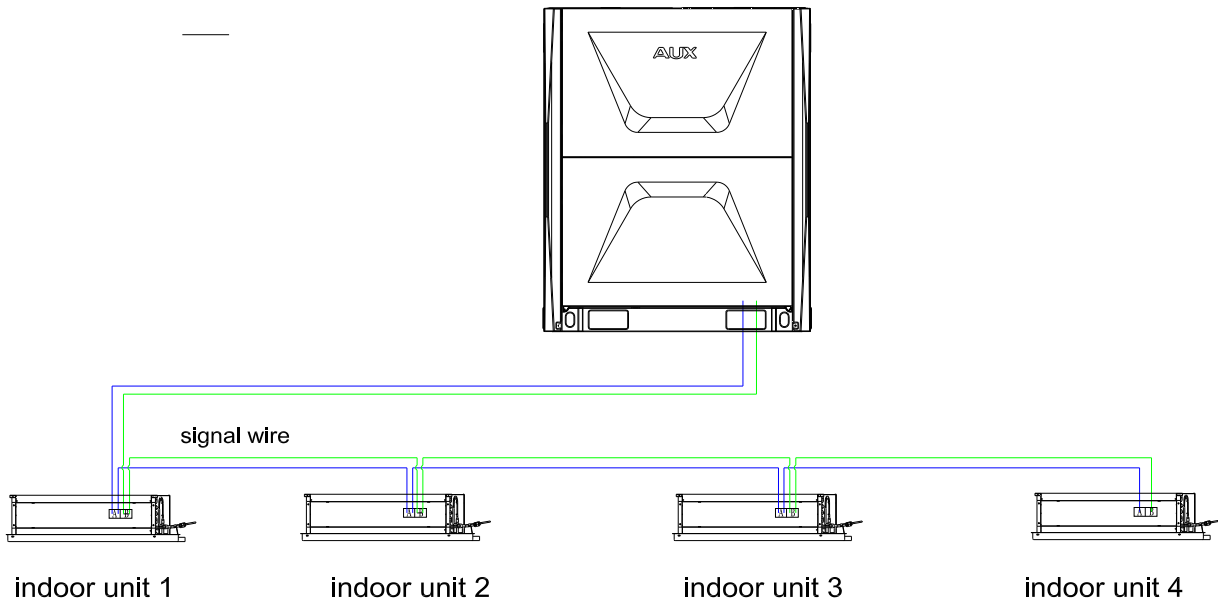


Recommended Specification for Power Line of Outdoor Unit (stand-alone power supply)

Unit Type		Item	Power supply	Sectional area of power line (mm ²)	Rated current breaker (A)	Rated current of breaker, leakage current Operate time	Containing an area of ground wire(mm ²)
Separate power	ARV-H250/SR1MV	380~415V 3Ph ~ 50/60Hz		6	32	30mA, < 0.1 sec.	6
	ARV-H280/SR1MV			6	32	30mA, < 0.1 sec.	6
	ARV-H330/SR1MV			6	32	30mA, < 0.1 sec.	6
	ARV-H400/SR1MV			10	50	30mA, < 0.1 sec.	10
	ARV-H450/SR1MV			10	50	30mA, < 0.1 sec.	10
	ARV-H500/SR1MV			10	50	30mA, < 0.1 sec.	10
	ARV-H560/SR1MV			10	50	30mA, < 0.1 sec.	10
	ARV-H610/SR1MV			10	63	30mA, < 0.1 sec.	10

6.3 Communication Line Connection

Outdoor unit



6.4 Wiring

1. Open electric controlled box cover of indoor unit, wire according to electrical schematic diagram on electric controlled box cover, firmly press connecting wire on connecting terminal without loosening, ground wire must be connected at designated position.
2. Open cover plate of electric appliance on right of outdoor unit and wire according to electrical schematic diagram on backside of electric appliance cover plate.
3. Make sure to thread connecting wire through tension disc and press firmly, wire end must be firmly pressed on connecting terminal without loosening and ground wire must be connected at designated position.
4. After wiring, properly bind connecting pipe, connecting wire and drainage pipe with bandage as shown below:

Note:

1. Make sure that unit connecting line can't be put together with thermal insulation material and should be at least 20cm away from unit connecting pipe.
2. Don't flatten drainpipe when binding.

Part4 Commissioning

1. Preparatory work.....	147
2. DIP switch.....	149
3. Commissioning.....	151
4. Function and Parameter	156
5. Commissioning Based on Monitoring Software	162
6. IDU Parameter setting by Controller	171

1. Preparatory work

1.1 Inspection and confirmation before commissioning

- 2 Confirm that refrigeration piping and communication wire of indoor and outdoor units have been connected to the same refrigeration system in order avoid unnecessary malfunctions.
- 2 Confirm power voltage is within $\pm 10\%$ rated voltage.
- 2 Confirm that the power wire and control wire are correctly connected, the power phase sequence of outdoor unit is corrected, the outdoor unit can detect each indoor unit.
- 2 Confirm wired controller is properly connected.
- 2 Confirm all units have passed nitrogen pressure-keeping test for 24 hours.
- 2 Confirm the system has been carried out vacuum drying and charged with refrigeration as required.

1.2 Preparation before start up

- 2 Turn on power switches of outdoor unit in advance, and keep connected for a minimum of 8 hours to ensure refrigerant oil is sufficiently heated.
- 2 Turn on all valves. If valves are not fully open unit may be damaged.
- 2 All dial switches of indoor / outdoor units have been set according to the technical requirements.

1.3 Commissioning

Inspection list of trial run:

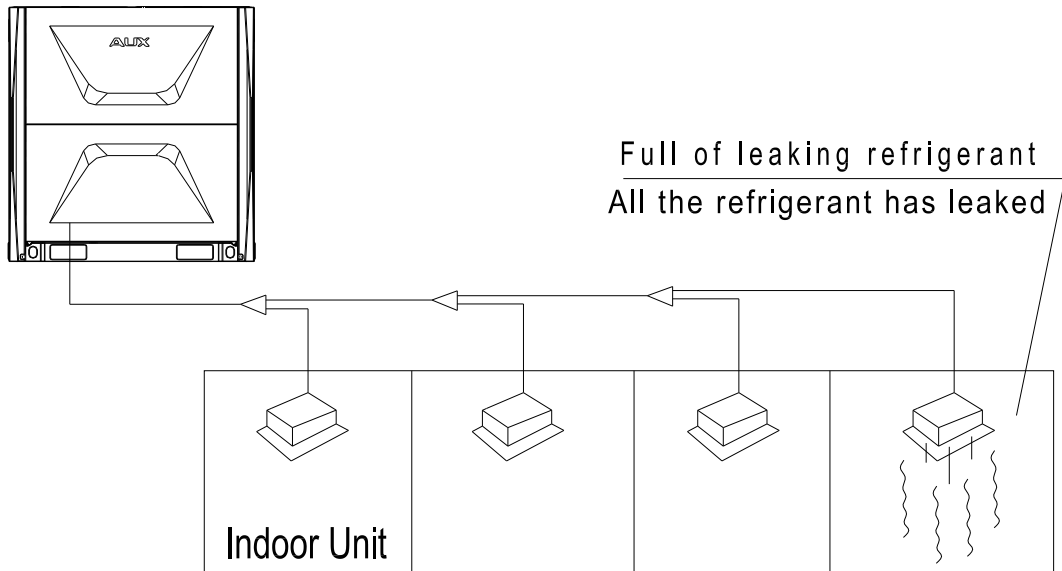
- 1) Confirm the fan impeller is rotating according to its intended route and turns smoothly.
- 2) Check for abnormal noise during operation of refrigerant system and compressor.
- 3) Confirm drainage is smooth and its lift pump is operational.
- 4) Confirm operating current is within the allowed range.
- 5) Confirm each operating parameter is within the range permitted by the equipment.

Note: Separately test cooling mode and heating mode to judge the stability and reliability of the system.

1.4 Refrigerant leakage caution

This air conditioner adopts R410A as refrigerant, which is safe and noncombustible.

R410A critical thickness: 0.3kg/m^3 (Critical thickness: the max thickness of Freon without any harm to person).



Calculate the critical thickness through following steps, and take necessary actions.

- 1) Calculate the refrigerant charge volume A, $A = \text{factory charge volume} + \text{additional charge volume}$
- 2) Calculate the indoor area volume (B) (as the minimum volume)
- 3) Calculate the refrigerant thickness, A/B critical thickness 0.3kg/m^3

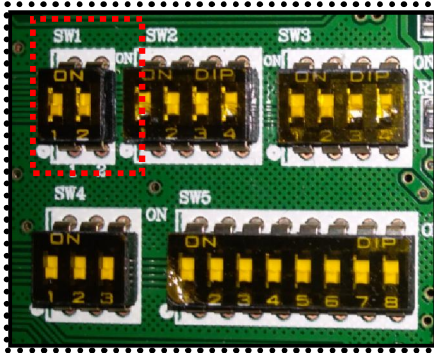
Note:

In winter, supply power 6 hours in advance for initial operation so that crankshaft case can be preheated in advance.

In winter, after main power supply is interrupted for 6 hours, conduct trial operation again only after 2.5 hours of power-on.

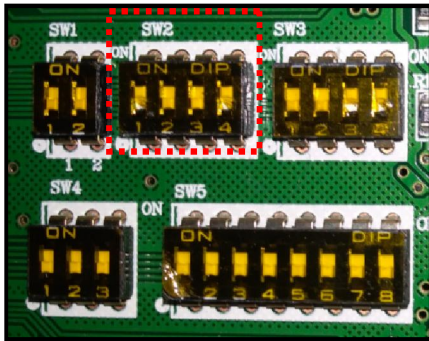
2. DIP switch

2.1 Outdoor master unit setting- SW1



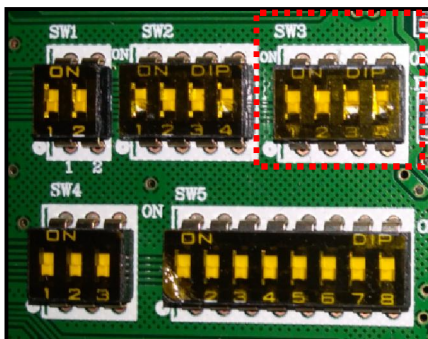
1	2	Definition
OFF	OFF	Master
OFF	ON	Slave 1
ON	OFF	Slave 2
ON	ON	Slave 3

2.2 Check the outdoor unit capacity setting- SW2



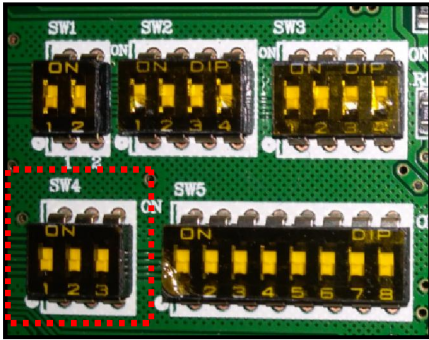
1	2	3	4	Capacity	
OFF	OFF	OFF	OFF	Reserve	
OFF	OFF	OFF	ON	8HP	22.4 kW
OFF	OFF	ON	OFF	9HP	25.2kW
OFF	OFF	ON	ON	10HP	28.0 kW
OFF	ON	OFF	OFF	12HP	33.5 kW
OFF	ON	OFF	ON	14HP	40.0 kW
OFF	ON	ON	OFF	16HP	45.0 kW
OFF	ON	ON	ON	18HP	50.4 kW
ON	OFF	OFF	OFF	20HP	56.0 kW
ON	OFF	OFF	ON	22HP	61.5 kW

2.3 Check the outdoor unit type - SW3



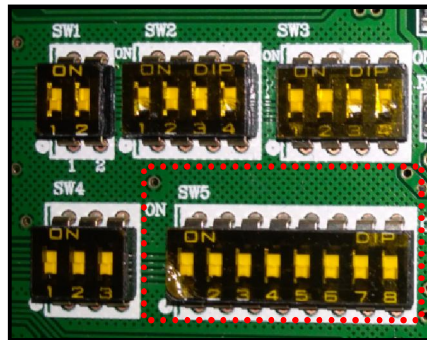
1	2	3	4	Definition
OFF	OFF	OFF	OFF	/
OFF	OFF	OFF	ON	/
OFF	OFF	ON	OFF	Modular series(AC FAN)
OFF	OFF	ON	ON	Modular series(DC FAN)

2.4 Function setting-SW4



1	2	Function	3	Function
OFF	OFF	Without Compressor emergency(Default)	OFF	Without modular emergency(Default)
OFF	ON	1# Compressor emergency	ON	modular emergency
ON	OFF	2# Compressor emergency	/	/
ON	ON	3# Compressor emergency	/	/

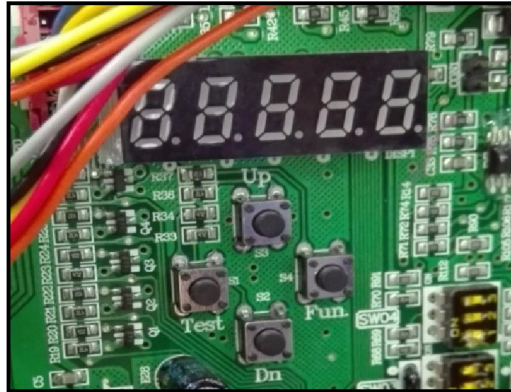
2.5 Function setting-SW5



1	2	Function	3	4	Function	5	6	Function	7	8
OFF	OFF	Without quiet mode(Default)	OFF	OFF	First-ON (Default)	OFF	OFF	static pressure 0 Pa(Default)	Reserve	
OFF	ON	Quiet in night	OFF	ON	Heating priority	OFF	ON	20 Pa		
ON	OFF	Quiet mode	ON	OFF	Cooling priority	ON	OFF	50 Pa		
ON	ON	Super quiet mode	ON	ON	Majority rule	ON	ON	80 Pa		

3. Commissioning

3.1 Instruction of Keys



After installation of IDU and ODU, Vacuum pumping, Refrigerantfilling, IDU and ODU power on , then the main PCB digital tube displays“d.0000 ”, it means the system is waiting for commissioning; if it displays standby “ L.0.16 ” or locking“ L.o.c. ”,it means that the system has finished commissioning.

3.2 Basic Operations

Enter/ Exit

Long press “Fun” button for more than 5 s to enter project commissioning;

Long press “Test” button for more than 5 s to exit.

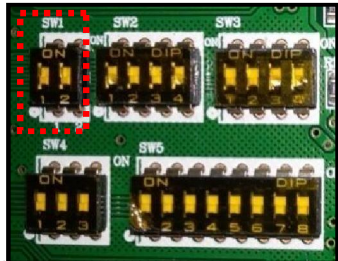
Quick finish

After completing Step “3”, long press “Fun” + “Test” buttons for more than 5 s to complete project commissioning in advance, the system enters the state of normal standby.

3.3 Steps of Commissioning

3.3.1 ODU address and IDU address setting

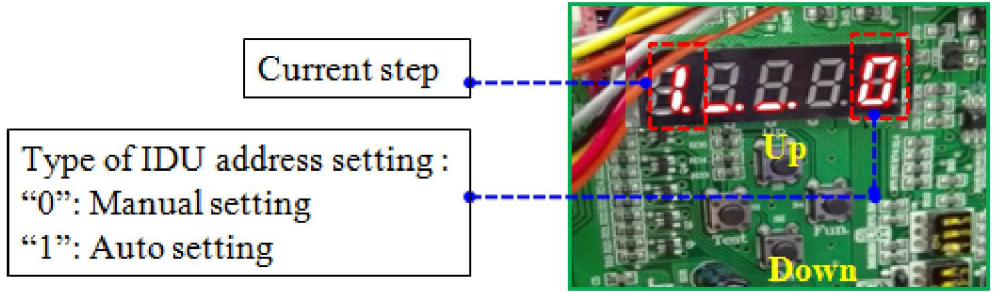
The system must set DIP address to make one module as master unit, the rest are slave units.



1	2	Definition
OFF	OFF	Master
OFF	ON	Slave 1
ON	OFF	Slave 2
ON	ON	Slave 3

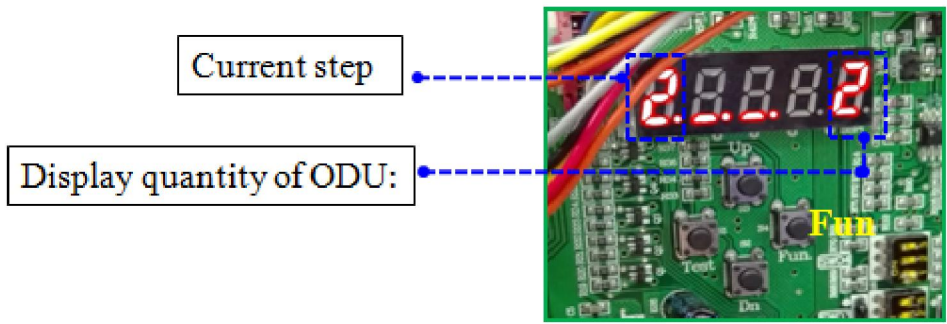
After setting master and slave units correctly, Long press “Fun” button for more than 5 s to enter project commissioning , digital tube will display“1.0.0.0” (the left means 1st step, the

right shows the addressing mode, “0” means manual addressing, “1” means automatic addressing), press “Up” or “Down” buttons to choose, short press “Fun” to confirm; after confirmation, digital tube displays “1.0000” or “1.0001”, 2 s later, enter step 2. If manual addressing is chosen, manually set the indoor unit address by remote controller or wired controller.



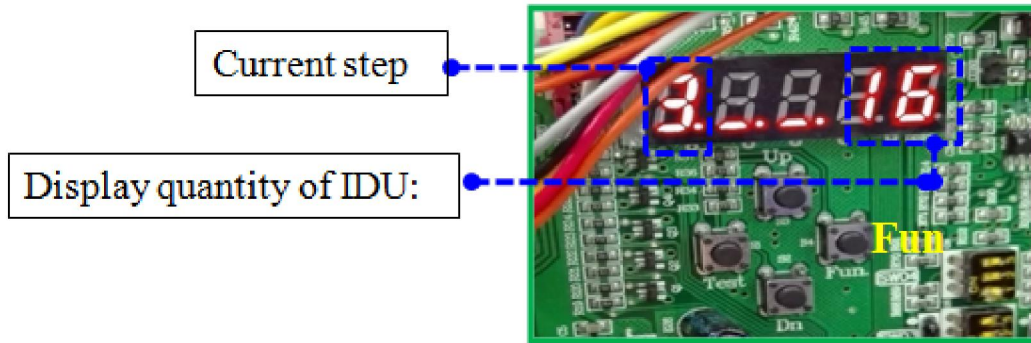
3.3.2 Quantity locking of ODU

Digital tube displays “2.0000” (the left means 2nd step, the right display the quantity of outdoor units), if display quantity and actual quantity are inconsistent, need to conduct manual check (DIP address, communication cable and etc.) and commissioning confirmation again. If they are consistent, short press “Fun” button to confirm, digital tube displays like “2.0001”, 2 s later, enter step 3.



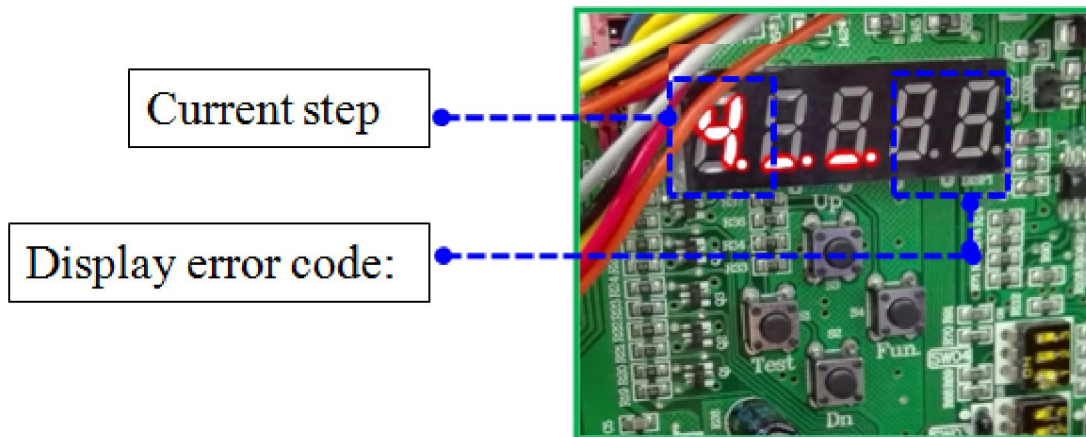
3.3.3 Quantity locking of IDU

Digital tube displays “3.0000” (the left means 3rd step, the right shows the quantity of indoor units), if display quantity and actual quantity are inconsistent, need to conduct check (power and communication cable of indoor units, and etc.) commissioning confirmation again. If they are consistent, short press “Fun” button to confirm. digital tube displays like “3.0001”, 2 s later, enter step 4.



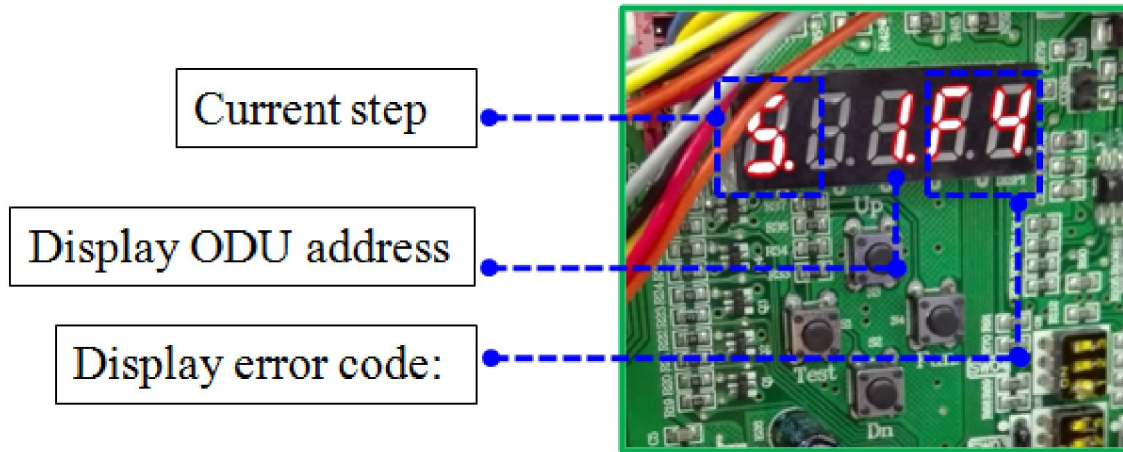
3.3.4 Confirmation of the internal communication of ODUs

Automatically detects the communication between master controller and driver; after 2 s, if the communication with the fan drive is faulty, it displays “4.0000”, all buttons are invalid, cannot enter the next judgment; if it is normal, then the module displays “4.0000”. If the internal communication of outdoor electronic control box is normal, then conduct system indoor and outdoor units ratio test, if it is out of range, display “4.0000”, if ratio is normal, 2 s later, enter the next step.



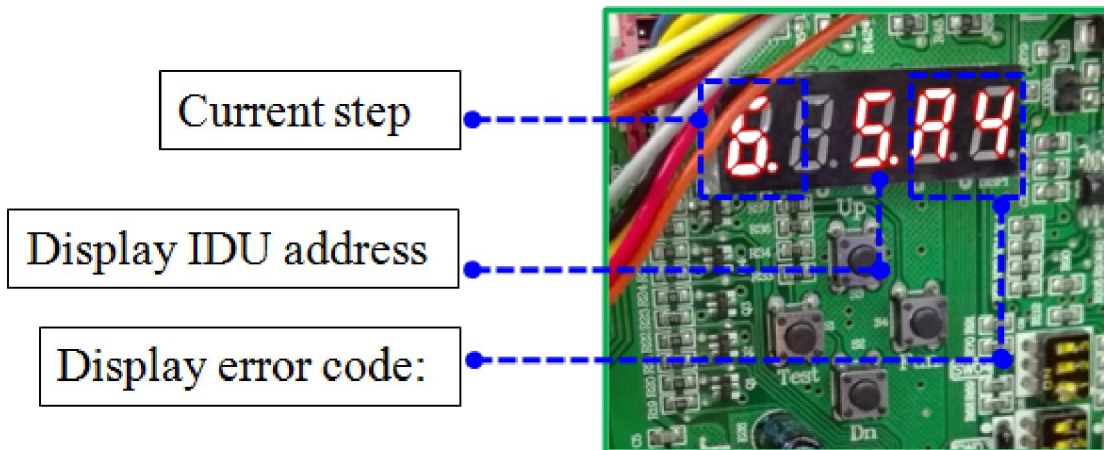
3.3.5 Confirmation of the internal components of ODUs

Automatically check components of outdoor units, being detected, display “5.0000”, if it’s failure, then corresponding failure displays, for example, “5.001F4”; the left means step 5, the middle is the faulty outdoor unit’s address, the last two is fault code. only displays the fault with the highest priority. If all failure are solved, display normally; in case that several modules occur faults, displays the fault codes in turn by address order. It cannot enter the next judgment; If all faults are solved, digital tube displays “5.0000”, 2 s later, enter step 6.



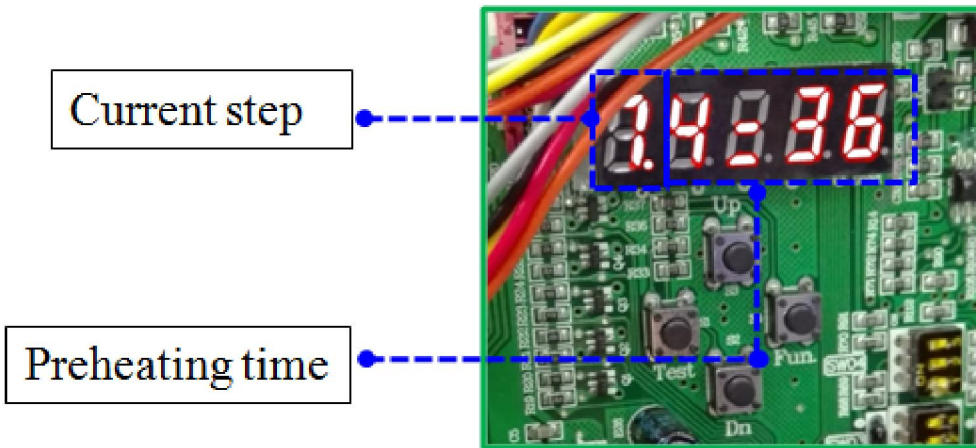
3.3.6 Adjustment on the components of IDUs

Digital tube displays “5.0.0.0.0”, If one indoor unit occurs a fault, display project number circularly, and the fault code like “5.0.5.0.4”. If several indoor unit occur faults, display the addresses and the fault code circularly. At that moment, all buttons are invalid, cannot enter the next step. If no fault, digital tube displays “5.0.0.0.0”, 2 s later, enter step 7.



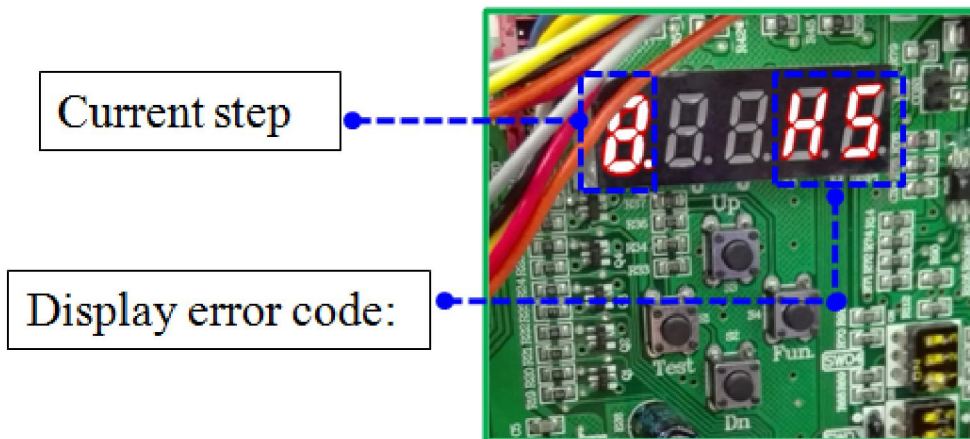
3.3.7 Confirmation and adjustment of compressor preheating

If the outdoor unit has been continuously energized for more than 6 hours, displays “7.0.0.0.0”, means the completion of preheating, 2 s later, enter step 8. Otherwise display “7.4.3.3.6”, The first digit means step 7, the rest indicates preheating time(hour : min). Short press “Fun” button, can skip waiting and enter step 8.



3.3.8 Refrigerant judgment before starting

Refrigerant judgment, display “**8.8.8.8.8**”. If any [module low pressure P s] -25 , then point out refrigerant lack protection, display “**8.8.8.H5**”, all buttons are invalid, it required to check if the system refrigerant is normal, or there is any leakage. If it is normal, display “**8.8.8.8.8**”, 2 s later, enter step 9.



3.3.9 Status judgment on outdoor unit valve before starting

The status judgment of outdoor unit valve “**9.8.8.8.8**”, 2sec later, enter the next step.

3.3.10 Confirmation of start commissioning

This step, displays “**10.8.8.8.8**”, waiting for start commissioning. Press “Fun” button to start, automatically select operating mode according to outdoor environment temperature: ≥ 20 , running cooling model; <20 , running heating model. 2 s later, automatically enter the next step(step11 or step 12), digital tube displays “**10.8.8.8.8**”.

3.3.11 Cooling operation

Refrigerating operation, all indoor units run in 16 & high speed, digital tube displays “11.8888”. In the operation, if it's failure, displays' Err' and fault code,like “ErrE3”. 20min later, or accumulated for 25min, if the system is not abnormal, displays “11.8888”, after 5s, enters normal standby status “1.8888” or locking “LoC.8”.Project commissioning is finished.

3.3.12 Heating operation

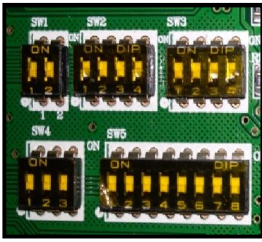
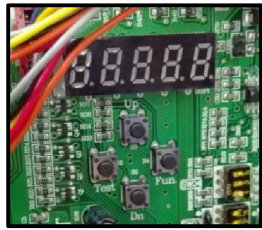
Heating operation, all indoor units run in 30 & high speed, digital tube displays “12.8888”, after 10min, if it is normal, display will not change. 20min later, or accumulated for 25min, if the system is not abnormal, displays “12.8888”, after 5s, enters normal standby status “1.8888” or locking “LoC.8”.Project commissioning is finished.

4. Function and Parameter

4.1 Function introduction

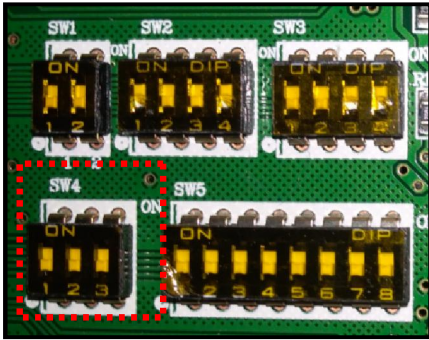
List of Functions show in the table, can be set in 2 ways :

- (1)、 by dial switch (turn off –on the power after you change the Switch) .
- (2)、 by Key button options.

Function names	setting method	Switch/ Key options
Compressor emergency	 <p style="text-align: center;">switch</p>	SW4-1、 2
Modular(ODU)emergency		SW4-3
Silent (Quiet)		SW5-1、 2
Model priority (Majority rule)		SW5-3、 4
Static pressure		SW5-5、 6
IDU/ODU capacity rate	 <p style="text-align: center;">Key button options</p>	1
Clean (Auto dust removal)		2
VER(variable energy-efficiency regulation)		3
Blow off snow(Auto snow-blowing)		4
Vacuum pumping		5
Economic locking (26)		6
Refrigerant recycle		7
Refrigerant charging		8

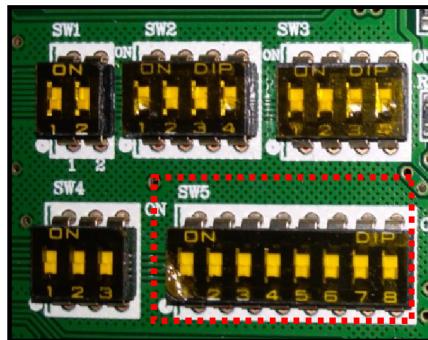
4.1.1 Functions set by switch

Function setting-SW4



1	2	Function	3	Function
OFF	OFF	Without Compressor emergency(Default)	OFF	Without modular emergency(Default)
OFF	ON	1# Compressor emergency	ON	modular emergency
ON	OFF	2# Compressor emergency		
ON	ON	3# Compressor emergency		

Function setting-SW5



1	2	Function	3	4	Function	5	6	Function	7	8
OFF	OFF	Without quiet mode(Default)	OFF	OFF	First-ON (Default)	OFF	OFF	static pressure 0 Pa(Default)	Reserve	
OFF	ON	Quiet in night	OFF	ON	Heating priority	OFF	ON	20 Pa		
ON	OFF	Quiet mode	ON	OFF	Cooling priority	ON	OFF	50 Pa		
ON	ON	Super quiet mode	ON	ON	Majority rule	ON	ON	80 Pa		

Notice :

- | In the table, “OFF” means switch to down , “ON” means switch to up .
- | When you want to change any set, please consult our factory first.
- | When you set Compressor or modular emergency, please close the Gas/Liquid valve of the ODU, and solve the problem within 24-48h,because the emergency cannot work long time. After solved the problem, please cancel emergency setting, others the ODU cannot run.

4.1.2 Functions set by Key button options

Function names	Memory	Instructions
IDU/ODU capacity rate	Y	Set max IDU/ODU rate allowed
Clean (Auto dust removal)	N	Outdoor fan run in special model to clean the condenser
VER(variable energy-efficiency regulation)	Y	3 types of different evaporate temperature : normal, energy saving, comfort
Blow off snow(Auto snow-blowing)	Y	Setting snow-blowing time cycle, Outdoor fan run in special model to snow-blowing
Vacuum pumping	N	Automatic control of each valve component of the system,
Economic locking (26)	Y	IDUs set temperature is locked at26
Refrigerant recycle	N	The refrigerant is recycled to the outdoor unit
Refrigerant charging	N	Automatically determine whether the refrigerant is filled up(by detecting pressure)

Notice :

- I In the table, memory “Y” means long-term effective after each setting ,
- Memory “N” means 1 time effective after each setting .

4.2 Parameter Checking and Setting

4.2.1 Parameter checking and parameter setting interface

After commissioning, the system is standing-by.

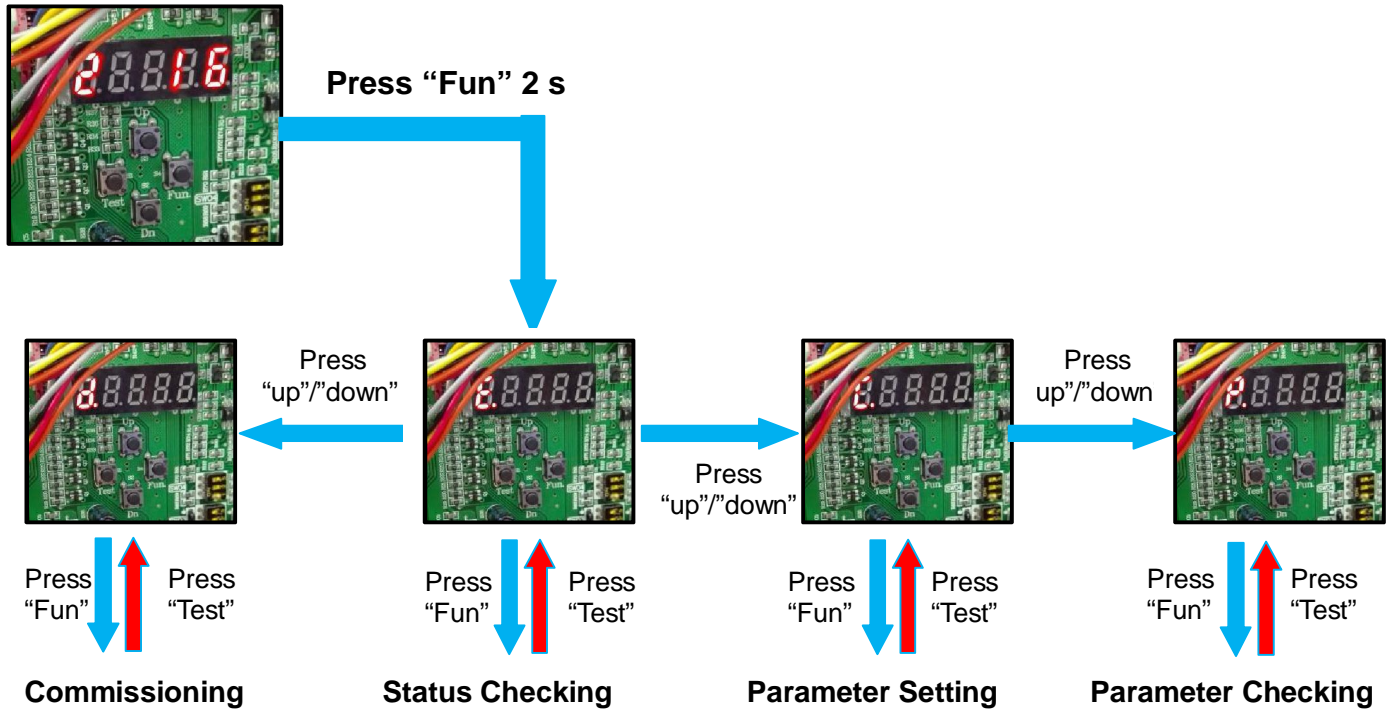
1st step--- Press “Fun” key for 2 s, the Main digital tube will displays parameter checking and parameter setting interface:

1. 【 Status Checking “E8888” (flash) 】 、
2. 【 Parameter Checking “P8888” (flash) 】 、
3. 【 Parameter Setting “L8888” (flash) 】 、
4. 【 Commissioning “d8888” (flash) 】 、
5. 【 Restore to factory setting “r8888” (flash) 】

2st step---Press “Up” or “Down” key to choose the function you want,

3st step---Press “Fun” entre the Parameter checking and parameter setting.

Sketch Map:



4.2.2 Status Checking

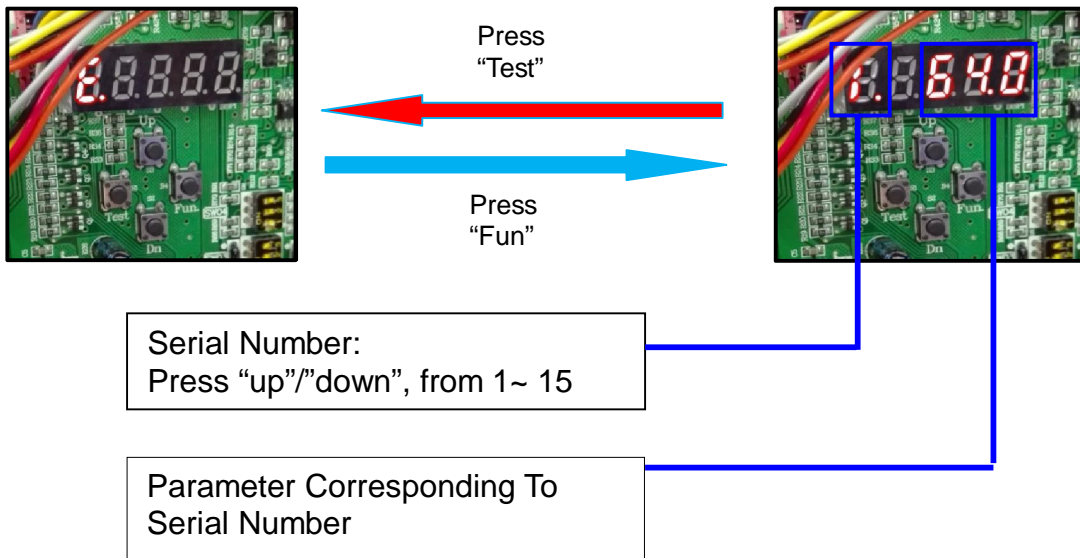
Choose Status Checking “E8888”, press Fun key into the 2nd step, then you can check the running status of the system, like frequency of compressor and so on.

For example : Digital tube displays like 1.640, means parameter name corresponding No.1, 640 means the parameter is 64. whole means frequency of comp 1 is 64rps.

Parameter corresponding to serial number:

No	parameter name	units	No	parameter name	units
1	freq of 1# comp	rps	9	ODU environment temp.	0.1
2	freq of 2# comp	rps	10	Suction temp.	0.1
3	Open degree of PMV1	pls	11	Tci1(outlet of condenser 1)	0.1
4	Open degree of PMV2	pls	12	Tci1(outlet of condenser 2)	0.1
5	High press sensor-Temp.	0.1	13	Tdef1(defrost temperature)	0.1
6	Low press sensor-Temp.	0.1	14	Tdef2(defrost temperature)	0.1
7	Dis-Temp. of 1# comp	0.1	15	Edition of procedure	/
8	Dis-Temp. of 1# comp	0.1			

Sketch Map:



4.2.3 Parameter Checking

In the 1st step---Main menu , choose Parameter Checking“P.8.8.8.8” , and press Fun key , then you can check parameter of some functions by choosing the number in the table below.

For example : Digital displays like“P.8.8.8.8”(P-light,1-shane) ,then press Fun key to the down step,it will show you a parameter like”8.8.8.135”,means the max rate of IDU/ODU (No 1) is 135%.


Serial Number	function name	remember
1	IDU/ODU capacity rate	Y
3	VER(variable energy-efficiency regulation)	Y
4	Blow off snow(Auto snow-blowing)	Y
6	Economic locking (26)	Y

4.2.4 Parameter Setting

In the 1st step---Main menu ,choose Parameter Setting“E.8.8.8.8” ,press Fun key ,then you can set some Function/Parameter you want by choosing the Function Number.

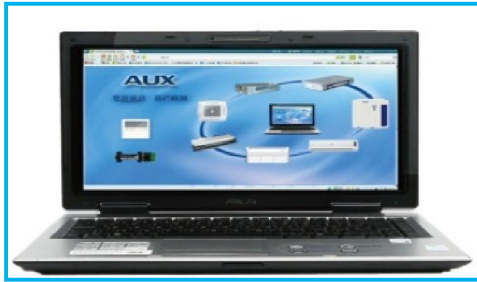
For example :Digital displays“ E.8.8.8.8 ” (C-light,1-shane), press Up or Down key to choose the number of function you want, then press Fun key to get into down step to set if it’s need.

Change the setting by pressing Up or Down key ,then Fun key to confirm. The function name and number show in the table below.

Function names				Notice
	1st step	2nd step	3rd step	
	Main menu	Serial Number	Parameter Setting	
IDU/ODU capacity rate		1	135 : IDU/ODU 135% 200 : IDU/ODU 200%	135 is default , when you change it , it will influence the comfort , please consult our factory first.
Clean (Auto dust removal)		2	/	Choose the number at 2nd step and confirm , the outdoor fan will run immediately , only one time.
VER(variable energy-efficiency regulation)		3	Choose number to set model 0 : basic mode 1 : high efficiency 2 : turbo mode	0 is default ,when you change it ,it will influence the comfort or power consumption
Blow off snow(Auto snow-blowing)		4	Choose number to set cycle 0 : without this function 1 : 0.5h 2 : 1h 3 : 3h 4 : 10h	After pressing Fun key to confirm , the outdoor fan will run to blowing off snow automatically and cycle by cycle , if you choose 1、 2、 3、 4
Vacuum pumping		5	/	Choose the number at 2nd step and confirm , the ODU will be ready for Vacuum pumping.If set on the Master unit , the system.
Economic locking (26)		6	Choose number to set model 0 : without this function 1 : lock 20/26	If choose 1 , the IDU setting temperature will be locked at 20 in heating model and 26 in cooling model at any time.
Refrigerant recycle		7	/	Recycle refrigerant to ODU
Refrigerant charging		8	/	Automatically determine whether the refrigerant is filled up(by detecting pressure)requires

5. Commissioning Based on Monitoring Software

5.1 Accessory of the monitoring software

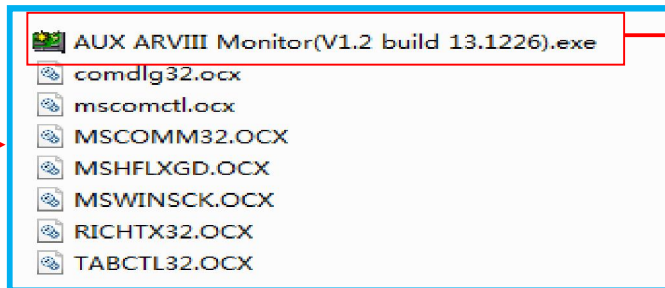
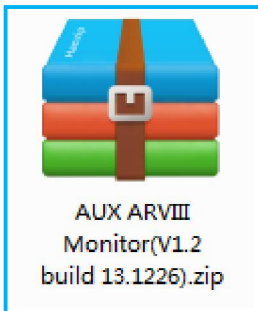


Laptop



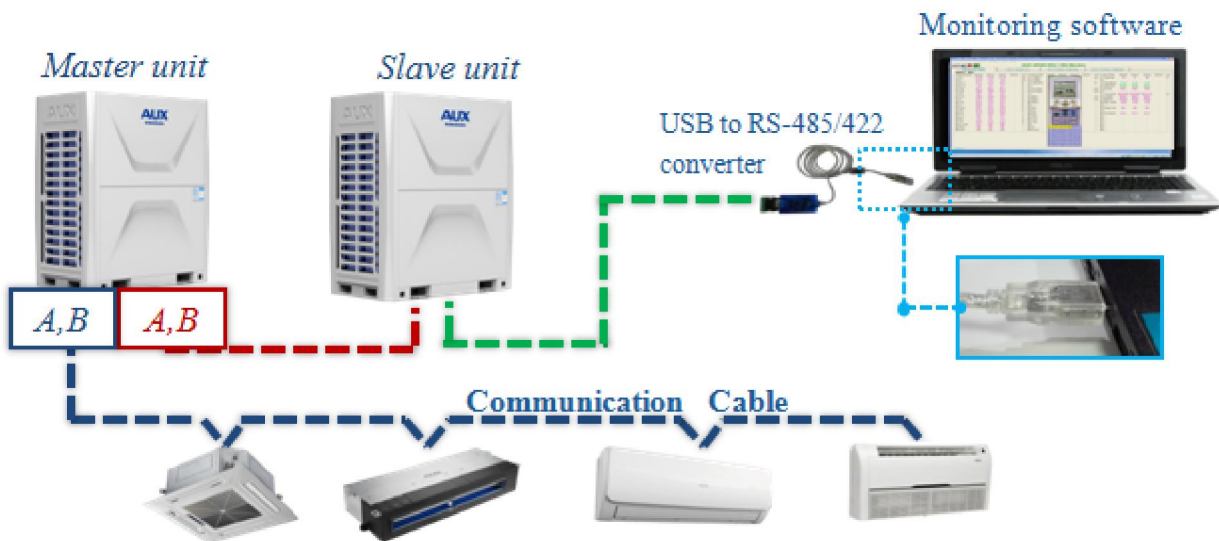
USB to RS485 converter

5.2 Monitoring software



Click here to open the software

5.3 Installation Diagram



5.4 Introduction of the operation interface of AUX monitoring software

5.4.1 Outdoor Unit List

Display quantity of OUDs, "3/4" means: A system has 4 OUDs, 3 of them are running, 1 of them is standby

Param(Input)	Master	Slave1	Slave2	Slave3	Unit	Param(OutP)	Master	Slave1	Slave2	Slave3	Unit	Param(SW)	Master	Slave1	Slave2	Slave3	Unit
(1) Pd	-	-	-	-	bar	(1) COMPa	-	-	-	-	rps	(1) Capacity	-	-	-	-	HP
(2) Ps	-	-	-	-	bar	(2) COMPb	-	-	-	-	---	(2) ---	-	-	-	-	---
(3) Pd_t	-	-	-	-	°C	(3) OutputPer	-	-	-	-	%	(3) OperMode	-	-	-	-	---
(4) Ps_t	-	-	-	-	°C	(4) ---	-	-	-	-	---	(4) OperProc	-	-	-	-	---
(5) Tda	-	-	-	-	°C	(5) Fan1Spd	-	-	-	-	rpm	(5) Priority	-	-	-	-	---
(6) Tdb	-	-	-	-	°C	(6) Fan2Spd	-	-	-	-	rpm	(6) ---	-	-	-	-	---
(7) Tdc	-	-	-	-	°C	(7) ---	-	-	-	-	---	(7) CompTim	-	-	-	-	sec
(8) Tcm	-	-	-	-	°C	(8) PMV1	-	-	-	-	pls	(8) FreqRZ	-	-	-	-	---
(9) Ts	-	-	-	-	°C	(9) PMV2	-	-	-	-	pls	(9) PMVRZ	-	-	-	-	---
(10) Tao	-	-	-	-	°C	(10) PMV3	-	-	-	-	---	(10) PMV_SHS	-	-	-	-	---
(11) Tci	-	-	-	-	°C	(11) ---	-	-	-	-	---	(11) ---	-	-	-	-	---
(12) Tdef	-	-	-	-	°C	(12) SV0	-	-	-	-	---	(12) DiagCode	-	-	-	-	---
(13) Tfin	-	-	-	-	°C	(13) SV1	-	-	-	-	---	(13) ---	-	-	-	-	---
(14) lcm	-	-	-	-	A	(14) SVA	-	-	-	-	---	(14) FirmwRev	-	-	-	-	---
(15) CT1	-	-	-	-	A	(15) SVB	-	-	-	-	---	(15) ---	-	-	-	-	---
(16) Ifan	-	-	-	-	A	(16) CHa	-	-	-	-	---	(16) ---	-	-	-	-	---
(17) CR	-	-	-	-	%	(17) CHb	-	-	-	-	---	(17) ---	-	-	-	-	---
(18) DCvolt	-	-	-	-	V	(18) ---	-	-	-	-	---	(18) ---	-	-	-	-	---
(19) HPa	-	-	-	-	---	(19) LP	-	-	-	-	---	(19) ---	-	-	-	-	---
(20) HPb	-	-	-	-	---	(20) PCCtl	-	-	-	-	---	(20) ---	-	-	-	-	---

Outdoor units' operation parameter abbreviation

5.4.1 Indoor Unit List

Display the address of an indoor unit;
 Display an indoor unit's operation parameter value

Display quantity of indoor units, "8/10" means: A system has 10 indoor units, 8 of them are running, 2 of them are standby

Indoor [1] Info.

ParaName	ParaVal	ParaName	ParaVal	ParaName	ParaVal	ParaName	ParaVal	ParaName	ParaVal	ParaName	ParaVal	ParaName	ParaVal	ParaName	ParaVal
ModelMark	-	FirmwRev	-	OnOffCmd	-	SwingCmd	-	Tai	-	SHS	-	PMV	-	Heater	-
Capacity	-	CapReq	-	ModeCmd	-	HealthCmd	-	Te1	-	SCS	-	AC Fan	-	PCCT	-
WCAddr	-	Rsvd	-	Tset	-	HeaterCmd	-	Te2	-	FloatSW	-	PG Fan	-	Prot_C&H	-
CCAddr	-	Rsvd	-	FanCmd	-	SleepCmd	-	Tem	-	RoomCard	-	DrainPump	-	DiagCode	-

IndoorID	Capacity	OnOffCmd	CapReq	Tai	Te1	Te2	Tem	SHS	SCS	PMV	AC Fan	DrainPump	Heater	Health	Swing	RoomCard	FloatSW	Prot_C&H	Quiet	Model
Unit 46																				
Unit 47																				
Unit 48																				
Unit 49																				
Unit 50																				
Unit 51																				
Unit 52																				
Unit 53																				
Unit 54																				
Unit 55																				
Unit 56																				
Unit 57																				
Unit 58																				
Unit 59																				
Unit 60																				
Unit 61																				
Unit 62																				
Unit 63																				
Unit 64																				

Indoor units' operation parameter abbreviation

Display indoor units' address, a system's max quantity of indoor units is 64.

Operation Parameter Abbreviation

No.	Operation Parameter Abbreviation	Detailed information
1	Pd	Discharge pressure
2	Ps	Suction pressure
3	Pd_t	Saturation temperature under discharge pressure
4	Ps_t	Saturation temperature under suction pressure
5	Tda	DC inverter compressor a discharge temperature
6	Tdb	DC inverter compressor b discharge temperature
7	Tcm	Temperature of middle point of condenser
8	Ts	Temperature of main suction pipe
9	Tao	Outdoor ambient temperature
10	Tci1	Total gas collecting tube 1 temperature
11	Tci2	Total gas collecting tube 2 temperature
12	Tdef1	Defrosting temperature of condenser 1
13	Tdef2	Defrosting temperature of condenser 2
14	Tfin	DC inverter compressor drive module temperature
15	Icm	DC inverter compressor running current
16	COMPa	DC inverter compressor a rotate speed
17	COMPb	DC inverter compressor b rotate speed
18	Fan1Spd	Fixed speed fan motor rotate speed
19	Fan2Spd	Fixed speed fan motor rotate speed
20	PMV1	Electronic expansion valve 1
21	PMV2	Electronic expansion valve 2
22	LP	Low pressure switch
23	Hpa	DC inverter compressor high pressure switch
24	PC	Manual control
25	CHa	Crankcase heater of DC inverter compressor
26	SV1	Unloading valve
27	SV0	Four-way valve
28	Process Sequence	Process sequence
29	Operation Process	Operation process
30	Operation Mode	Operation mode
31	Operation Priority	Operation priority
32	Outdoor Address	Outdoor address


33	Compressor Operation Time	Compressor operation time
34	Error Grade	Error grade
35	Diagnostic Code	Diagnostic Code
36	Frequency Adjusting Status	Frequency adjusting status
37	Frequency Limited Reason	Frequency limited reason
38	Fan Speed Grade	Fan speed grade
39	Type outdoor unit	Type of outdoor unit
40	Capacity	Capacity
41	Firmware Edition	Firmware edition
42	Firmware Date	Firmware date
43	Output Percentage	Output percentage
44	INV Malfunction	DC inverter drive module malfunction
45	Aimed Output Ratio	Aimed output ratio
46	Mode Command	Mode command
47	Priority	Priority command
48	Process Command	Process Command
49	Sequence Command	Sequence command
50	Output Percentage	Output percentage command
51	Malfunction Command	Malfunction command
52	Compression Ratio	Compression ratio
53	Ics	DC inverter compressor busbar current
54	Vcs	DC inverter compressor busbar voltage
55	Operation Sequence	Operation sequence
56	Operation Process	Operation process
57	Defrosting Ratio	Defrosting ratio
58	Load rate indoor	Load rate of indoor unit
59	TIME oil return	Accumulation time of oil returning
60	Result charging	Refrigerant charging result
61	Judge charging	Refrigerant charging judging
62	Tset	Set Temperature
63	ON/OFF	Operation status
64	Running Mode	Running mode
65	Fan Speed	Fan speed
66	Swing Mode	Swing mode
67	Tai	Temperature of indoor ambient

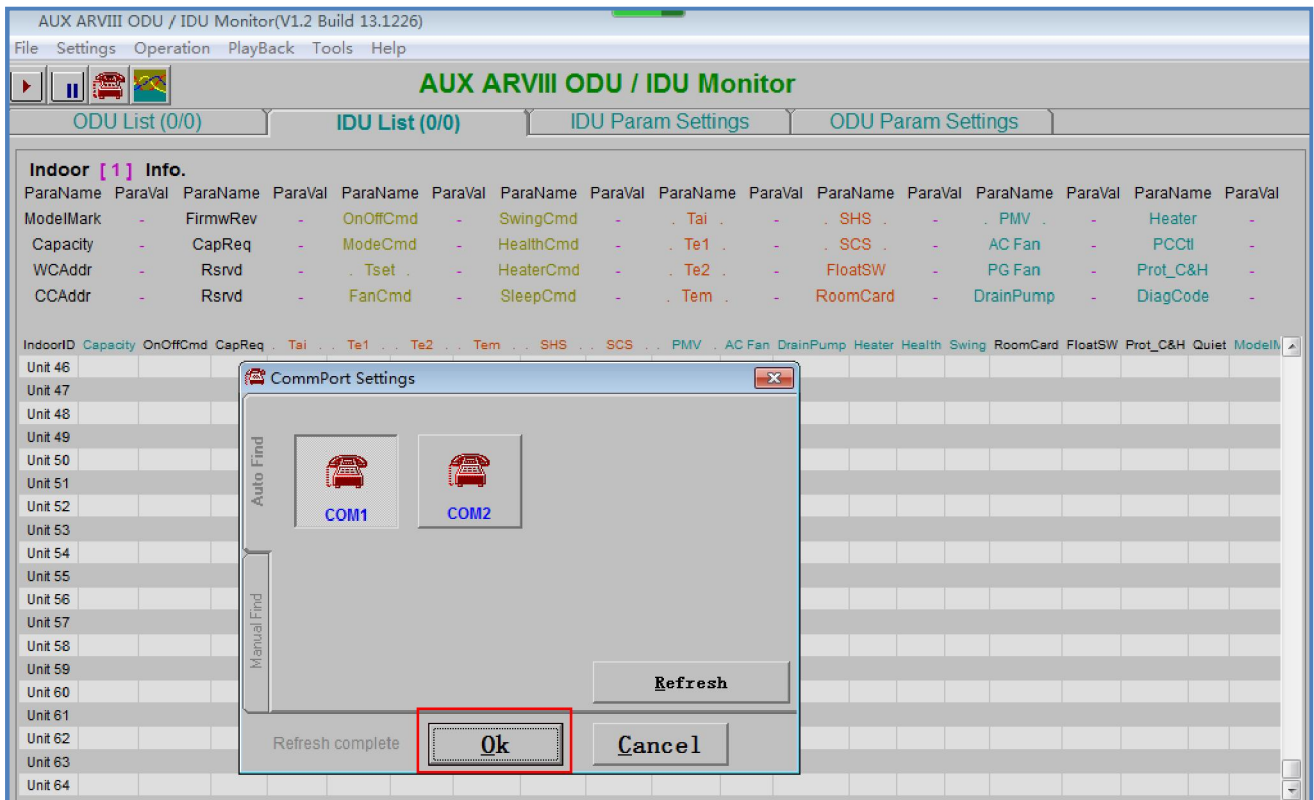
68	Type of indoor unit	Type of indoor unit
69	Capacity	Capacity
70	Te2	Refrigerant inlet temp. of indoor coil in cooling mode
71	Te1	Refrigerant outlet temp. of indoor coil in cooling mode
72	User Authority	User authority
73	Rmd	Room card
74	Float	Float switch
75	Protection_C	Anti-freezing protection under cooling/
76	Protection_H	overheating protection under heating
77	Qut	Quiet Operation
78	Tem	Temperature of middle point of indoor coil
79	PG Fan Motor	PG fan motor
80	AC Fan Motor	AC fan motor
81	Swg	Swing
82	Pmp	Drainage pump
83	Htr	Electric heater
84	Hlt	Health function
85	PC	Personal control
86	Power wired controller	Power supply for wired controller
87	SHS	Degree of superheat
88	Diagnostic Code	Diagnostic Code
89	Capacity Need	Capacity need
90	SCS	Degree of sub-cooling
91	Pulse EXV	Electronic expansion valve open pulse

5.5 Example

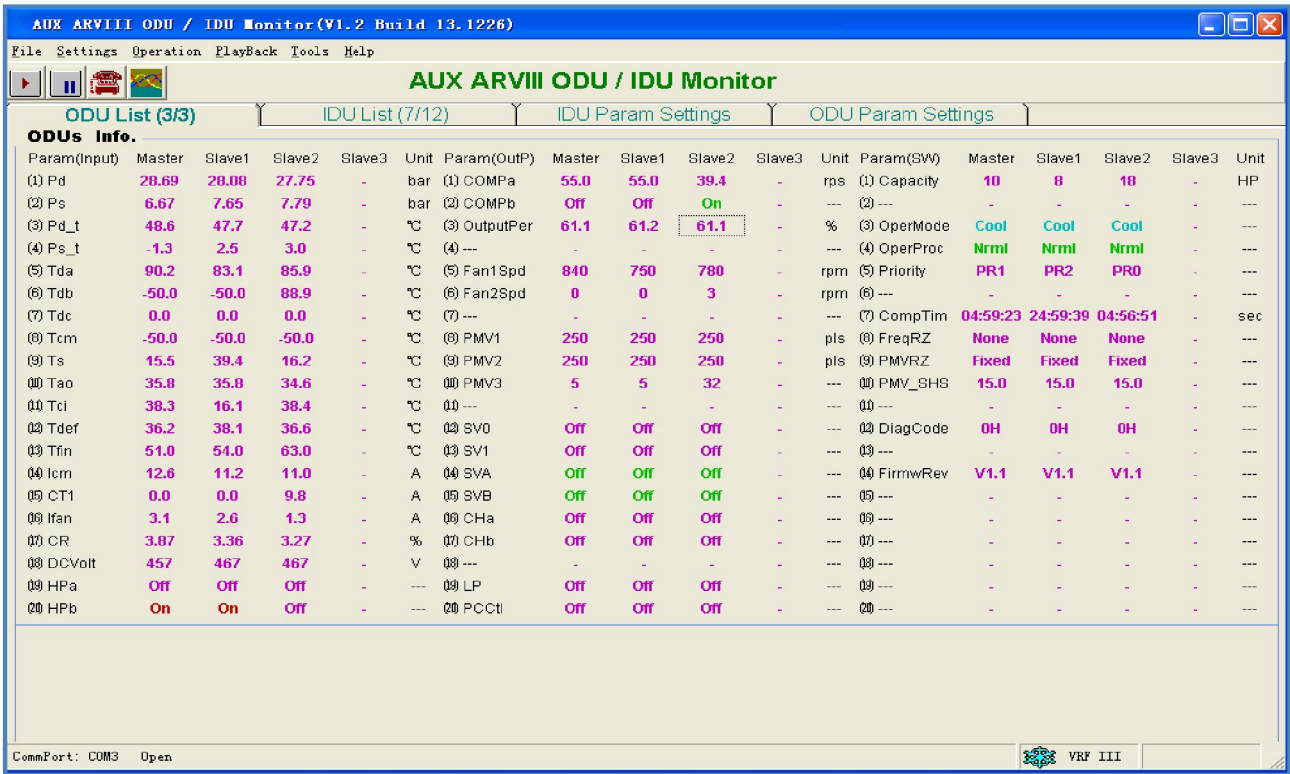
- 1) After finishing wiring of indoor and outdoor units, connect the monitoring tool to the outdoor unit;
- 2) Switch on the power supply, start the monitoring software, confirm whether the communication between outdoor and indoor units is normal, as well as address of indoor units.
- 3) Start up the indoor units one by one in cooling mode, observe the system operation situation according to monitoring software.



- 4) Click  to choose the right communication port



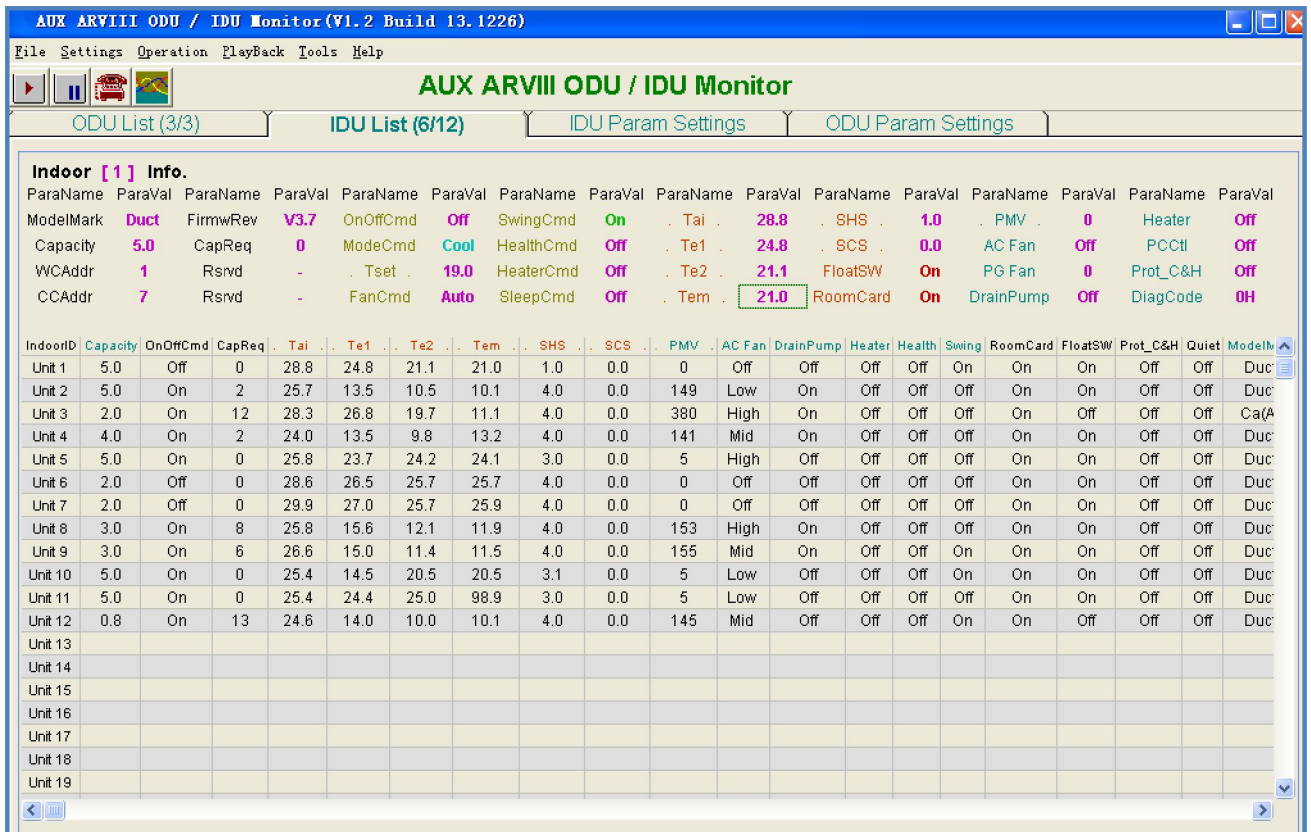
- 5) Click the start button  "to monitor the system
Check the parameter of the outdoor units



The screenshot shows the 'AUX ARVIII ODU / IDU Monitor' application window. The 'ODU List (3/3)' tab is active, displaying a table of outdoor unit parameters for Master, Slave1, Slave2, and Slave3 units. The table includes parameters such as Pd, Ps, Pd_t, Ps_t, Tda, Tdb, Tdc, Tcm, Ts, Tao, Tci, Tdef, Tfin, lcm, CT1, lfan, CR, DCVolt, HPa, and HPb, along with their corresponding units and values.

Param(Input)	Master	Slave1	Slave2	Slave3	Unit	Param(OUTP)	Master	Slave1	Slave2	Slave3	Unit	Param(SW)	Master	Slave1	Slave2	Slave3	Unit
(1) Pd	28.69	28.08	27.75	-	bar	(1) COMPa	55.0	55.0	39.4	-	rps	(1) Capacity	10	8	18	-	HP
(2) Ps	6.67	7.65	7.79	-	bar	(2) COMPb	Off	Off	On	-	---	(2)---	-	-	-	-	---
(3) Pd_t	48.6	47.7	47.2	-	°C	(3) OutputPer	61.1	61.2	61.1	-	%	(3) OperMode	Cool	Cool	Cool	-	---
(4) Ps_t	-1.3	2.5	3.0	-	°C	(4)---	-	-	3.0	-	---	(4) OperProc	Nrml	Nrml	Nrml	-	---
(5) Tda	90.2	83.1	85.9	-	°C	(5) Fan1Spd	840	750	780	-	rpm	(5) Priority	PR1	PR2	PR0	-	---
(6) Tdb	-50.0	-50.0	88.9	-	°C	(6) Fan2Spd	0	0	3	-	rpm	(6)---	-	-	-	-	---
(7) Tdc	0.0	0.0	0.0	-	°C	(7)---	-	-	-	-	---	(7) CompTim	04:59:23	24:59:39	04:56:51	-	sec
(8) Tcm	-50.0	-50.0	-50.0	-	°C	(8) PMV1	250	250	250	-	pls	(8) FreqRZ	None	None	None	-	---
(9) Ts	15.5	39.4	16.2	-	°C	(9) PMV2	250	250	250	-	pls	(9) PMVRZ	Fixed	Fixed	Fixed	-	---
(10) Tao	35.8	35.8	34.6	-	°C	(10) PMV3	5	5	32	-	---	(10) PMV_SHS	15.0	15.0	15.0	-	---
(11) Tci	38.3	16.1	38.4	-	°C	(11)---	-	-	-	-	---	(11)---	-	-	-	-	---
(12) Tdef	36.2	38.1	36.6	-	°C	(12) SV0	Off	Off	Off	-	---	(12) DiagCode	0H	0H	0H	-	---
(13) Tfin	51.0	54.0	63.0	-	°C	(13) SV1	Off	Off	Off	-	---	(13)---	-	-	-	-	---
(14) lcm	12.6	11.2	11.0	-	A	(14) SVA	Off	Off	Off	-	---	(14) FirmwRev	V1.1	V1.1	V1.1	-	---
(15) CT1	0.0	0.0	9.8	-	A	(15) SVB	Off	Off	Off	-	---	(15)---	-	-	-	-	---
(16) lfan	3.1	2.6	1.3	-	A	(16) CHa	Off	Off	Off	-	---	(16)---	-	-	-	-	---
(17) CR	3.87	3.36	3.27	-	%	(17) CHb	Off	Off	Off	-	---	(17)---	-	-	-	-	---
(18) DCVolt	457	467	467	-	V	(18)---	-	-	-	-	---	(18)---	-	-	-	-	---
(19) HPa	Off	Off	Off	-	---	(19) LP	Off	Off	Off	-	---	(19)---	-	-	-	-	---
(20) HPb	On	On	Off	-	---	(20) PCCtl	Off	Off	Off	-	---	(20)---	-	-	-	-	---

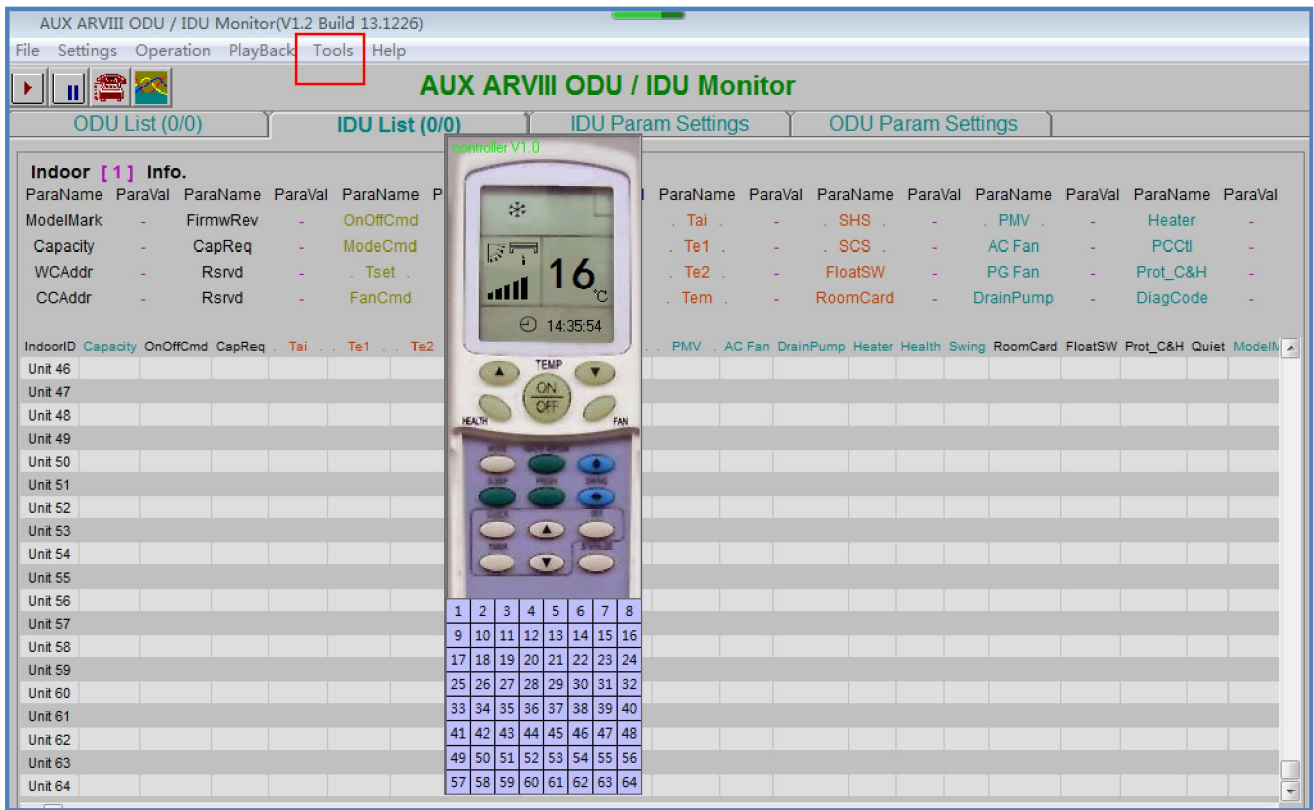
Check the parameter of indoor units



The screenshot shows the 'AUX ARVIII ODU / IDU Monitor' application window. The 'IDU List (6/12)' tab is active, displaying a table of indoor unit parameters for 19 units. The table includes parameters such as ModelMark, Capacity, WCAddr, CCAddr, OnOffCmd, CapReq, Tai, Te1, Te2, Tem, SHS, SCS, PMV, AC Fan, DrainPump, Heater, Health, Swing, RoomCard, FloatSW, Prot_C&H, Quiet, and ModelMark.

ParaName	ParaVal	ParaName	ParaVal	ParaName	ParaVal	ParaName	ParaVal	ParaName	ParaVal	ParaName	ParaVal	ParaName	ParaVal	ParaName	ParaVal
ModelMark	Duct	FirmwRev	V3.7	OnOffCmd	Off	SwingCmd	On	Tai	28.8	SHS	1.0	PMV	0	Heater	Off
Capacity	5.0	CapReq	0	ModeCmd	Cool	HealthCmd	Off	Te1	24.8	SCS	0.0	AC Fan	Off	PCCtl	Off
WCAddr	1	Rsvd	-	Tset	19.0	HeaterCmd	Off	Te2	21.1	FloatSW	On	PG Fan	0	Prot_C&H	Off
CCAddr	7	Rsvd	-	FanCmd	Auto	SleepCmd	Off	Tem	21.0	RoomCard	On	DrainPump	Off	DiagCode	0H

Use the central controller to control the indoor units .



No.	observe parameters of indoor and outdoor units	Normal State
1	Is there anything wrong with indoor units	None
2	Whether indoor unit blows air at normal air speed.	It blows out cool air at set air speed.
3	Whether there is abnormal noise in indoor and outdoor units	no abnormal noise
4	Whether ambient temperature, inlet temperature of coil pipe, midpoint temperature of coil pipe and outlet temperature of coil pipe of indoor units are normal	Within the allowable range of allowable error
5	Whether the electronic expansion valve of indoor unit is normal	Opening degree is available in case of startup. The EXV can be closed normally.
6	Whether there is anything wrong with outdoor units	None
7	Whether the frequency of compressor is normal	The compressor operates in automatic frequency
8	Whether the outdoor fan motor is normal.	The fan motor operates in automatic speed.
9	Whether temperature sensor of outdoor unit is normal	Within the range of allowable error

6. IDU Parameter setting by Controller

6.1 Parameter Setting Items

No.	Parameter Setting Items	Default value	Min. value	Max. value	Remark
1	communication address of indoor unit	1	1	64	
2	centralized address of indoor unit	1	1	64	
3	address of wired controller of indoor unit	1	1	16	
4	model of indoor unit	1	0	35	01 50HZ Low ESP Duct (Drain Pump) ; 01 Mid ESP Duct (Drain Pump) ; 02 High ESP Duct (Within 60K) 02 High ESP Duct (2 Pipe system,22.28.45.54kw) 10 Cassette Unit C7 Type (09-18K) ; 10 DC Cassette Unit E Type (09-18K) ; 11 DC Cassette Unit (24-48K , MB12) ; 12. DC Mid ESP Duct 13 : Ceiling & Floor Unit 22 Fresh Air Processor (2 Pipe system,22.28.45.54kw) 23- AHU 24 Mid ESP Duct (Optional Drain Pump) 24 60HZ Low ESP Duct (Drain Pump) 24 DC E type Low ESP Duct (Drain Pump) 24 E type Low ESP Duct (Optional Drain Pump) 26 DC E type Low ESP Duct 28 One way cassette 30 Two way cassette 32 Wall - Mounted (L Type) 34 Fresh Air Processor (1Pipe system,22.28kw) 35 High ESP Duct (1 Pipe system,22.28kw)
5	capacity of indoor unit	8	1	100	280W/unit
6	priority of indoor unit	0	0	3	0--No priority 1--priority 1 2--priority 2 3--priority 3
7	heating temperature compensation of indoor unit	0	0	10	Unit:°C
8	auto restart function of indoor unit	1	0	1	0—Available 1--not available
9	room card selection	0	0	1	0--invalid room card

					1--valid room card
10	clearing time of filter net	5	1	5	500h/unit
11	operating mode displayed by wired controller	1	0	2	0--[auto][heating] [dehumidification][cooling][ventilation] 1--[heating] [dehumidification][cooling][ventilation] 2--[dehumidification][cooling][ventilation]
12	installation height of indoor unit	0	0	1	0-- installation height is lower than 2.7m 1--installation height is higher than 2.7m
13	switching between Celsius degree and Fahrenheit	0	0	1	0--Celsius degree 1--Fahrenheit
14	display of room temperature	0	0	1	0-- room temperature not to be displayed 1-- room temperature to be displayed
15	selection of room temperature	0	0	1	0-- temperature sensor of return air 1--temperature sensor of wired controller

Notice:

The above-mentioned data can be inquired through wired controller, centralized controller and monitoring software;

Function setting of the above-mentioned data can be changed through wired controller and centralized controller.

6.2 Parameter setting by YK – L

6.2.1 Enter the setting interface

Make sure the remote controller is off

Press the two white button at the down side simultaneously more than 10s to enter the address setting mode.

First, will display “ 1 ” , “ 1 ” ,

the above number means : series parameter number ,from 1~15

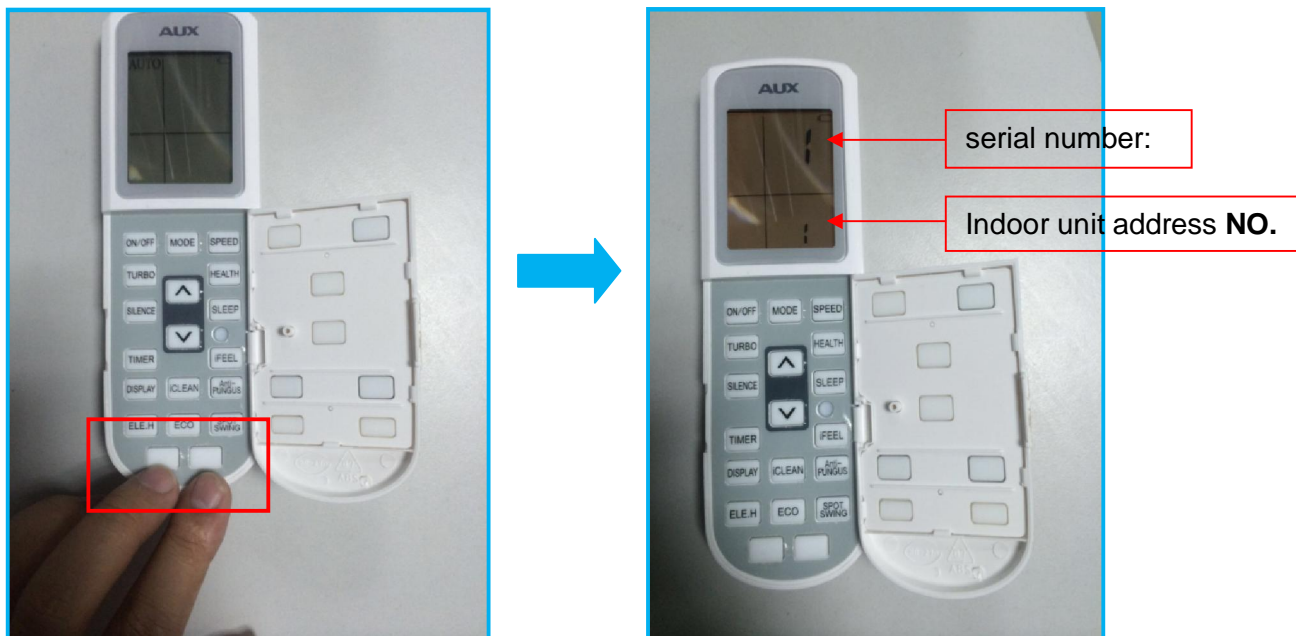
the below number means : Meaning of parameter correspondence

For example :

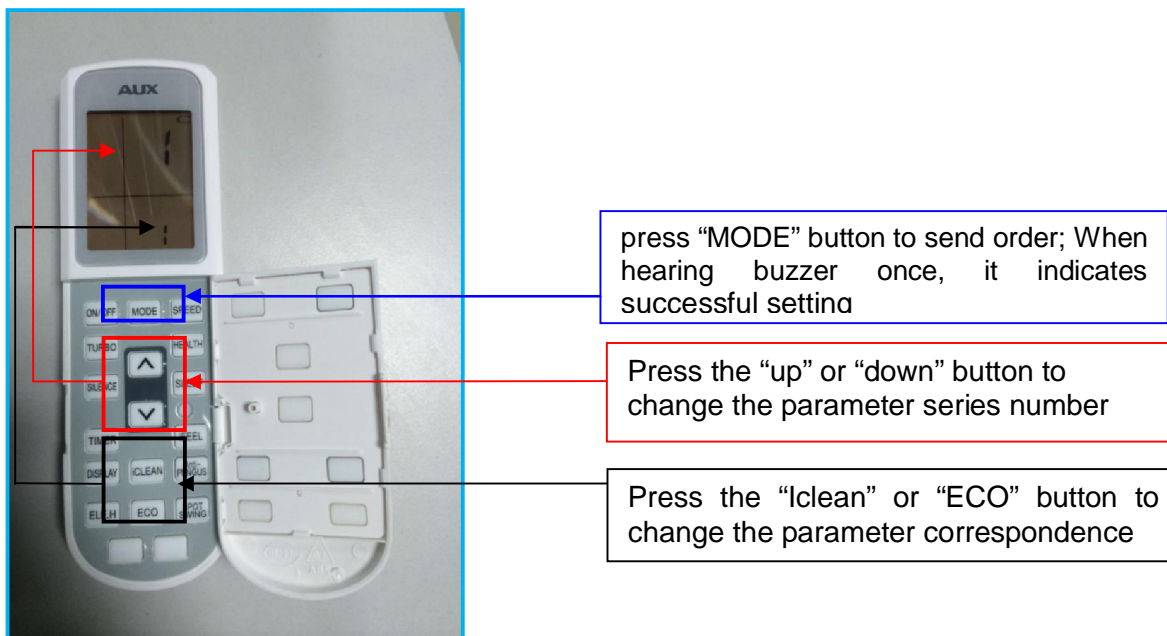
Check “6.1 Parameter Setting Items” for number of parameters and corresponding meaning.

“ 1 ” , “ 1 ” , the indoor unit’s address is 1#

“ 4 ” , “ 32 ” , the indoor unit’s type is [Wall - Mounted \(L Type \)](#)



6.2.2Parameter Setting



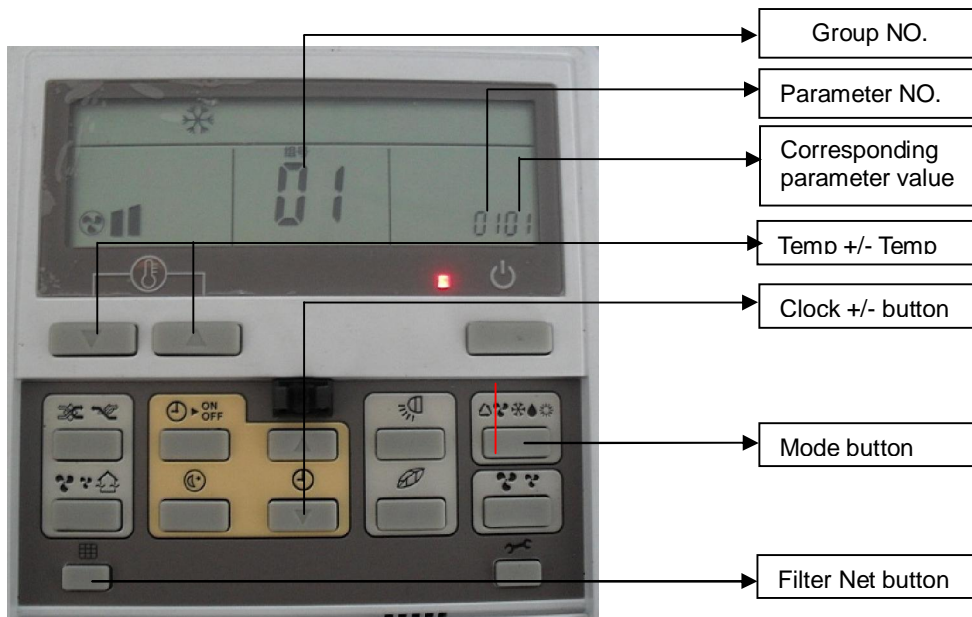
6.3 Parameter setting by XK-02A

6.3.1 Enter the setting interface

Press [Filter Net Button] for 5 seconds, group number “01” of wired controller will be displayed in temperature zone of LCD screen and “0101” will be displayed in timing setting zone of LCD screen.

“01” means that group number of wired controller is 1; “0101” means this indoor unit address is No. 1 .

Press [+/- Button of Time], “0201”, “0301”, “0401” “0510” will be displayed successively. Check “6.1 Parameter Setting Items” for number of parameters and corresponding meaning.



6.3.2 Parameter Setting

Go on with previous interface and change No. 1 indoor unit into No. 5 indoor unit:

Press [Filter Net Button] for 5 seconds, group number “01” of wired controller will be displayed in temperature zone of LCD screen and “0101” will be displayed in timing setting zone of LCD screen as shown in previous interface.

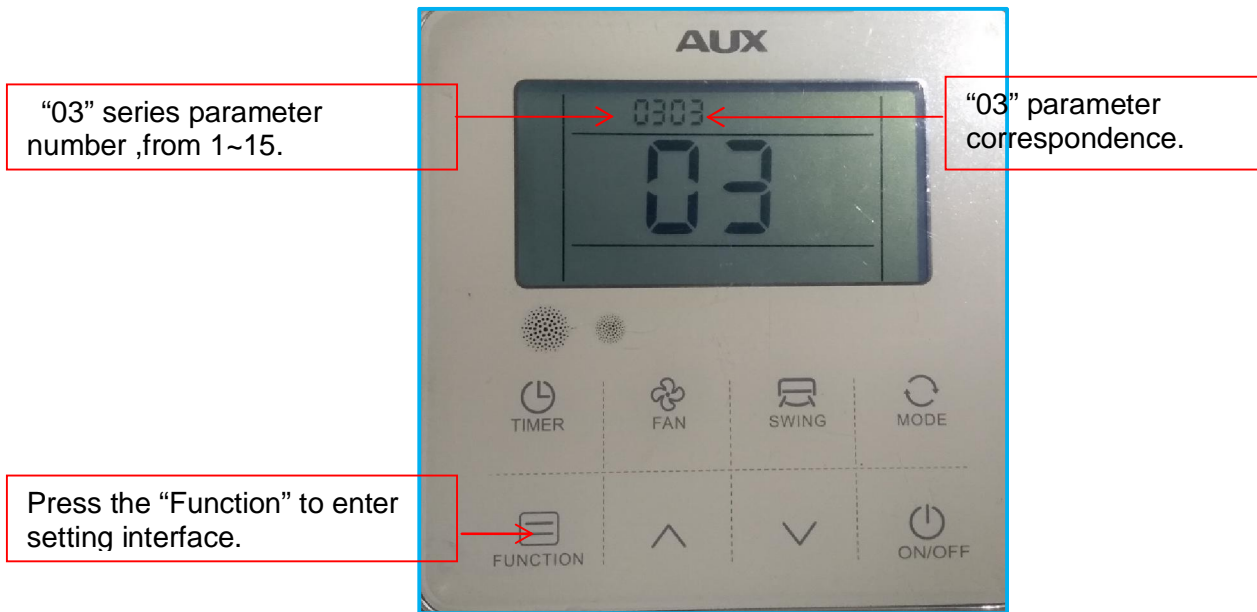
Then press [Mode Button] once, “corresponding parameter value 01” will flicker; press [+/--button of time] again to change the value into “05”, press [Mode Button] to confirm. This indoor unit address is changed as No. 5.

6.4 Parameter setting by XK-05A

6.4.1 Enter the setting interface

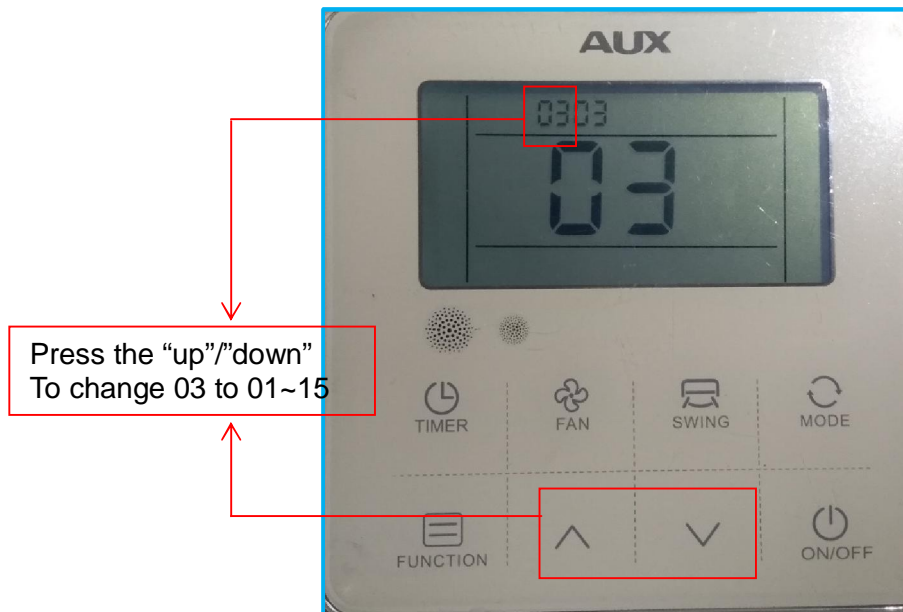
Press “Function” button for 10 s to enter the setting interface.

“ 0303 ” means address of wired controller of indoor unit. Check “ **6.1 Parameter Setting Items** ” for number of parameters and corresponding meaning.



6.4.2 change series parameter number

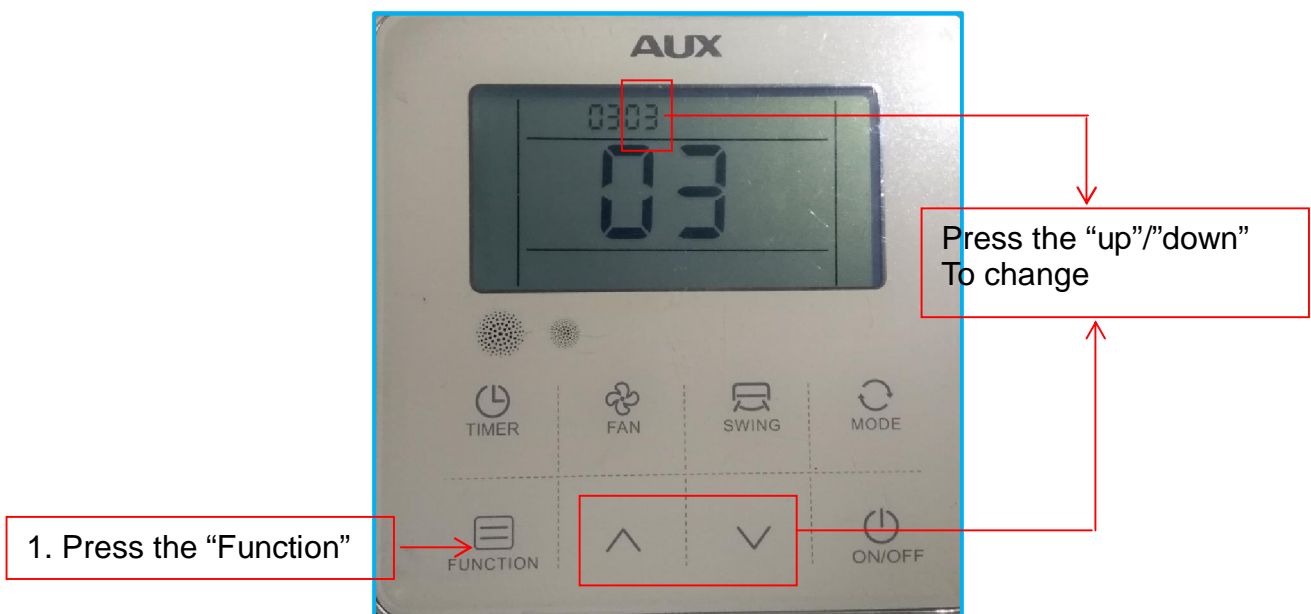
Press “up” /”down” button to change the number.



6.4.3 parameter correspondence setting.

Press “Function” button , the second “ 03 ” will flash.

Press “up” /”down” button to change the number.



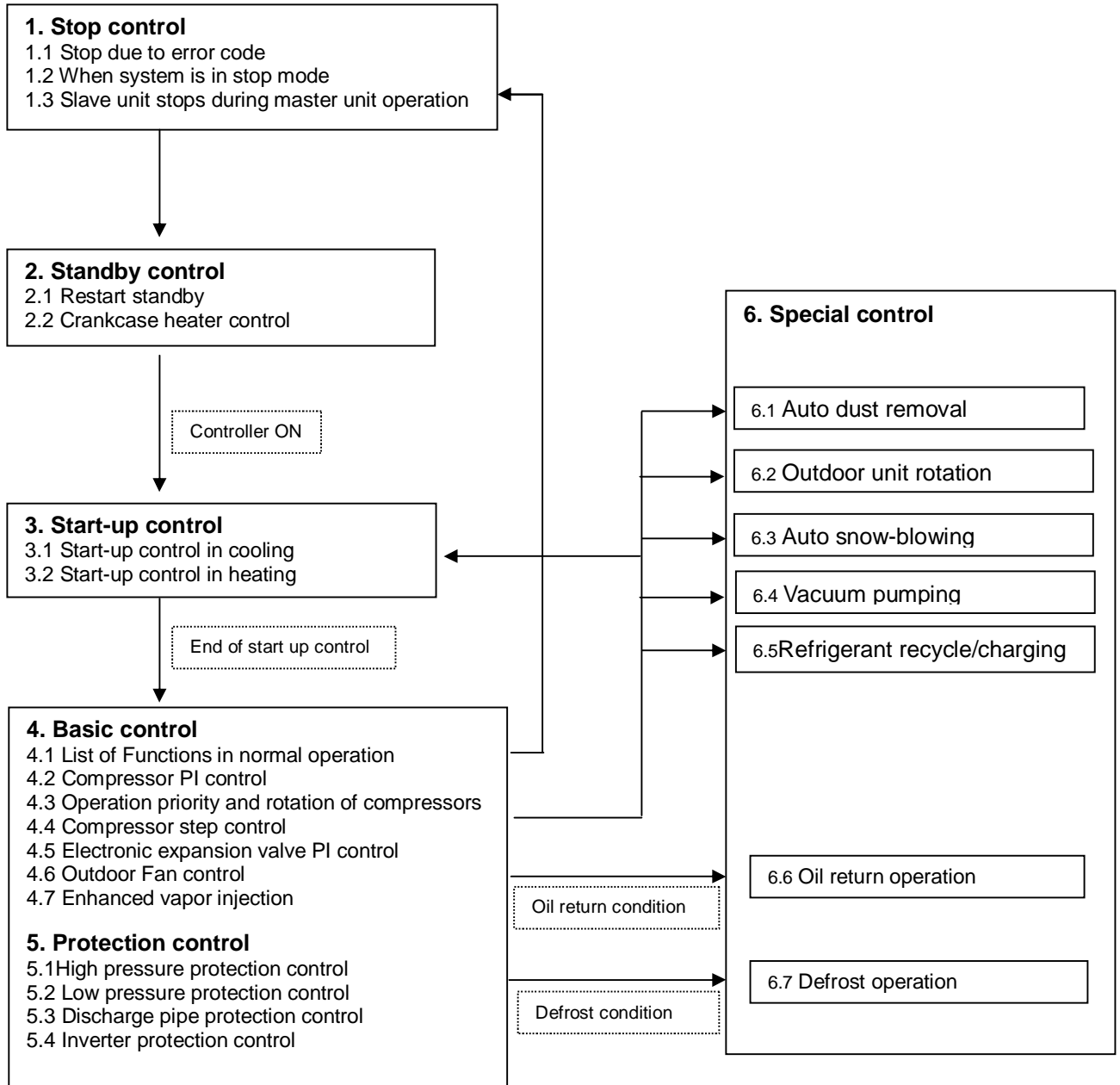
Part 5 Function and Control

1. Function General	178
2. Basic Control	181
3. Protection Control	186
4. Special Control	188

1. Function General

1.1 Operation Mode

For detailed description of each function in the flow below, refer to the details on related function on the following pages.



Note:

1. In the event indoor unit stops or the controller turns OFF while in oil return operation or defrost operation, pump down residual operation is performed on completion of the oil return operation or defrosting operation.
2. Not performed during cooling mode.

1.2 Stop Control

1.2.1 Stop due to error

In order to protect compressors, if any of the abnormal state occurs, the system will make "stop with controller OFF" and the error will be determined according to the number of retry times.

1.2.2 When system is in stop mode

The 4- way valves both for heat exchange switch and piping switch retain the condition before they were stopped.

1.2.3 Slave unit stops during master unit operation

When slave unit is stopped (because of low demand), conditions for this unit till this unit is required to operate (increase of load).

1.3 Standby Control

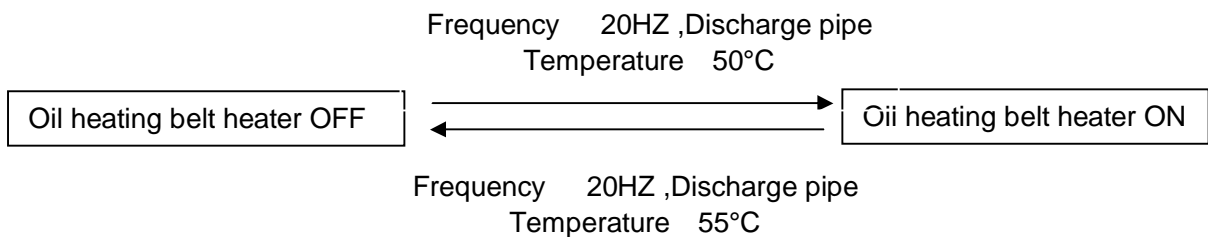
1.3.1 Restart standby

Used to forced stop the compressor for a period of 3 minutes, in order to prevent the frequent ON/OFF of the compressor and equalize the pressure within the refrigerant system.

In addition, the outdoor unit fan carry out the residual operation for a while to suppress the acceleration of the pressure equalizing and melting of the refrigerant to the evaporator.

1.3.2 Oil heating belt control

In order to prevent the refrigerant from melting in the compressor oil in the stopped mode, this mode is used to control the Oil heating belt. 50~55 keep current state.



1.4 Start-up Control

This control is used to equalize the pressure in the front and back of the compressor prior to the start-up of the compressor, thus reducing start-up loads. Furthermore, the inverter is turned ON to charge the capacitor.

To avoid stresses to the compressor due to oil return or else after the start-up, the following control is made and the position of the 4- way valve is also determined. Start both the master and the slave units simultaneously to position the 4- way valve.

1.4.1 Start-up Control for Cooling Operation

1. Compressor frequency : 45/53HZ keep 3 minutes, when the start-up exit condition is satisfied, turned into automatic control
2. Solenoid valve (bypass) open for about 20s
3. ODU and IDU fan automatic control

Component	Wiring diagram label	8-12HP	14-16HP	18-22HP	Control functions and states
Compressor 1	COMP1	TM	TM	TM	Controlled according to load requirement
Compressor 2	COMP2			TM	
DC fan motor 1	FAN1	TM	TM	TM	Controlled according to discharge pressure
DC fan motor 2	FAN2		TM	TM	
EXV 1	EXV1	TM	TM	TM	All EXVs are fully open (480 pls).
EXV 2	EXV2			TM	
EXV 3(sub-cooling)	EXV3	TM	TM	TM	OFF
Solenoid valve (bypass)	SV1	TM	TM	TM	Open for about 20s, after only open if pressure > 3.6MPa
Solenoid valve (EVI)	SVA	TM	TM	TM	Controlled according to SH requirement
Solenoid valve (sub-cooling)	SVB	TM	TM	TM	Controlled according to SC requirement

1.4.2 Start-up Control for Heating Operation

1. Compressor frequency : 45/53HZ keep 3 minutes, when the start-up exit condition is satisfied, turned into automatic control
2. Solenoid valve (bypass) open for about 20s
3. ODU and IDU fan automatic control

Component	Wiring diagram label	8-12HP	14-16HP	18-22HP	Control functions and states
Compressor 1	COMP1	TM	TM	TM	Controlled according to load requirement
Compressor 2	COMP2			TM	
DC fan motor 1	FAN1	TM	TM	TM	Controlled according to discharge pressure
DC fan motor 2	FAN2		TM	TM	

EXV 1	EXV1	TM	TM	TM	Controlled according to evaporator super-heat. Opening degree range (65~480 pls)
EXV 2	EXV2			TM	
EXV 3(sub-cooling)	EXV3	TM	TM	TM	OFF
Solenoid valve (bypass))	SV1	TM	TM	TM	Open for about 20s ,after only open if pressure > 3.6MPa
Solenoid valve (EVI)	SVA	TM	TM	TM	Controlled according to SH requirement
Solenoid valve (sub-cooling)	SVB	TM	TM	TM	Controlled according to SC requirement

2. Basic Control

2.1 Compressor Output Control

The compressor rotation speed is controlled according to the load requirement. Before compressor start-up, the outdoor units first estimate the indoor unit load requirement according to the nominal capacity of indoor units currently running, and then correct for ambient temperature. The compressors then start up according to the corrected load requirement.

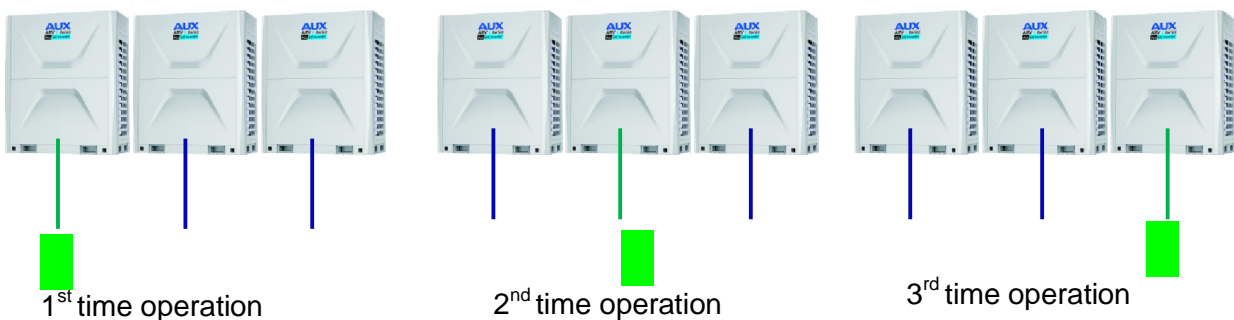
During operation the compressors are controlled according to the nominal capacity of indoor unit currently running and the indoor unit heat exchanger temperatures. If the actual load requirement can be provided by one unit alone, then only one unit starts up. If the actual load requirement requires all outdoor unit modules to operate, the weighted average actual load requirement is sent to each module and each module operates according to this distributed load requirement.

2.2 Compressor Step Control

The running speed of the compressors in rotations per second (rps) is half the frequency (in Hz) of the electrical input to the compressor motors. The compressor speed can be altered in increments of 1 rps.

2.3 Operating Priority and Rotation of Compressors

In one combination system, any module could run as the master unit according to the running time. Balance the life of the outdoor units in one system.



2.4 Electronic Expansion Valve (EXV 1/EXV2) Control

The positions of EXVs are controlled in steps from 0 (fully closed) to 480 (fully open).

In cooling mode:

When all ODUs are in standby, All EXVs are at position (0 pls)

When some ODUs are running and some ODUs are in standby, EXVs on running outdoor units are fully open (480 pls). EXVs of units in standby are fully closed (0 PLS).

When all outdoor units are running. All EXVs are fully open (480 pls).

In heating mode:

When all ODUs are in standby, All EXVs are at position 0 PLS.

When all outdoor units are running, All EXVs are controlled according to evaporator super-heat. Opening degree range (65~480 pls)

2.5 Sub-cooling (EXV3) control

In order to make the maximum use of the sub-cooling heat exchange, this function is used to exert PI control on the electronic expansion valve (Tgo, Tgi, Te).

EXV open degree is controlled according to:

1. SC “plate heat exchange liquid outlet temperature - target temperature”
2. SH “ Plate heat exchange gas outlet temperature “Tgo” - Plate heat exchange gas inlet temperature “Tgi””
3. SH “Plate heat exchange gas outlet temperature “Tgo”-low pressure temperature “Te””

2.6 Enhanced vapor injection (EXV3) EVI control

Heating mode: reducing the outlet temperature, increasing the compressor capacity, improving the heating performance.

EXV open degree is controlled according to super-heat “SH” , (SH=Plate heat exchange gas outlet temperature “Tgo” - Plate heat exchange inlet gas temperature “Tgi”)

Enhanced vapor injection function should meet the two conditions (outdoor temperature “Tao” 12 and More than 75% capacity load demand) at the same time.

2.7 Outdoor Fan control

When outdoor unit running cooling/heating mode, fan motor start-up, automatic operation controlled according to discharge pressure.

2.8 Oil Return Operation

In order to prevent the compressor from running out of oil, the oil return operation is conducted to recover oil flown out from the compressor to the system side.

2.81 Oil Return Operation in Cooling Operation

[Starting conditions]

Referring to the set conditions for the following items, start the oil return operation

- Cumulative oil feed rate
- Timer setting (Make this setting so as to start the oil return operation when the initial cumulative operating time reaches 2hours after power supply is turned ON and then every 8 hours.) Furthermore, the cumulative oil feed rate is computed from Tc, Te, and compressor loads.

Outdoor unit component control during oil return operation in cooling mode

Component	Wiring diagram label	8-12HP	14-16HP	18-22HP	Control functions and states
Compressor 1	COMP1	TM	TM	TM	Controlled according to high and low pressure , frequency range 50~95HZ
Compressor 2	COMP2			TM	
DC fan motor 1	FAN1	TM	TM	TM	Controlled according to discharge pressure
DC fan motor 2	FAN2		TM	TM	
EXV 1	EXV1	TM	TM	TM	Fully open (480 pls).
EXV 2	EXV2			TM	
EXV 3(sub-cooling)	EXV3	TM	TM	TM	OFF
Solenoid valve (bypass)	SV1	TM	TM	TM	OFF
Solenoid valve (EVI)	SVA	TM	TM	TM	OFF
Solenoid valve (sub-cooling)	SVB	TM	TM	TM	OFF

Indoor unit component control during oil return operation in cooling mode

component	unit state	Control functions and states
Fan	ON	Normal control
	Standby	Normal control
	OFF	Off
Electronic expansion valve	ON	Normal control
	Standby	220-480 (steps)
	OFF	220-480 (steps)

2.82 Oil Return Operation in Heating Operation

Outdoor unit component control during oil return operation in heating mode

Component	Wiring diagram label	8-12HP	14-16HP	18-22HP	Control functions and states
Compressor 1	COMP1	TM	TM	TM	Controlled according to high and low pressure , frequency range 50~95HZ
Compressor 2	COMP2			TM	
DC fan motor 1	FAN1	TM	TM	TM	Controlled according to discharge pressure
DC fan motor 2	FAN2		TM	TM	
EXV 1	EXV1	TM	TM	TM	Open degree (120pls).
EXV 2	EXV2			TM	According evaporator super-heat
EXV 3(sub-cooling)	EXV3	TM	TM	TM	OFF
Solenoid valve (bypass)	SV1	TM	TM	TM	OFF
Solenoid valve (EVI)	SVA	TM	TM	TM	OFF
Solenoid valve (sub-cooling)	SVB	TM	TM	TM	OFF

Indoor unit component control during oil return operation in heating mode

component	unit	Control functions and states
Fan	Thermo on	Off
	Standby	Off
	Thermo off	Off
Electronic expansion valve	Thermo on	120-480(steps)
	Standby	120-480(steps)
	Thermo off	120-480(steps)

2.9 Defrosting Operation

In order to recover heating capacity, the defrosting operation is conducted when the outdoor unit heat exchanger is performing as an evaporator. The defrosting operation is controlled according to outdoor ambient temperature, outdoor heat exchanger temperature, indoor heat exchanger temperature and outdoor units running time.

Outdoor unit component control during defrosting operation in heating mode

Component	Wiring diagram label	8-12HP	14-16HP	18-22HP	Control functions and states
Compressor 1	COMP1	TM	TM	TM	95HZ
Compressor 2	COMP2			TM	
DC fan motor 1	FAN1	TM	TM	TM	OFF
DC fan motor 2	FAN2		TM	TM	
EXV 1	EXV1	TM	TM	TM	Open degree (480pls).
EXV 2	EXV2			TM	Open degree (480pls).
EXV 3(sub-cooling)	EXV3	TM	TM	TM	OFF
Solenoid valve (bypass)	SV1	TM	TM	TM	OFF
Solenoid valve (EVI)	SVA	TM	TM	TM	OFF
Solenoid valve (sub-cooling)	SVB	TM	TM	TM	OFF

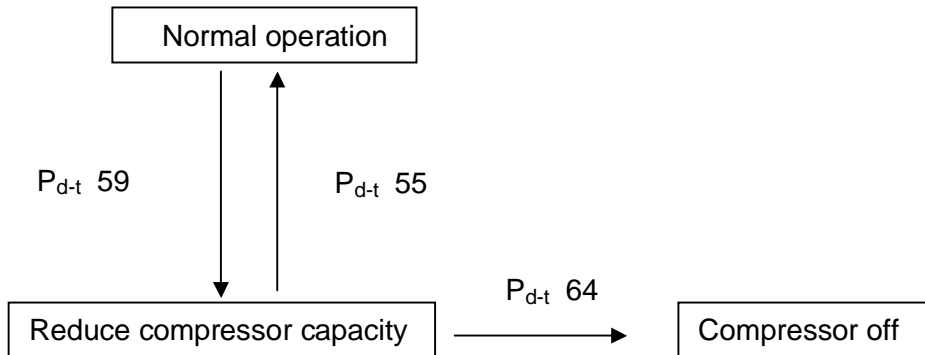
Indoor unit component control during defrosting operation in heating mode

component	unit	Control functions and states
Fan	Thermo on	Off
	Standby	Off
	Thermo off	Off
Electronic expansion valve	Thermo on	120-480(steps)
	Standby	120-480(steps)
	Thermo off	120-480(steps)

3. Protection Control

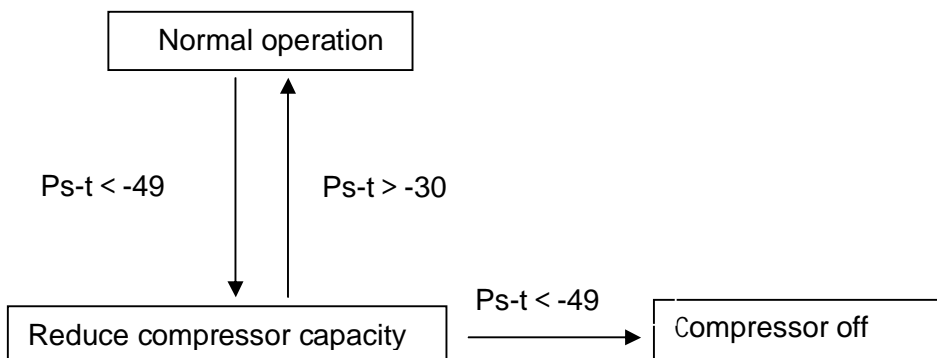
3.1 High Pressure Protection Control

This high pressure protection control is used to prevent the activation of protection devices due to abnormal increase of high pressure and to protect compressors against the transient increase of high pressure.



3.2 Low Pressure Protection Control

This low pressure protection control is used to protect compressors against the transient decrease of low pressure.

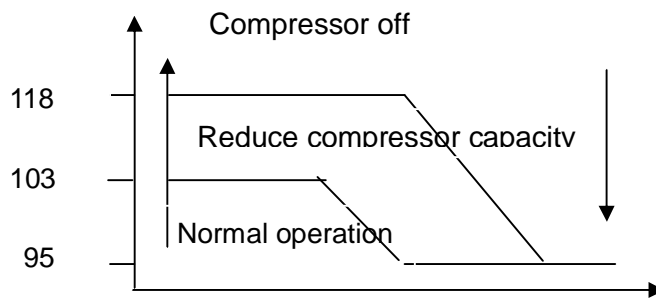


3.3 Discharge Temperature Protection Control

This control protects the compressors from abnormally high temperatures and transient spikes in temperature. It is performed for each compressor.

Discharge temperature protection control

Discharge temperature



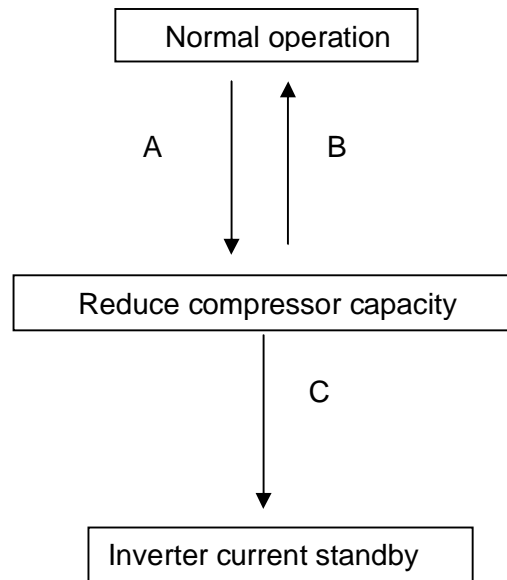
3.4 Inverter Protection Control

Inverter current protection control and radiation fin temperature control are performed to prevent tripping due to an error, or transient inverter over current, and fin temperature increase.

In the case of multi-outdoor-unit system, each INV compressor performs these controls in the following sequence.

Inverter over current protection control]

Perform the following control of integrated as well as multi units for each INV compressor.



MODEL	8-12hp	14-16HP	18-22HP
A	35	53	35
B	41	56	41
C	65	95	65

4. Special Control

4.1 Compressor emergency

This function is used in twin compressor models (18-22HP)

When one of these compressors had a fault, will shields all faults of this compressor.

The system run as a single compressor model.

4.2 Modular emergency (ODU)

This function is used in **N** 2 (N:A system's quantity of outdoor units)

When one of these outdoor units had a fault, will shields all faults of this outdoor unit.

Other outdoor units operate preferentially, the outdoor unit which had a fault will not involved in defrosting, oil return function.

4.3 Quiet mode

Cooling: Max frequency of compressor 90HZ,Max frequency of fan motor 49HZ(single fan modular), Max frequency of fan motor 58HZ(twin fan modular) .

Heating: Max frequency of compressor 100HZ,Max frequency of fan motor 49HZ(single fan modular), Max frequency of fan motor 60HZ(twin fan modular) .

4.4 Operation Priority

First-ON: The first “ON” indoor unit determines the running mode of the whole system until shutdown.

Heating priority: When any indoor unit receives the heating command, the outdoor unit runs according to the heating mode until the heating mode is stopped.

Cooling priority: When any indoor unit receives the cooling command, the outdoor unit runs according to the cooling mode until the cooling mode is stopped.

VIP: Manual address set the indoor unit’s address to 63, 64, A system can have 2 VIP indoor units, VIP indoor unit determines the running mode of the whole system until.

4.5 ODU static pressure control

Before power on, outdoor unit’s static pressure can be set to 0~80Pa according to project demand

4.6 Clean (Auto dust removal)

Outdoor fan motor run as opposite direction for a period of time to blow away the dust

4.7 Blow off snow (Auto snow-blowing)

Outdoor unit keep stop state until a set cycle, then fan motor run as opposite direction for a period of time to blow away the snow.

When choose the blow-off snow function, after a set Cycle start judge: If outdoor environment temperature -5 , fan motor run as opposite direction;

4.8 Vacuum pumping

Outdoor units keep OFF state, all PMV valves keep ON state, the sub-cooling solenoid valve alternating switch for 5 minutes.

4.9 Economic locking (26)

Through outdoor units to set the Economic locking function, all indoor units will run as energy saving mode state. Indoor unit temperature can be set to 26 (lowest set temperature) in cooling mode and 20 (Highest set temperature) in heating mode.

4.10 Refrigerant recycle

Outdoor units running cooling mode, when display (within 90s detected low pressure Ps -32) or (high pressure protect) or (low pressure protect), it means finished refrigerant recycle, outdoor unit stop run at once. After 5 minutes or long press exit button to exit this function.

If outdoor unit environment temperature 5 , do not respond to outdoor unit's refrigerant recycle function.

4.11 Refrigerant charging

4.11.1 Outdoor units running cooling mode

4.11.2 More than 75% capacity load operation

4.11.3 Sub-cooling valve closed

4.11.4 According running parameters, main PCB digital tube will display “F.....1”: Refrigerant shortage, “ F.....2”: Moderate refrigerant, “F.....3” : Excess refrigerant

Note: Outdoor temperature “To” should 15 T_{ao} 43 , Indoor temperature “Ti” should 10 T_{ao} 32 ,quantity of indoor unit(capacity 1.2HP)should less than 70% of total indoor units' quantity.

Part 6 Trouble shooting

1. Poor effect of cooling and heating	191
2. Error code indication	192
3. Appendix	206

1. Poor effect of cooling and heating

Some phenomenon in using process are similar to failures, which are not failures in fact. Therefore, when cooling performance isn't satisfactory, eliminate the following factors first:

Phenomenon	Cause Description
If there is high ambient temperature outside and more people in room, air conditioner works in full load and cool air is blown from outlet, but room temperature can't be lowered.	In case of high ambient temperature, infiltration heat from outside increases, which increases cooling load of air conditioner; if there are more people (e.g.10 people) in room, each people discharges 120W heat, 10 people discharge 1200W heat altogether, which consume half cooling capacity of air conditioner, therefore, cooling capacity of air conditioner seems not enough and room temperature can't be lowered. It's normal and not the fault of air conditioner.
Air conditioner is hard to start, stops after starting or fuse is blown due to under voltage of power supply.	It is not failure. It's necessary to check the cause of power supply. If it is caused by under voltage of power grid, user should install additional voltage stabilizer for power supply to enable voltage to reach 220V or 380V and use air conditioner normally.
When it operates under high air velocity, room temperature can't cool down and there is no much air flow volume at outlet.	Filth blockage of air filter makes cooling capacity can't be taken out by flowing air timely , causing insufficient cooling capacity that can be solved by removing and cleaning filtering net.
When it operates under high air velocity, unit vibrates and makes loud noise	It is normal that the unit vibrates and makes loud noise when it operates in maximum speed.
Temperature controller isn't properly adjusted and doesn't bring maximum function of cooling, so room temperature can't cool down.	Adjust temperature controller to solve the problem
Heat pump-type air conditioner has unsatisfactory heating effect in cold winter, which is reasonable.	Minimum ambient temperature for starting heating function of air conditioner is - 15 .So air conditioner can't effectively heat below this temperature.

Improper installation position of air conditioner can also result in uneven indoor temperature or poor cooling effect.	Readjust the installation position of air conditioner.
mist blown out from indoor unit	It is caused when cool airflow in air conditioner cools down the air in indoor unit.
noise	Air conditioner will make noise when stopping operation, because refrigerant in the unit flows to opposite direction;
	Air conditioner will expand or shrink due to air temperature change, causing harsh sound; sound of water flow is caused by refrigerant flowing in the unit.
odor in room sometimes	Air conditioner won't bring odor by itself, so it must be caused by odor accumulated in environment.
	Solution: clean air filtering net.
In case of heating, air isn't blown out immediately after starting the unit and "Operation" indicator flickers when wired controller is used.	The heating state is used to prevent blowing out cool air. Please wait for a moment.
	The unit has restart function upon power-on after power failure. Air conditioner will automatically start in case of power-on after power failure and operate according to the mode set before power failure.

2. Error code indication

2.1 IDU Fault code table

Error code	Error code definition	Recovery or not	Problem possible reasons
A1	Indoor ambient temperature sensor failure	Yes	Indoor PCB is broken
			The fuse of indoor PCB is broken
			temperature sensor broken , or exceed test limit
A2	Temperature sensor about middle position of evaporator failure	Yes	Indoor PCB is broken
			The fuse of indoor PCB is broken
			temperature sensor broken , or exceed test limit
A3	Indoor coil pipe inlet temperature sensor failure	Yes	Indoor PCB is broken
			The fuse of indoor PCB is broken
			temperature sensor broken , or exceed test limit
A4	Indoor coil pipe outlet temperature sensor failure	Yes	Indoor PCB is broken
			The fuse of indoor PCB is broken

			temperature sensor is broken , or exceed test limit
A5	Indoor water pump failure	Yes	Water pump no power
			Water pump switch short-circuit or unconnected
			Water pump is broken
			Drain pipe block or up lean
			Indoor PCB is broken
A6	Failure of indoor PG fan	No	Fan motor failure
			Fan motor block
			The connection between PCB and fan motor failure.
			Indoor fan block
A7	Failure of reversible synchronous motor	No	Step motor failure
			The connection between PCB and step motor failure.
A8	Indoor unit ERRPROM module failure	No	Indoor unit PCB is broken
			Error module is broken.
A9	The communication between indoor unit and outdoor unit failed	No	The communication wire between indoor unit and outdoor unit is broken.
			Indoor unit power close
			Indoor PCB is broken
AA	The communication between indoor unit and wire controller failed	No	The communication wire between indoor unit and outdoor unit is broken.
			Indoor unit power close
			Indoor PCB is broken
			Wire controller is broken
AC	Two or more indoor unit central control system address repeated	Yes	The central control address setting incorrect
AE	Operation mode conflict	Yes	The operation mode setting incorrect
AH	Two or more indoor unit refrigerant system address repeated	Yes	System address setting incorrect
AJ	Indoor unit total capacity exceeded	Yes	Stop some indoor units
AF	The EXV leakage	Yes	EXV is blocked
			Indoor unit temperature sensor issue.

			Evaporator inlet sensor failure.
A0	The EXV to open failure	No	

2.2 ODU Fault code table

	Code	Error code definition	Recovery or not	Possible reason
1	C1	Ambient temperature sensor "Tao" failure	Yes	Temperature sensor failure or test temperature exceed limit.
				Sensor connection is incorrect.
				Outdoor unit PCB failure.
2	C2	Defrosting temperature sensor "Tdef" failure	Yes	Temperature sensor failure or test temperature exceed limit.
				Sensor connection is incorrect.
				Outdoor unit PCB failure.
3	C3	Compressor 1# Discharge temperature sensor Tda failure	Yes	Temperature sensor failure or test temperature exceed limit.
				Sensor connection is incorrect.
				Outdoor unit PCB failure.
4	C4	Compressor 2# Discharge temperature sensor Tdb failure	Yes	Temperature sensor failure or test temperature exceed limit.
				Sensor connection is incorrect.
				Outdoor unit PCB failure.
5	C6	Suction pipe temperature of compressor "Ts" failure	Yes	Temperature sensor failure or test temperature exceed limit.
				Sensor connection is incorrect.
				Outdoor unit PCB failure.
6	C9	Condenser inlet temperature Tco failure	Yes	Temperature sensor failure or test temperature exceed limit.
				Sensor connection is incorrect.
				Outdoor unit PCB failure.
7	CJ	oil temperature sensor Toila failure	Yes	Temperature sensor failure or test temperature exceed limit.
				Sensor connection is incorrect.
				Outdoor unit PCB failure.

8	CC	Plate heater liquid outlet temperature sensor failure	Yes	Temperature sensor failure or test temperature exceed limit.
				Sensor connection is incorrect.
				Outdoor unit PCB failure.
9	CE	Plate heater gas inlet temperature sensor failure	Yes	Temperature sensor failure or test temperature exceed limit.
				Sensor connection is incorrect.
				Outdoor unit PCB failure.
10	CF	Plate heater gas outlet temperature sensor failure	Yes	Temperature sensor failure or test temperature exceed limit.
				Sensor connection is incorrect.
				Outdoor unit PCB failure.
11	F1	High pressure sensor "Pd" failure	Yes	High pressure sensor failure
				Low pressure sensor connection is incorrect.
				Outdoor unit PCB failure
12	F3	High pressure too high "Pd" protection.	Yes	Exhaust pipe or condenser pipe block
				Condenser dirty
				Outdoor unit fan stop or low speed
				Refrigerant overcharge
13	F4	Low pressure sensor "Ps" failure.	Yes	Low pressure sensor is broken.
				The connection between sensor and outdoor PCB incorrect
				Outdoor unit PCB failure
14	F6	Low pressure too low "Ps" protection.	No	Indoor unit fan stop or low speed
				Evaporator dirty
				Indoor EXV full open in cooling mode (Outdoor EXV full open in heating mode)
				Lack refrigerant
		The pipe between evaporator and suction port block		
15	F8	Compression ratio too high protection	No	Once confirm the unrecoverable
16	F9	Compression ratio too low protection	No	Once confirm the unrecoverable
17	FH	Discharge temperature	No	Once confirm the unrecoverable

	(FB)	"Tdi" too low limit frequency protection		
18	H1 (B1)	High pressure switch "HPSa" failure	No	System pressure exceed high pressure switch limit.
				High pressure switch failure
				High pressure sensor failure
				Instantaneous power-off
				Stop valve closed
				Outdoor unit fan stop
				Outdoor unit air outlet block
				In heating mode indoor unit fan stop
				In heating mode indoor unit EXV block
19	H2 (B2)	High pressure switch "HPSb" failure	No	System pressure exceed high pressure switch limit.
				High pressure switch failure
				High pressure sensor failure
				Instantaneous power-off
				Stop valve closed
				Outdoor unit fan stop
				Outdoor unit air outlet block
				In heating mode indoor unit fan stop
				In heating mode indoor unit EXV block
20	H5	Refrigerant shortage fault	No	System leakage
21	HF	Oil shortage fault	No	Clogging of oil return capillary
22	HJ	Main power failure	No	Supply power phase-reversal
				Supply power phase lack
				Outdoor unit PCB failure
23	E3	DC Compressor NO .1 discharge temperature "Tda" too high shutdown protection	No	System less refrigerant
				DC inverter Compressor failure
				Compressor air return filter block
				EXV open degree is small
				EXV block
				Gas pipe stop valve closed
				Liquid pipe stop valve closed
System exhaust sensor failure				

				Outdoor unit PCB failure
24	E4	DC compressor No.2 discharge temperature "Tdb" too high shutdown protection	No	System less refrigerant
				DC inverter Compressor failure
				Compressor air return filter block
				EXV open degree is small
				EXV block
				Gas pipe stop valve closed
				Liquid pipe stop valve closed
				System exhaust sensor failure
				Outdoor unit PCB failure
25	J1	The communication between outdoor units failure	Yes	The communication wire between outdoor units is disconnect, short circuit or connect incorrect.
				Outdoor unit PCB failure
				Outdoor unit main power failed
26	J2	The communication between outdoor unit and indoor unit failure	Yes	The communication wire between indoor unit and outdoor unit disconnect, short circuit or connect incorrect.
				Indoor unit main power failed
				Indoor unit PCB failure
27	J3	The communication between PCB and INV module failure	Yes	The connection between driving module and main PCB failure
				The communication part of outdoor unit control PCB failure
				Frequency driving board failure
				Compressor failure
28	J4	The communication between main PCB and DC fan motor drive module failure	Yes	DC fan motor drive module failure
				DC fan failure
29	J5	Outdoor unit parameter setting incorrect	Yes	Outdoor unit dial switch incorrect
				Main PCB failure
30	J7	Outdoor unit main control PCB ERROM module failure	No	Main PCB failure
31	JJ	Indoor unit total capacity exceeding	Yes	/

32	31	Compressor 1# drive Module IPM protection (F0)	Yes	Supply voltage below level let the current excessive
				Supply voltage exceed limit
				Outdoor fan stop or low speed
33	32	Compressor 1# drive Module hardware protection	Yes	Supply voltage below level let the current excessive
				Supply voltage exceed limit
				Outdoor fan stop or low speed
34	33	Compressor 1# drive Module software protection	Yes	Supply voltage below level let the current excessive
				Supply voltage exceed limit
				Outdoor fan stop or low speed
35	34	Compressor 1# and drive module unconnected	Yes	The connect of driving module and DC inverter compressor incorrect
				Driving module failure
				Compressor failure
36	35	Compressor 1# phase current overload protection	Yes	Compressor overload
				Compressor coil disconnect
				Inverter driving board failure
				Compressor failure
37	36	Compressor 1# DC bus voltage over-voltage or under-voltage failure	Yes	Supply voltage below level
				Supply voltage exceed limit
				Driving module failure
38	37	Compressor 1# temperature sensor of drive module heat fins failure	No	Inverter driving board failure
39	38	Compressor 1# drive module non phase protection	Yes	Driving module failure
				Compressor failure
				Outdoor unit fan stop or low speed
40	39	Compressor 1# drive module high temperature shutdown protection	Yes	Driving module failure
				Compressor failure
				Temperature sensor failure
41	3A	DC fan 1# motor high temperature shutdown protection	No	Once confirm the unrecoverable

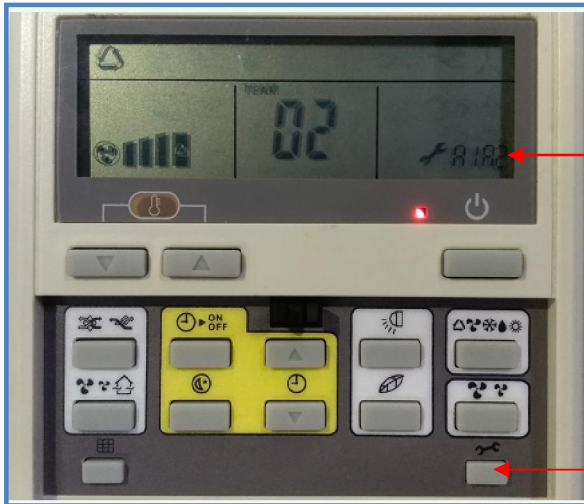
42	3C	DC fan 1# over current protection	No	Once confirm the unrecoverable
43	3H	DC fan 1# drive module start failure or Running out of step	No	Once confirm the unrecoverable
44	3J	DC fan 1# drive module over-voltage or under-voltage protection	No	Once confirm the unrecoverable
45	3E	Compressor 1# drive module AC Input over current protection	No	Once confirm the unrecoverable
46	3F	Compressor 1# drive Module PFC protection (F0)	Yes	/
47	41	DC fan 1# drive module IPM alarm	No	Once confirm the unrecoverable
48	47	Indoor unit loss failure	Yes	Communication wire between indoor units failure
				Indoor PCB failure
				Power supply of indoor units failure
49	51	Compressor 2# drive Module IPM protection (F0)	Yes	Supply voltage below level let the current excessive
				Supply voltage exceed limit
				Outdoor fan stop or low speed
50	52	Compressor 2# drive Module hardware protection	Yes	Supply voltage below level let the current excessive
				Supply voltage exceed limit
				Outdoor fan stop or low speed
51	53	Compressor 2# drive Module software protection	Yes	Supply voltage below level let the current excessive
				Supply voltage exceed limit
				Outdoor fan stop or low speed
52	54	Compressor 2# and drive module unconnected	Yes	The connect of driving module and DC inverter compressor incorrect
				Driving module failure
				Compressor failure

53	55	Compressor 2# phase current overload protection	Yes	Compressor overload
				Compressor coil disconnect
				Inverter driving board failure
				Compressor failure
54	56	Compressor 2# DC bus voltage over-voltage or under-voltage failure	Yes	Supply voltage below level
				Supply voltage exceed limit
				Driving module failure
55	57	Compressor 2# temperature sensor of drive module heat fins failure	No	Inverter driving board failure
56	58	Compressor 2# drive module high temperature limit frequency failure	Yes	Driving module failure
				Compressor failure
				Outdoor unit fan stop or low speed
57	59	Compressor 2# drive module high temperature shutdown protection	Yes	Driving module failure
				Compressor failure
				Temperature sensor failure
58	5A	DC fan 2# drive module high temperature shut down protection	No	Once confirm the unrecoverable
59	5C	DC fan 2# over current protection	No	Once confirm the unrecoverable
60	5H	DC fan 2# drive module start failure or Running out of step	No	Once confirm the unrecoverable
61	5J	DC fan 2# drive module over-voltage or under-voltage protection	No	Once confirm the unrecoverable
62	5E	Compressor 2# drive module AC Input over current protection	No	Once confirm the unrecoverable
63	5F	Compressor 2# drive Module PFC protection (F0)	Yes	/

2.3 Indoor unit error code display

2.3.1 Error code display by wired control – YK-02A

After indoor and outdoor units shut down due to failure, failure code will display on wired controller. In case of normal protection, no failure code will display on wired controller. Among others, wired controller doesn't automatically send warning, which requires pressing CHECK button to display corresponding failure codes.



“ A1A2 ” means The last two failures are “A1””A2” ,through the ” **2.1 IDU Fault code table**” to check error code definition,
If there is no error, will display “- - - -”

Press to enter error
Code check

Wired controller uses failure code of two digits, the first digit of which indicates characters in column “B” and the second digit of which indicates “0~F” characters corresponding to each row.

2.3.2 Error code display by wired control – YK-05A



“ E0A1 ” means the first error code “A1” ,through the “**2.1 IDU Fault code table**” to check error code definition,
“E2A3” means the second error code is “A3”

Press “ Function ” ”Up” button at the Same time to enter the error code check

2.3.3 Error code display by digital tube – panel

“E0” error code

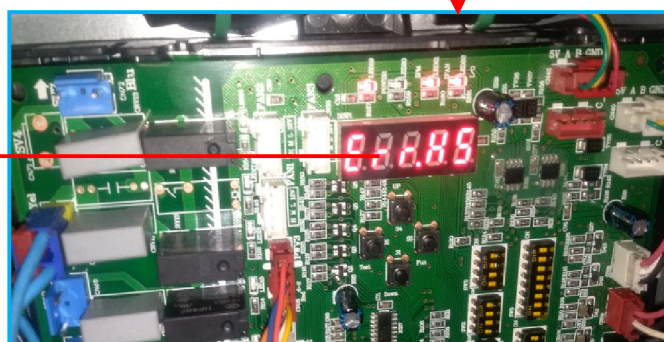
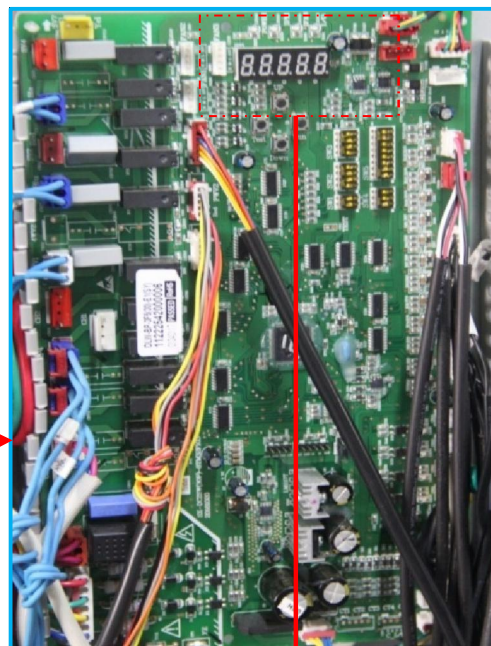
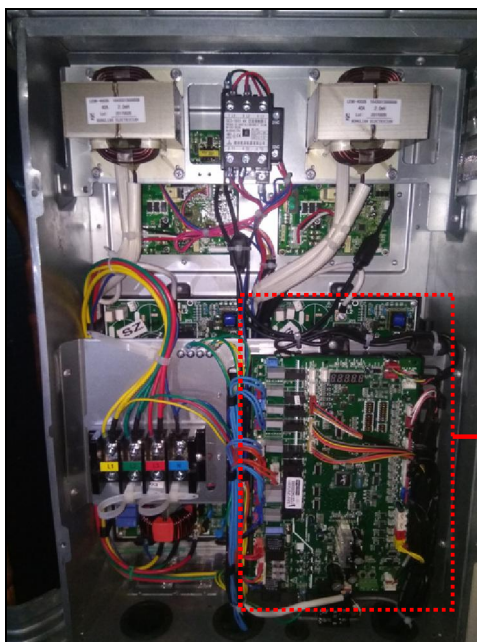


2.4 Outdoor unit error code display

For outdoor units, the error code displays on the main PCB (Master unit).

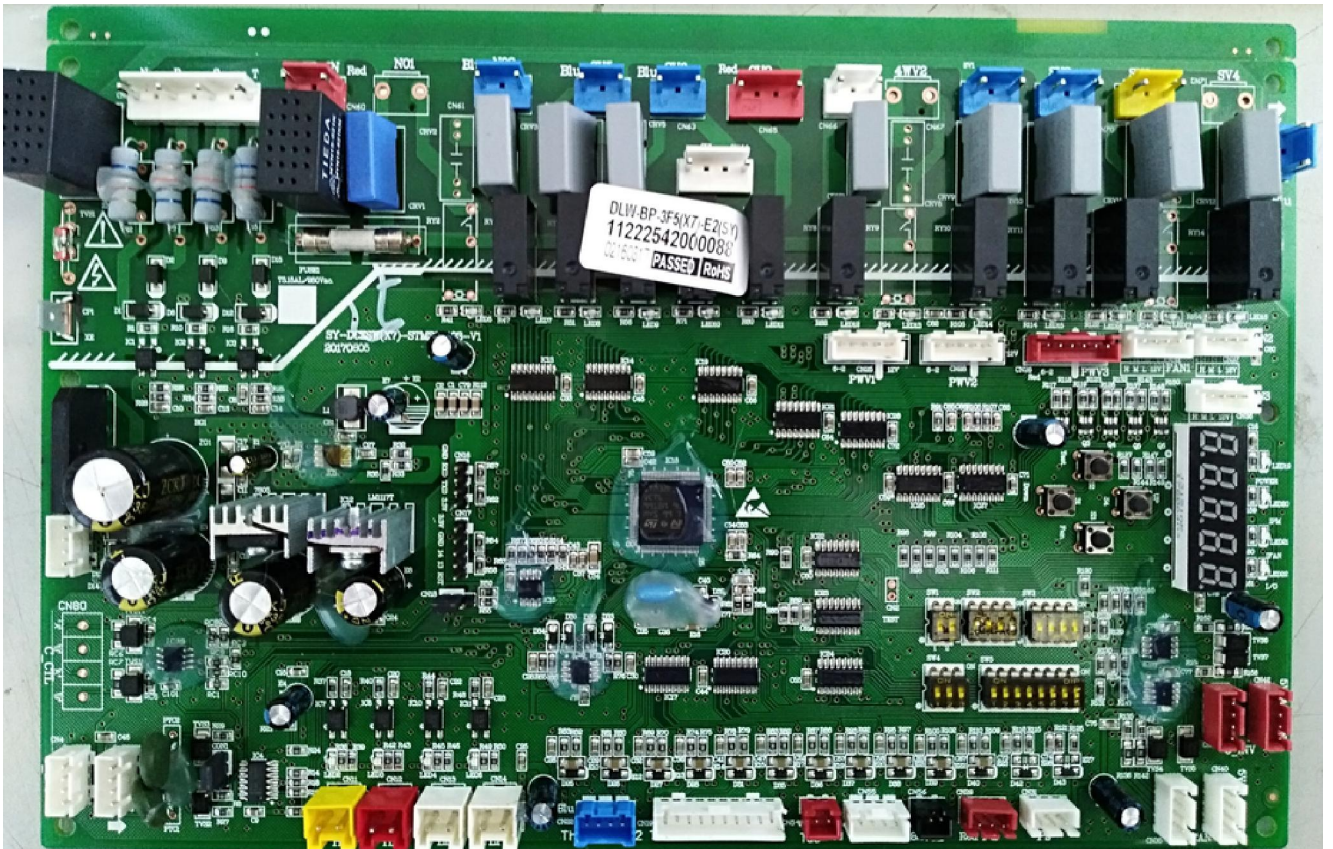
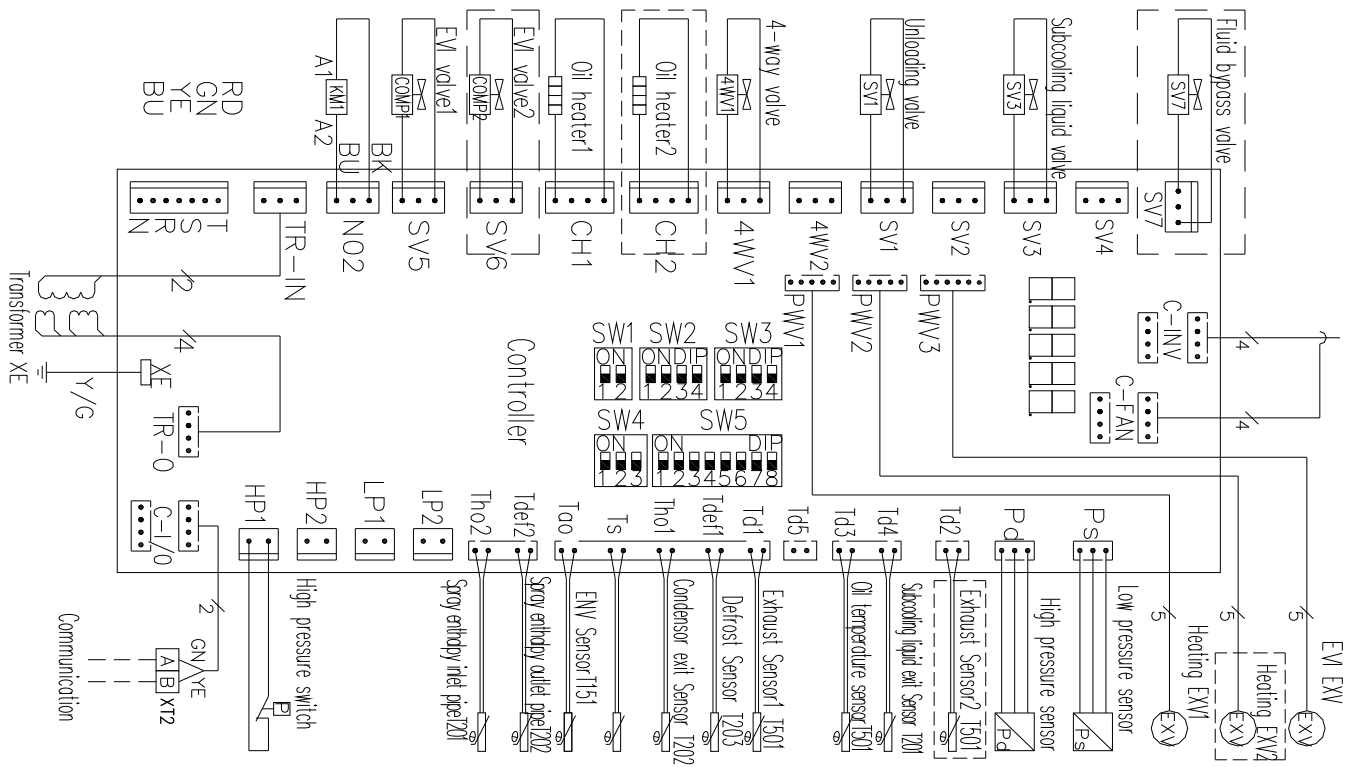
Outdoor unit control box

Outdoor unit main PCB



Error code “ H5 ” , through the “2.2 ODU Fault code table” to check the definition: system leakage

Symbol Description



Definition of ports

Symbol Abbreviation	Detailed information
N R S T	Power input
TR_IN	Transform input
N02	AC contact
SV5	1# Vapor injection valve
SV6	2# Vapor injection valve
CH1	1# Compressor preheating
CH2	2# Compressor preheating
4WV1	4-way valve
SV1	Unloading valve
SV3	Sub-cooling valve
SV7	Bypass valve
PWV1	1# Heating EXV
PWV2	2# Heating EXV
PWV3	Electronic expansion valve of Vapor injection
C_INV	Drive modular of compressor
C_FAN	Drive modular of fan motor
Tho2,Tdef2	Inlet & outlet temperature of Vapor injection EXV
Tao,Ts,Tho1,Tdef1,Td1	Temperature sensors : environment , gas-liquid separator outlet, condenser outlet, defrost, discharge of compressor 1#
Td5	/
Td4,Td3	Temperature sensors :Sub-cooling outlet, oil temperature
Td2	discharge of compressor 2#
Pd	High pressure sensor
Ps	Low pressure sensor
HP1	High pressure switch
C_I/O	Communication between IDU and ODU
TR_O	Transform output
XE	Ground wire

2.5 Centralized controller software trouble shooting

Troubles	Possible Reasons	Troubleshooting method
<p>Software on the communication failure warning, some or all of the air conditioners cannot indicate or query the status.</p>	<p>Some Communication wires are not Twisted-pairs</p>	<p>Replace them with Twisted-pairs</p>
	<p>The CN2 of the communication adapter plate has loosening or shedding in connection.</p>	<p>Rotating the Communication wire of CN2</p>
	<p>Communication wires have breakages</p>	<p>Welding the Communication wires or replace new ones</p>
	<p>Spring inside the socket cannot bounce or has been pushed to the end result in the Communication wire not connected.</p>	<p>Repair or replace socket</p>
	<p>Communication wire A&B short circuit or connected to wrong places.</p>	<p>Repair the short circuit section or exchange port A&B.</p>
	<p>Communication wire and the power line got too close (< 15cm)</p>	<p>Apart the Communication wire and the power line to at least 15cm, otherwise wrap them with shield steel pipes.</p>
<p>Line inspection is normal, but some or all of the some or all of the air-con cannot indicate or query the status, or the address got conflict.</p>	<p>Serial port of the computer terminal Communication wire and the software selection one does not match.</p>	<p>Replace the ports or change the serial port setting.</p>
	<p>The communication adapter plate does not supply power after reset the address and result in the new address not effective.</p>	<p>Power on communication adapter plate again.</p>
	<p>Unit has no power supply.</p>	<p>Power on unit</p>
	<p>The address of the computer groups got error or repeated.</p>	<p>One more check and modify the address setting.</p>
<p>Line inspection is normal, but one of the air-con cannot indicated or query the status.</p>	<p>Communication adapter plate got system halted or hardware damaged.</p>	<p>Change communication adapter plate</p>
	<p>Maybe the repeater need installing or gets incorrect connection.</p>	<p>Installing the repeater correctly.</p>

3. Appendix

Relation between temperature sensor of compressor and resistance

R25=50K ±1%			
B25/50=3950K ±1%			
T [°C]	Rmin [K]	Rnom [K]	Rmax [K]
-20	449.9	464.7	479.9
-19	425.7	439.5	453.6
-18	402.9	415.7	428.8
-17	381.5	393.4	405.6
-16	361.3	372.3	383.6
-15	342.2	352.5	363.0
-14	324.3	333.9	343.7
-13	307.5	316.4	325.5
-12	291.5	299.8	308.3
-11	276.6	284.3	292.2
-10	262.4	269.6	276.9
-9	249.0	255.7	262.5
-8	236.5	242.7	249.0
-7	224.5	230.3	236.2
-6	213.3	218.7	224.2
-5	202.7	207.7	212.8
-4	192.7	197.3	202.0
-3	183.2	187.5	191.9
-2	174.3	178.3	182.4
-1	165.8	169.5	173.3
0	157.7	161.2	164.7
1	150.2	153.4	156.7
2	142.9	145.9	148.9
3	136.1	138.9	141.7
4	129.7	132.3	134.93
5	123.6	126.0	128.4
6	117.8	120.0	122.3
7	112.2	114.3	116.4
8	107.1	109.0	111.0
9	102.1	103.9	105.7
10	97.42	99.08	100.8
11	92.97	94.51	96.06
12	88.74	90.17	91.61
13	84.73	86.05	87.38
14	80.92	82.14	83.37
15	77.29	78.42	79.56
16	73.84	74.89	75.95
17	70.57	71.54	72.51
18	67.46	68.35	69.25
19	64.49	65.32	66.15

20	61.68	62.44	63.20
21	59.00	59.70	60.40
22	56.44	57.09	57.74
23	54.02	54.61	55.20
24	51.70	52.25	52.80
25	49.50	50.00	50.50
26	47.37	47.87	48.37
27	45.34	45.84	46.34
28	43.41	43.91	44.41
29	41.59	42.08	42.57
30	39.84	40.33	40.82
31	38.18	38.66	39.15
32	36.59	37.07	37.55
33	35.07	35.55	36.03
34	33.64	34.11	34.58
35	32.27	32.73	33.20
36	30.95	31.41	31.87
37	29.70	30.15	30.61
38	28.50	28.95	29.40
39	27.37	27.81	28.25
40	26.29	26.72	27.16
41	25.24	25.67	26.10
42	24.25	24.67	25.09
43	23.31	23.72	24.14
44	22.41	22.81	23.22
45	21.53	21.93	22.33
46	20.71	21.10	21.50
47	19.92	20.30	20.69
48	19.16	19.54	19.92
49	18.44	18.81	19.18
50	17.75	18.11	18.48
51	17.08	17.44	17.80
52	16.44	16.79	17.14
53	15.84	16.18	16.53
54	15.26	15.59	15.93
55	14.69	15.02	15.35
56	14.16	14.48	14.81
57	13.65	13.96	14.28
58	13.15	13.46	13.77
59	12.69	12.99	13.30
60	12.23	12.53	12.83
61	11.80	12.09	12.39
62	11.39	11.67	11.96
63	10.98	11.26	11.54
64	10.60	10.87	11.15
65	10.23	10.50	10.77
66	9.880	10.14	10.41




67	9.537	9.792	10.05
68	9.211	9.460	9.715
69	8.897	9.141	9.391
70	8.595	8.834	9.078
71	8.306	8.539	8.778
72	8.028	8.256	8.490
73	7.759	7.983	8.212
74	7.501	7.720	7.944
75	7.254	7.468	7.687
76	7.016	7.225	7.440
77	6.786	6.991	7.201
78	6.565	6.765	6.971
79	6.352	6.548	6.749
80	6.147	6.339	6.536
81	5.950	6.138	6.331
82	5.761	5.944	6.133
83	5.578	5.757	5.942
84	5.401	5.577	5.758
85	5.231	5.403	5.580
86	5.069	5.237	5.410
87	4.912	5.076	5.245
88	4.760	4.921	5.087
89	4.615	4.772	4.934
90	4.474	4.628	4.787
91	4.338	4.489	4.645
92	4.207	4.354	4.506
93	4.081	4.225	4.374
94	3.958	4.099	4.245
95	3.840	3.978	4.121
96	3.726	3.861	4.001
97	3.616	3.748	3.885
98	3.509	3.639	3.773
99	3.407	3.534	3.665
100	3.308	3.432	3.560
101	3.212	3.333	3.459
102	3.119	3.238	3.361
103	3.030	3.146	3.267
104	2.942	3.056	3.174
105	2.858	2.970	3.086
106	2.778	2.887	3.000
107	2.699	2.806	2.917
108	2.623	2.728	2.837
109	2.549	2.652	2.758
110	2.479	2.579	2.683
111	2.410	2.508	2.610
112	2.343	2.439	2.539
113	2.279	2.373	2.471


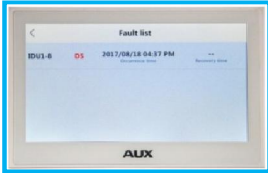

114	2.216	2.308	2.404
115	2.156	2.246	2.340
116	2.097	2.186	2.278
117	2.040	2.127	2.217
118	1.985	2.070	2.158
119	1.932	2.015	2.102
120	1.880	1.962	2.047






Part 7 Controller System

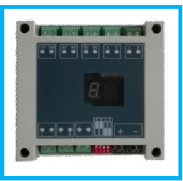

1. Controller Introduction	211
2. Remote controller	213
3. Wired Controller	217
4. Centralized Controller	221
6. Centralized Controller Software	237
7. BMS- MODBUS Protocol.....	246
8. BMS- BACNET Protocol.....	250
9. Wireless Network Centralized Control System	259
10. Selection software.....	260



1. Controller Introduction

Remote Controller		Wired Controller	
			
YK-L	YK-k	XK-02A	XK-05A

Centralized controller system		
		
CC-01	CC-02	Adapter

Centralized control software system				
				
RS-232 to RS485	RS-485/422 Repeater	Adapter	USB to RS485	software

BMS system	
	
MODBUS Gateway	BACNET Gateway

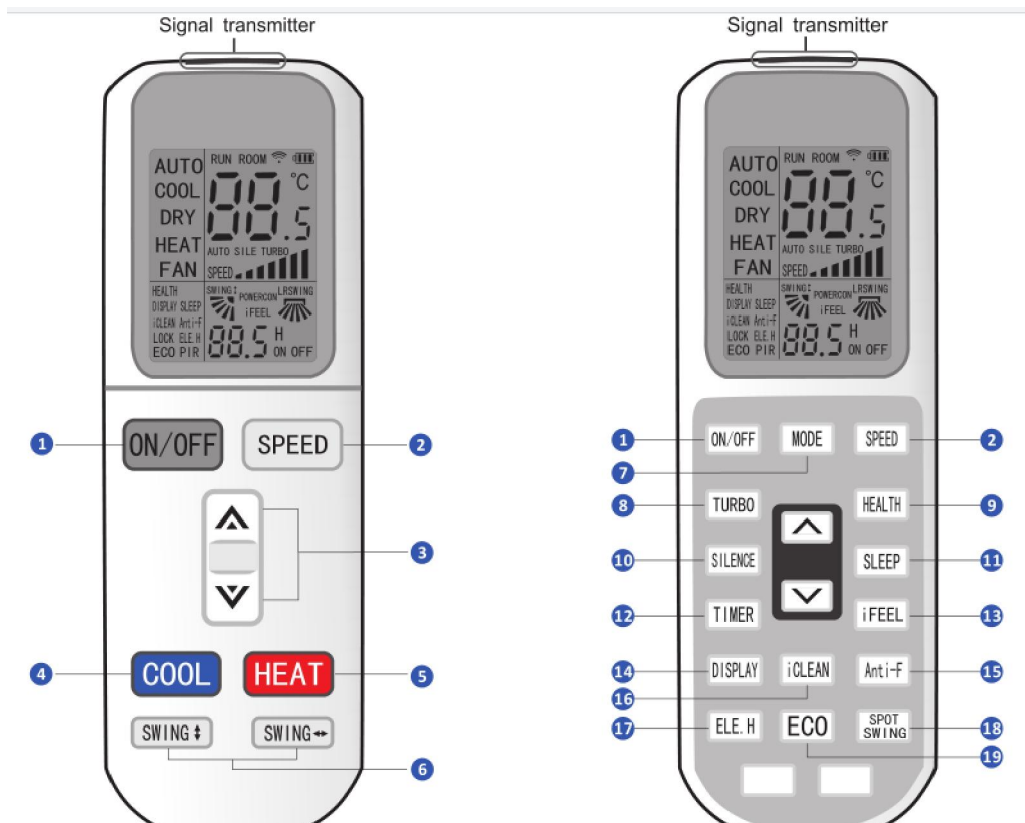
Wireless Network Control	
	
WIFI Modular	Software

1.1 Control Component List

Type	Model	Function description
Remote controller	YK-K	General wireless remote controller, none address setting function
	YK-L	Background light , address setting function
Wired controller	XK-02A	With a directly connecting 10m display board wire, add setting address function. For the display board of indoor unit with wired control port. Control Max. 16 indoor units.
	XK-05A	Touch screw wired controller, address setting function, Control Max. 16 indoor units.
Centralized controller	CC-01 DCZCCXK02(COG)SY-E1	With weekly timer. Control Max. 64 indoor units. Can control multiple refrigeration systems, but each refrigeration system must connect centralized controller adaptor.
	CC-02	Touch screw. Control Max. 256 indoor units. Can control multiple refrigeration systems, but each refrigeration system must connect centralized controller adaptor.
Centralized controller adaptor	Adaptor DCZ-ZJB-SYE2	Centralized controller adaptor and switch-mode power supply. Accessories equipment of centralized controller.
Centralized Control Software	/	Control Max. 256 outdoor units and 4096 indoor units. Can control 64 refrigeration systems. but each refrigeration system must connect gateway. Whole control system must connect a 232-485 converter and a special computer.
Centralized Control Software Adaptor	RS-485/422 Repeater	Accessories equipment of centralized controller software.
Monitoring Software	AUX-ARV-monitoring	The central control monitor of outdoor unit. Can only control a refrigeration system. Monitor Max. 4 outdoor unit. Must connect USB-485 communication
Selection Software	AUX Project Express (AUXselectionV2.7.0)	Without password. Select branch pipe and copper pipe faster and more accurate.
BMS system	MODBUS	Each system connect with a MODBUS gateway, at most 32 systems
	BACNET	Each system connect with a MODBUS gateway, at most 32 systems

2. Remote controller

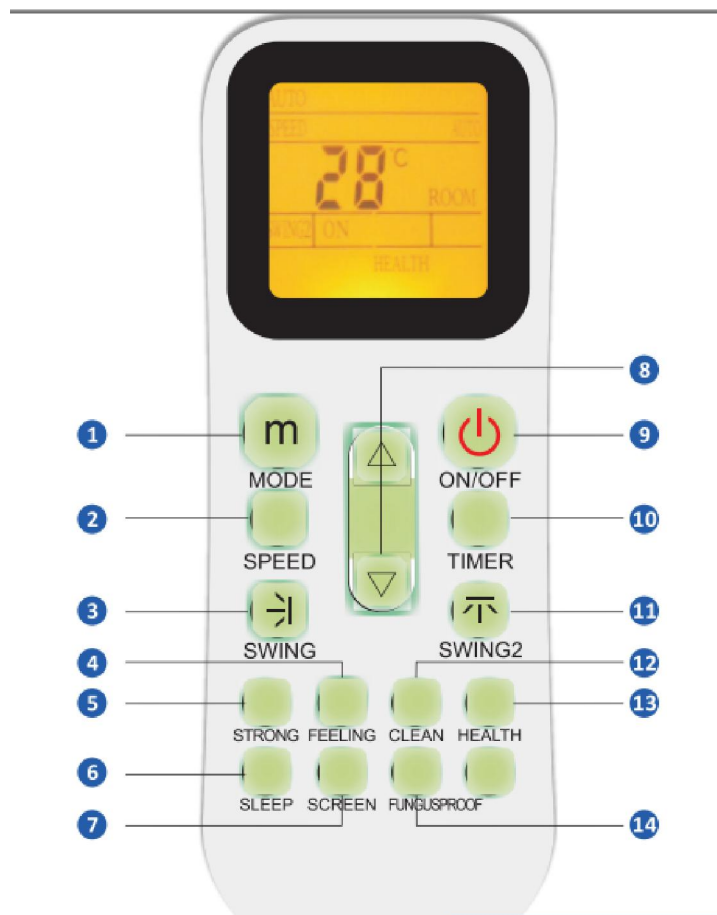
2.1 YK-L



- 1 ON / OFF
- 2 Fan speed setting
- 3 High/Med/Low/Auto
- 4 Temperature-Setting
- 5 /Timer Range Setting
- 6 Cooling Mode
- 7 Heating Mode
- 8 Vertical swing/Horizontal swing
- 9 Mode setting
- 10 Auto/cool/heat/dry/fan
- 11 Turbo wind
- 12 Health Function
- 13 Silence Function

- 1 Sleep Function
- 2 Timer on/off
- 3 I Feel Function
- 4 LED Display on/off
- 5 Anti-function Function
- 6 Clean Function
- 7 Electric Heating
- 8 Spot swing
- 9 Economic Function

2.2 YK-K



- 1 Mode setting
- Auto/cool/heat/dry/fan
- 2 Fan speed setting
- High/Med/Low/Auto
- 3 Vertical swing
- 4 /Timer Range Setting
- 5 Feeling Function
- 6 Strong Wind
- 7 Sleep Function
- 8 LED Display on/off

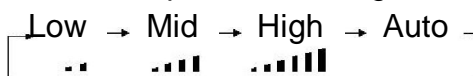
- 8 Temperature-setting
- 9 /Timer Range setting
- 10 ON/OFF
- 11 Timer on/off
- 12 Horizontal swing
- 13 Clean Function
- 14 Health Function
- Fungus-proof Function

1 “ON/OFF” button

Press this button, the unit will start or stop, which can clear the timer or sleeping function of last time.

2 “SPEED” button

Press this button, speed will change as below:



3 “▲ / ▼” button

* When press ▲ button, the setting temperature will be increased by 0.5 .When press ▼ button, the setting temperature will be decreased by 0.5 .

* The temperature will be changed quickly by pressing the button continuously and setting temperature range is 16 to 32 .

4 “COOL” button

* Press the “COOL” button, you can directly enter cooling mode.

5 “HEAT” button

* Press the “HEAT” button, you can directly enter cooling mode.

* Note: cooling only unit has no heating function.

6 “SWING” button (SWING and SWING)

* Up/down (left/right) setting is only valid in this mode; it will not affect louver position in other modes.

* Up/down (left/right) swing has memory function, it can keep primary setting when turn off then turn on or switch from other modes to primary mode.

7. “HEALTH” button

* Press this button; you can turn on or off the health function.

8. “SLEEP” button

* Press SLEEP button, the sleeping indicator light of indoor unit flashes on.

* The air-conditioner runs in sleeping mode for 10 hours and quit sleep mode, recover back to former mode.

* The unit will turn off automatically if the timing mode is running out of time.

* Note: press the MODE or ON/OFF button, the remote controller clears sleeping mode away.

9. “iFEEL” button

* Press this button to set “iFEEL” function. The LCD shows the actual room temperature when the function set and it shows the setting temperature when the function cancelled.

* This function is invalid at Fan mode.

10. “DISPLAY” button

* In display mode, press button once, switch off “DISPLAY”, Press “DISPLAY” again, LCD will show ambient & setting temperature after flashing 5s. It's convenient for users to check ambient or setting temperature at any time in darkness.

11. “iCLEAN” button

* When remote controller is at the off state, press “iCLEAN” button, the unit runs “iCLEAN” function .

* The purpose of this function is to clean dust on evaporator and dry the inside water of evaporator and to prevent the evaporator going moldy due to water deposition and boasting strange smell.

* After setting “iCLEAN” function, press “iCLEAN” button or “ON/OFF “button to quit .

* The clean function will stop working after about 30 minutes running without any operation.

12. “ELE.H” button (for auxiliary electric heating IDU)

In heating mode, press this button, auxiliary electric heating will work.

13. “Anti-FUNGUS” button

* The purpose of this function is to dry the inside of the evaporator and to prevent the evaporator from going mouldy due to water deposition and thus dispersing strange smell.

* To operate the function: under “off” status of the A/C and the remote controller, press “**Anti-FUNGUS**” button for one time, the buzzer keep beeping five times again after five times beep, indicating that this function is ready.

* To cancel the function: 1. under “OFF “status of the A/C and the remote controller, press “**Anti-FUNGUS**” button again.

14. “SPOT SWING” button

* Press this button, the horizontal wind direction vanes can swing automatically, when you have the desired vertical wind direction.

* Press “**SPOT SWING**” again, the horizontal wind direction vanes will be stopped depend on you.

15. “ECO” button

* In cooling mode, press this button, the unit will run “**ECO**” economic operation mode which takes the least power consumption.

* After running for 8h, it will automatically quit. You can press “**ECO**” button once again to quit .

* Note: The unit will turn off automatically if the timing mode is running out of time.

16. Two white button: Addressing set

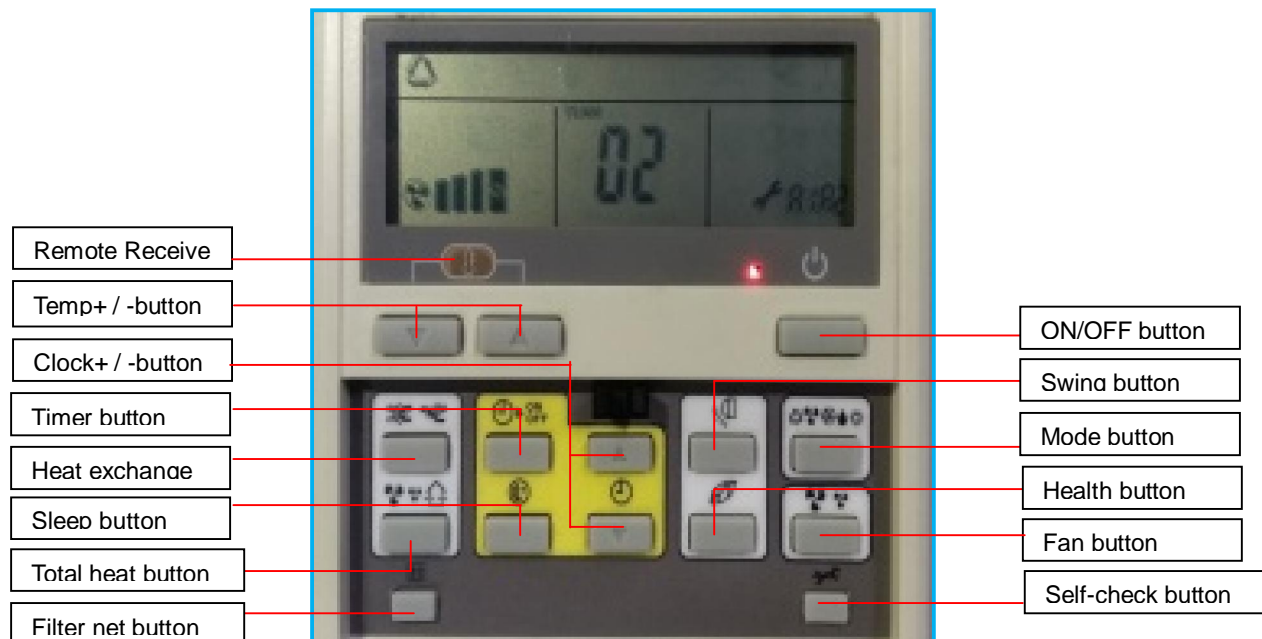
* With the controller off, pressing the two white button simultaneously more than 10 seconds or more to enter address setting. This status displays only temperature and time parameters, temperature display area shows “Serial number” parameters, the range is 0-99. Time display area shows “Set value”, the range is 0-255. The initial value is 1.

* By pressing “▲ / ▼ ” to set serial number + and -.Parameters within the serial number displays from 0 to 99 in circulation.


By pressing “**ECO**” and “**iCLEAN**” to set value number + and -.Parameters within the value number displays from 0 to 255 in circulation. After setting the two numbers, press the MODE button to confirm sending to ODU.

3. Wired Controller

3.1 XK-02A



ON/OFF button: Switch the unit ON/off.

Mode button: Select mode , push the button one time, then the operation modes will change in turn as below: Auto-Cooling-Dehumidify-Heating 

Temp +/- button: Press the button can adjust temperature. Temperature adjustment range: 16~32

Fan button: Change the fan speed will change in turn as :Auto-Low-Medium-High-Auto

Swing button: Press this button for the first time when operation, it will start the swing function. Push the button for the second time, cancel the swing function. (The function is available matched with the concerned unit)

Health button: Press this button change to switch mode: Health mode.

Sleep button: Press the button to display sleep symbol and initiate sleep function; press the button again or press button of **【Power】** to cancel sleep function and sleep symbol will disappear.

Timer button: Press the button to set Timer ON/OFF, press the button then “ON” will flicker on the display screen. then press **【Clock +/- button】**and to adjust hour that uses 12-hour clock including “A.M.” and “P.M.” time; press the button again to complete the setting. The “OFF” setting is the same methods.

Remark: When setting functions such as mode, temperature, swing and fan speed, display screen displays all presetting parameters and remains constant; after reaching presetting time, air conditioner will automatically start as per presetting state.

After setting timing ON and OFF function, pressing button of **【Timer】** can cancel timing setting.

Notes:

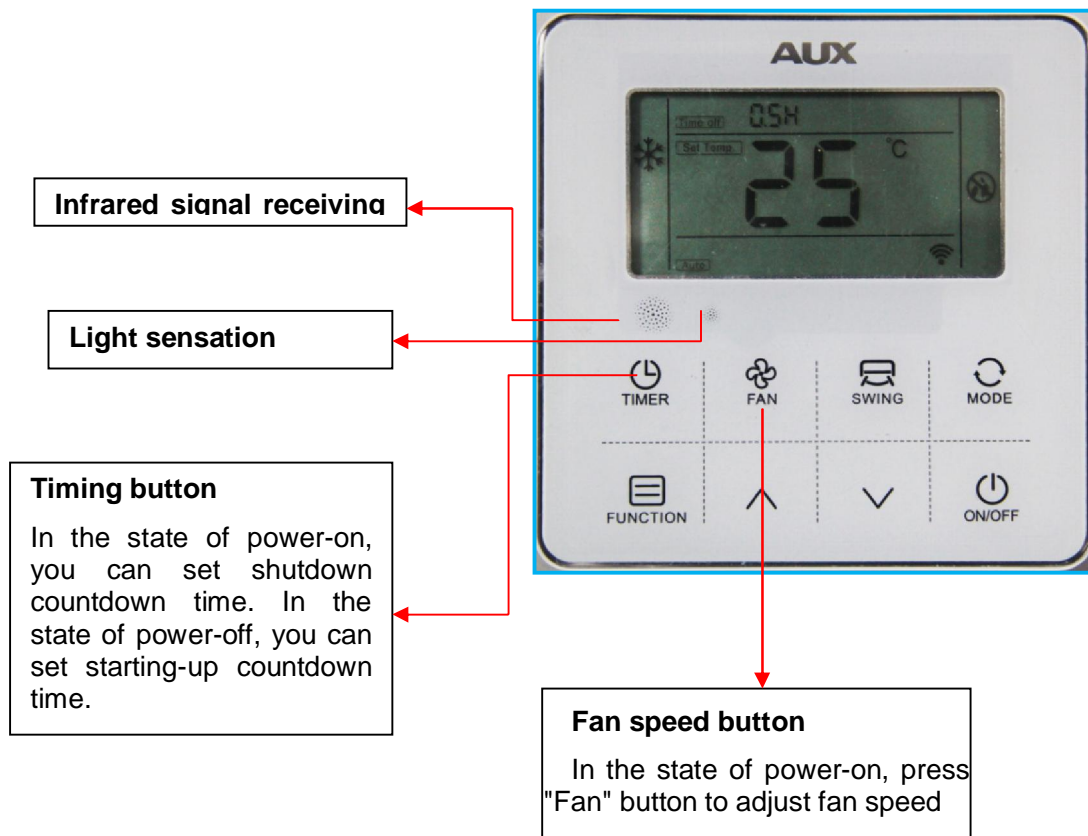
1. Time sequence of timing ON and OFF determines the order of “ Timing ON-Timer OFF ” and “ Timer OFF- Timing ON ” . If the both are the same or either one is the same as time of current clock, it is invalid to press “ Timer ” button to confirm presetting time; after it reaches the presetting time, it will implement corresponding timing operation.
2. After setting time of timing ON and OFF, pressing “Timer” button can cancel timing.
3. Enter into time setting state of timing function; if there is no input related to time within consecutive 10 seconds, cancel the operation, return to previous state and go on with current time.
4. Default time of timer ON is 08:00 and default time of timer OFF is 18:00.

Clock +/- button: Normally display the clock set currently (display 12:00 for the first electrifying or resetting). When press the 【Timer button】 button for 5 seconds, the time display zone will flicker, then press 【Clock +/- button】and to adjust hour that uses 12-hour clock including “A.M.” and “P.M.” time, press the 【Timer button】 again to complete the setting.

Filter Net button: When symbol of [Filter Net button] displays after wired controller receives “Filter” cleaning signal sent by indoor unit, press “Filter Net” button, “Filter Net” will go out and send filter cleaning reset signal to indoor unit; if [Filer] didn't display, it will be ineffective in case of short pressing of filter button.

Self-check button: Press the button to display group number and failure code of this wired controller. (Failure code of wired controller for each unit displays for 3 seconds, then automatically exit after displaying failure state of the whole unit); Continuously press the button for 5 seconds, failure code will be cleared in the normal state.

3.2 XK-05A

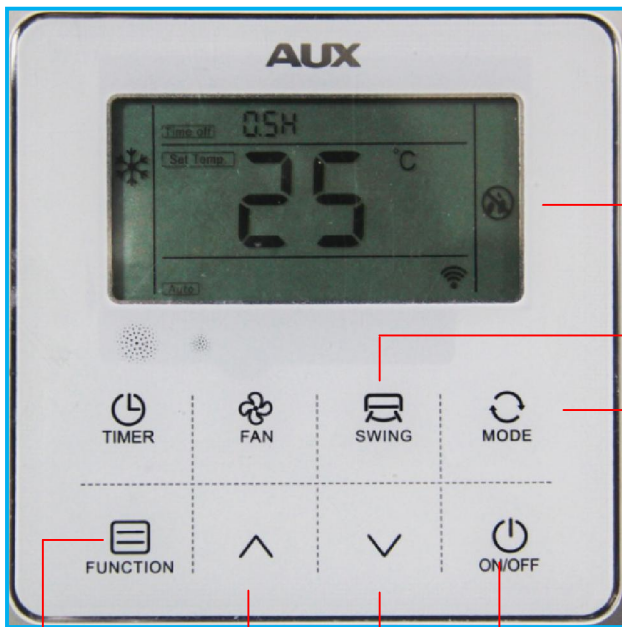


Main functions

- 8-keytouch button input;
- Buzzer prompt tone function
- LCD+ white backlight;
- Receive the signal of wireless remote controller.
- Ambient temperature detection sensor;
- Display the failure of main controller;

Technical indicators

- Power voltage range: DC 12V;
- Working ambient temperature:0 ~50 ;
- Working ambient humidity:RH20%~RH90%;
- Button: Touch button;
- Dimensions(W*H*D):120*120*20mm ;



Wire controller display

Swing button
 In the state of power-on, you can set up and down swing or left and right swing function (different swing functions for different units)

Mode switching button
 For operating mode select (five modes):
 AUTO [] COOL [] DRY [] FAN [] HEAT []

On/Off control

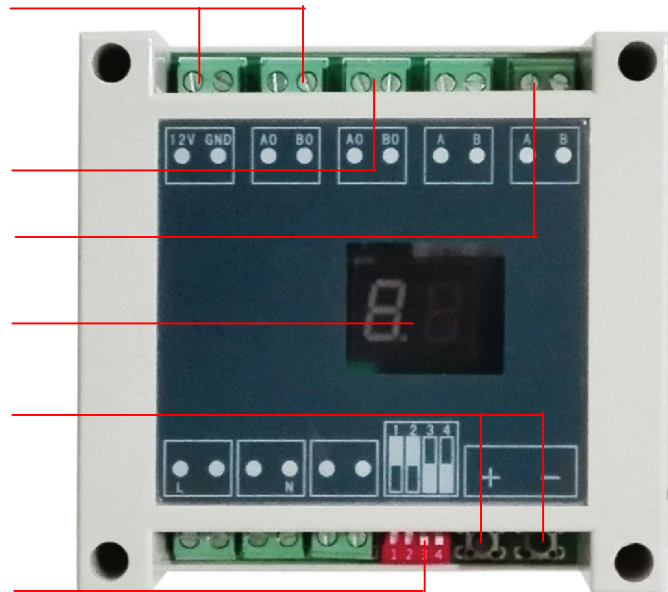
Adjustment
^ / v button
 Increase or decrease the set temperature / humidity ;
 Select a function;
 Adjust the timing time;
 Long press both “ ^ / v ” buttons to open the child lock.

Function buttons
 Enter/Cancel function menu;
 In function menu, press ^ / v button to select a desired function, and press "Function" button again to confirm.
 Similarly, use the same steps to cancel the function operation

4. Centralized Controller

4.1 Centralized Controller Adaptor

Centralized controller adaptor is used with centralized controller together.



To Centralized controller/

Supply power to controller (4 core wire)

To next Gateway (2 core wire)

To VRF system communication terminal "A.B" (2 core wire)

Display slave address/

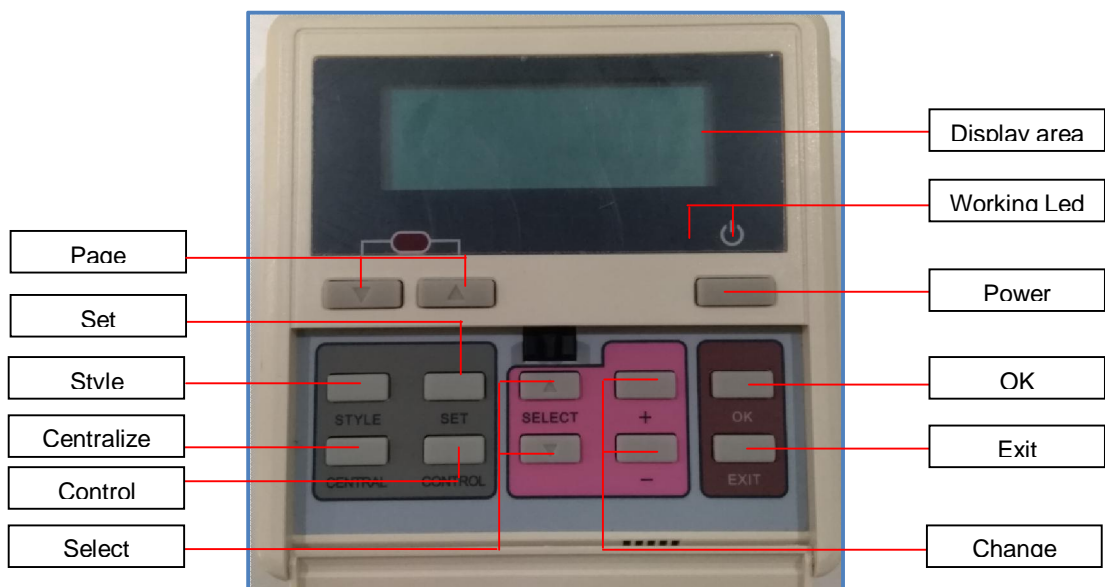
"01" means the first system."02" means the second system...

Setting MODBUS-RTU Slave Address/

1. Press "+" or "-" to activate the slave address setting functions;
2. Press "+" and "-" at the same time for 5 seconds , then the Digital Display will be Flashing every second;
3. Press "+" to add the Slave Address , Press "-" to decrease the Slave address;
4. After Setting Address finish , wait 5 seconds , then the Digital Display will stop Flashing and display the Slave Address.

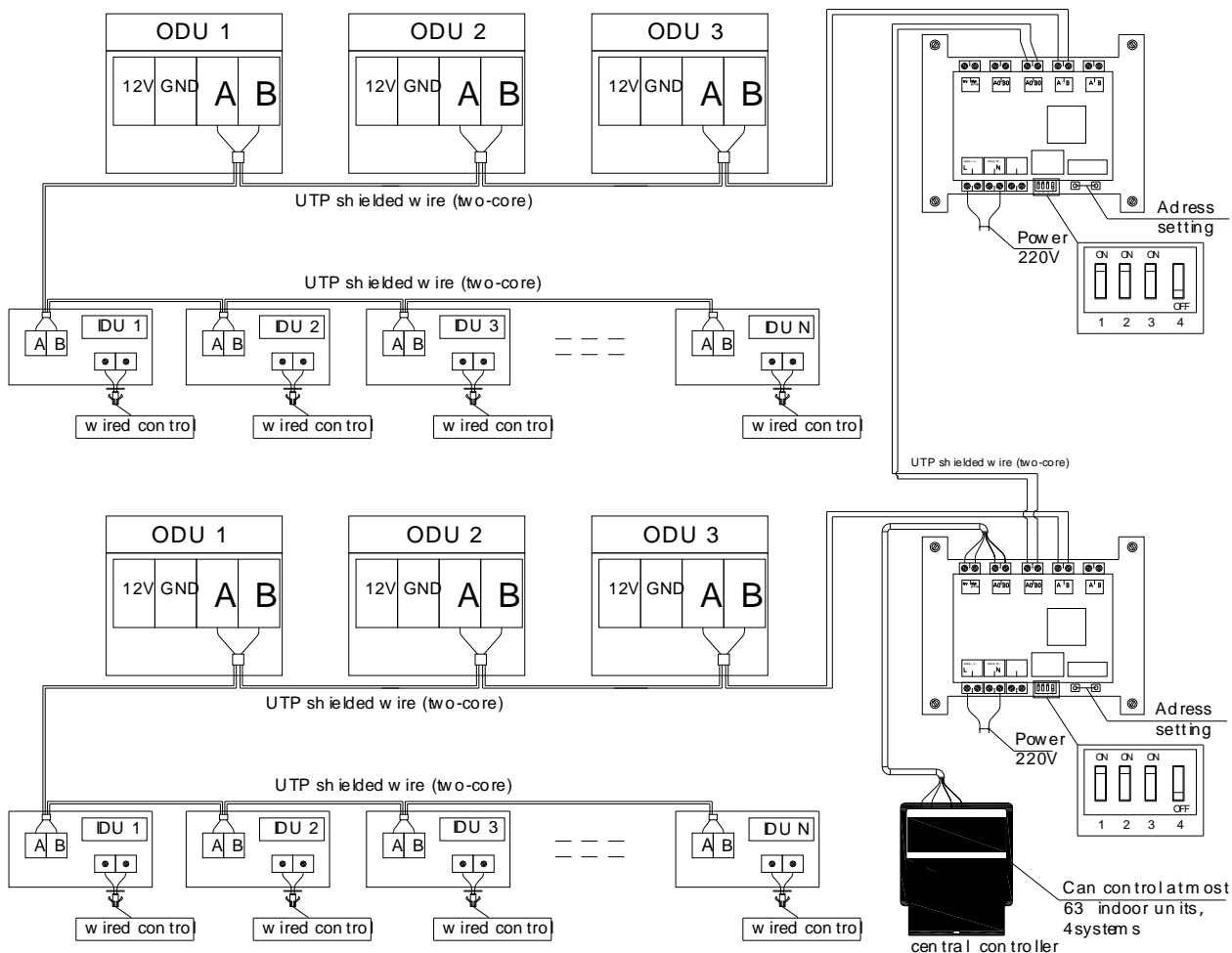
Dip-switch setting: **ON/ON/ON/OFF**

4.2 Button controller CC-01



(DCZCC-XK-SYE1)

4.1.1 Wiring Diagram



Centralized control schematic diagram

4.1.2 Centralized Controller function

- 1). Operation status of as many as **63 indoor units** can be monitored, including wind speed, set temperature, etc.
- 2). Mode, air speed and temperature setting are possible for individual/zoned/all indoor units.
- 3). 3 operation modes are available: Last-in Preferred, Centralized Control and Lock;
- 4). The malfunctions of the indoor units can be monitored and saved for inquiry;
- 5). Timed on/off is possible by specifying the exact time or by weekly schedule.
- 6). Any number of centralized units can be zoned with as many as 63 indoor units set as one zone, so that units in the same zone will carry out the same operation. (As the factory default, a centralized group is considered as a zone)

4.1.3 Operating Instructions

Enter main screen

During the initialization, no key inputs are processed until the end of the preliminary communication. After the end of the initialization, the centralized controller will display main screen a:

2011/01/18 10:00 Tue			

U n i t			
		W o r k i n g	0 5
T o t a l	1 0	S t a n d b y	0 5

Main screen a Note

Switching between the main screen a, b and c is possible by pressing the “Style” key. The main screen a,b and c are collectively called the “the main screens”.

Main screen a: displays the statistic data for the operation of the networked units.

Main screen b: displays list of the networked units.

Main screen c: displays the function information of individual units.

2011/01/18 10:00 Tue			

0102	0304	05	0708
		1011	
25			

Main screen b

2011/01/18 10:00 Tue			

Z o n e 01	M o d e :	C o o l	
U n i t 01	T e m p :	25℃	
	F a n :	L o w	

Note

When among all units, one or more are turned on, the operation indicator will light, otherwise, it will

remain off.

Reverse displayed numbers indicate the units that are currently on and normally displayed ones indicate those that are off. Numbers that are not displayed indicate the units that are either not exist or communicatively failed. Press “Page” key to view the next page.

Displays the information of the individual unit whose operation status is indicated by the operation indicator. Press “Page” key to view the information of the next unit.

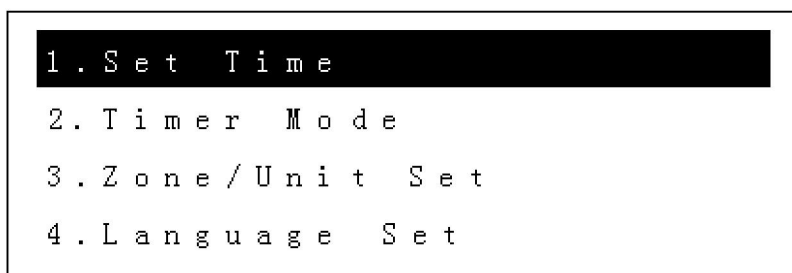
Quick on/off

When the operation indicator is on under main screen a and b, pressing “Power” key will turn off all units. When the operation indicator is off, pressing “Power” key will turn on all units .

Under main screen c, pressing “Power” key will only switch the operation status of the unit that is currently selected.

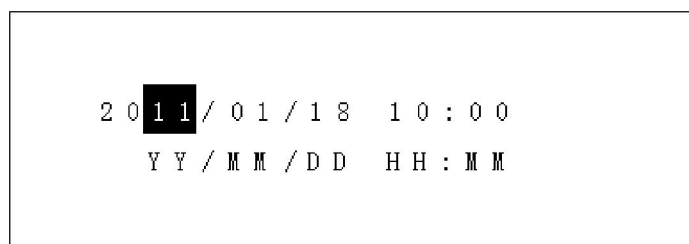
Set /change time

Under the main screens, press “Set” key to enter the page “ Set Manu”:



Page “Set Manu”

Select “Set Time” with the “Select” key , then press “Ok” to enter the page “ Time Setting ”.



Page “Time setting”

Under “Time Setting” screen, switch between the items using the “Select” key. The reversely displayed item is the selected one. Change it using the “Change” key.

Then, press “Ok” key to make the change effective and return to page “ Set Manu” .

If the “Exit” key is pressed during making the change, you will return to the main screen without the change being effective.

Pressing and holding the “Change” key for 2 seconds enables fast changing.

Timer Mode

Under the main screen, press “Set” key to enter the page “Set Manu”. Then, select “Timer Mode”

using the “Select” key. The timer mode that is currently selected will display on the right of the line. Using the “Change” key to select the desired timer mode. Then press “Ok” key to enter the corresponding page of timer mode.

Under the page “Set Manu”, select “Timer Mode”, then select “No Timer” using the “Change” key to deactivate the timer function.

The centralized controller support 3 timer modes: “Current”, “Daily” and “Weekly”. Only one timer mode can be activated at the same time.

Current / Daily Timing

Open	Time 1:	08:00
Close	Time 1:	17:00
Open	Time 2:	09:00
Close	Time 2:	16:00

Current/Daily Timing

Current and daily timer mode each has 4 timers with 2 designated for open and the other 2 for close.

Switch between the timers using the “Select” key. The reversely displayed item is the currently selected one.

Change the time of it using “Change” key. Pressing and holding the “Change” key for 2 seconds enables fast changing.

All timers work at same time.

Current timer works only for the current day, with the timer mode automatically switched to “No Timer”. The Daily timer always works.

If two timers are of the same time but different types, the one that is set to close will be executed.

If it is set to open and close the system at the same time, the close order will be executed.

The timers are executed by time order. If the current status of the current unit is the same as the target status set by the timer, the timer will be automatically ignored.

As exemplified in the above figure, the system is set to open at 8:00AM and close at 16:00 PM.

Weekly Timer

1. Open	08:00	SMTWTF S
2. Close	17:00	SMTWTF S
3. Not Used		
4. Not Used		

The list of weekly timers

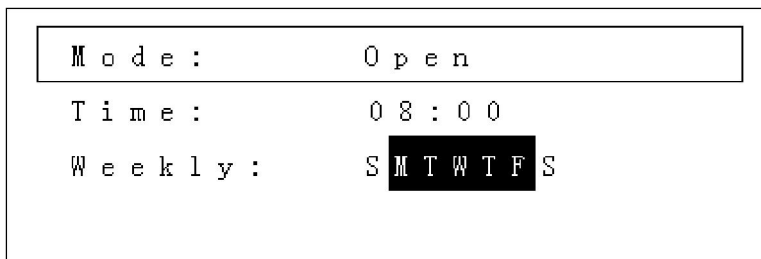
There are 8 weekly timers and the one with the frame shown is currently selected.

“Open” and “Close” indicate the related timer is an open and close timer, respectively. “Not Used”

indicates that the timer is invalid. "SMTWTFS" indicate the day selection with each letter representing Sunday, Monday, Tuesday, Wednesday, Thursday, Friday, Saturday, respectively. The reversely displayed letter(s) indicates when the timer will work while the normally displayed one(s) indicates when it won't work.

As exemplified timer 1 is currently selected, timer 1 and timer 2 are activated, other timers are invalid. Thus the timing is as follows: The system is set to open at 8:00 AM and close at 17:00 PM from Monday to Friday each week. No operation on Saturday and Sunday.

Switch between timer 1-8 using "select" key , with the selected one shown with frame. Now press "Ok" key to enter the change page of the corresponding timer and make desired settings.



Change weekly timing

The 3 lines are "Mode", "Time" and "Weekly" respectively.

The line with the frame shown is currently selected.

The "Mode" line is to set whether the timer is activated or not and whether it is set to open or close the unit.

The "Time" line is to set the work time of the timer.

The "Weekly" line is to set the days on which the timer is activated with those days indicated reversely.

Switch between the selected item using "Select" key , with the selected one shown with frame.

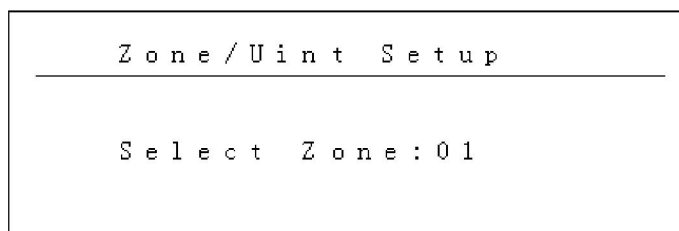
Press "Change" key to make desired changes.

After making all the changes, press "Exit" key to return to the previous screen. The setting is now finished.

The operation of the other weekly timers are the same as the above. After making the changes, press "Exit" key to return to the main screen.

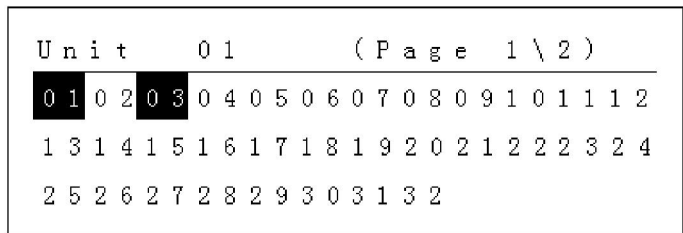
Zone/Unit Set

Under the main screen, press "Set" key to enter the page "Set Manu". Then, select "Zone/Unit Set" using the "Select" key. Press "Ok" key to enter the page "Zone/Unit setting".



Page "Zone/Unit setting"

Select the number of the zone to set using the “Select” key. Press the “Ok” key to distribute the members.



Page “Member Distribution”

Under the page “Member Distribution”, select among the different unit numbers. The selected one will flash and the corresponding unit number will be displayed in the first line. Using the “Change” key to decide whether to join the current zone. The reversely displayed numbers belong to the current zone while the normally displayed ones do not belong to the current zone.

Press “Page” keys to display other pages.

After all members are set , press “Ok” key to finish the setting of the current zone.

To set other zones, select the corresponding numbers and repeat the above operation.

Language Set

Under the main screen, press “Set” key to enter the page “Set Manu”. Then, select “Language Set” using the “Select” key. Press “Ok” key to enter the page “Language Setting”.



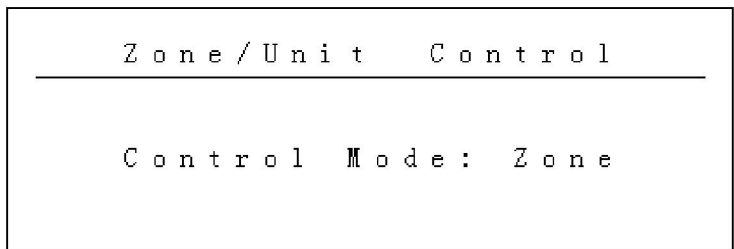
Page “Language Setting”

Under page “Language Setting”, press “Change” key to select the desired language : Chinese or English.

After selecting the desired language, press “Ok” key to activate that language.

Zoned Control

Under the main screens, press “Control” key to enter the page “ Set Manu a”:



Set Manu a

Under the page “Set Manu a”, press “Change” key to select among the 3 control modes: “All”, “Zone” and “Unit”. After selecting the desired mode, press “Ok” key to enter the submenu.

Pressing “All” mode will directly open the page “Control Setting” and others will open the page “Set Manu b”. Select the target code and press “Ok” to enter the page “Control Setting”.

<p>Z o n e / U n i t C o n t r o l</p> <hr/> <p>Z o n e N u m b e r : 0 1</p>	<p>R a n g e</p> <hr/> <p>Z o n e 0 1</p>	<p>O n / O f f : W o r k</p> <p>M o d e : C o o l</p> <p>T e m p : 2 5 ° C</p> <p>F a n : L o w</p>
--	---	--


In the page “Control Setting”, the items displayed on the left are the control targets and those displayed on the right are the specific controls. Press “Select” key to switch between the different items and change the controls using “Change” key. After changing the setting, press “Ok” key to make the change effective.

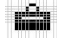
Centralized Control and Lock Functions

Under the main screen, press “Centralize” key to switch between the regular, centralized and lock modes.

The upper right icon on the main screen indicates centralize status.

The icon is not displayed in the regular mode and the indoor unit is controlled in “Last-in Preferred” mode.

In the centralized mode, a  icon will display with the indoor unit run under the settings of the centralized controller, but the remote control and line control work for the open and close of the indoor unit.

In the lock mode, a  icon will display with the operation status of the centralized controller remain unchanged. The remote control and the line control do not work for the open and close of the indoor unit.

Failure Inquiry Function

Under the main screens, press and hold the “Style” key to enter the “Historical Failures Inquiry” screen.

<p>F a u l t</p> <hr/> <p>U n i t 0 1</p> <p>R e c e n t l y : a 3</p> <p>P r e v i o u s l y : j 4</p>	<p>(0 1 / 2 0)</p>
--	----------------------

Historical Failure Inquiries

Under the page “Historical Failure Inquiry”, press “Select” key to switch between the historical failures of each unit, with units that have no historical failures

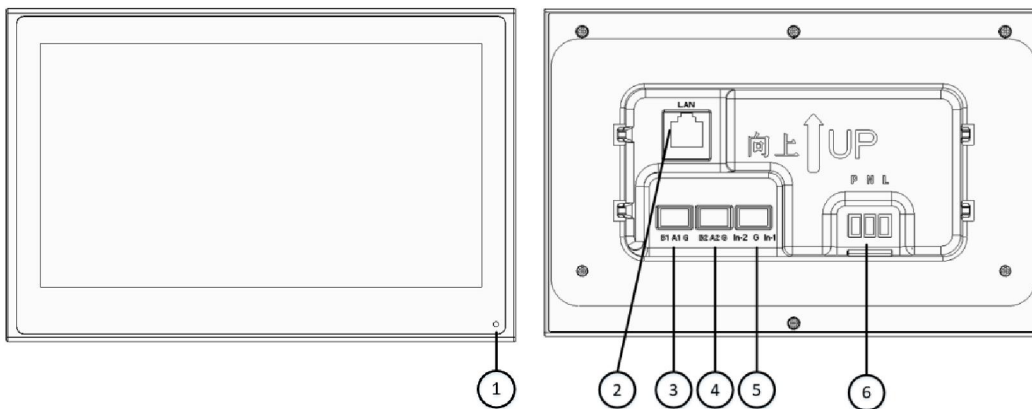
For the meaning of the specific trouble code, refer to the technical manual of the unit.

4.3 Touch controller CC-02



Dimension : Front 177*116*12.5mm ; behind : 120*60*26 mm

4.3.1 Interface specification



Indicator light

RJ45 WAN

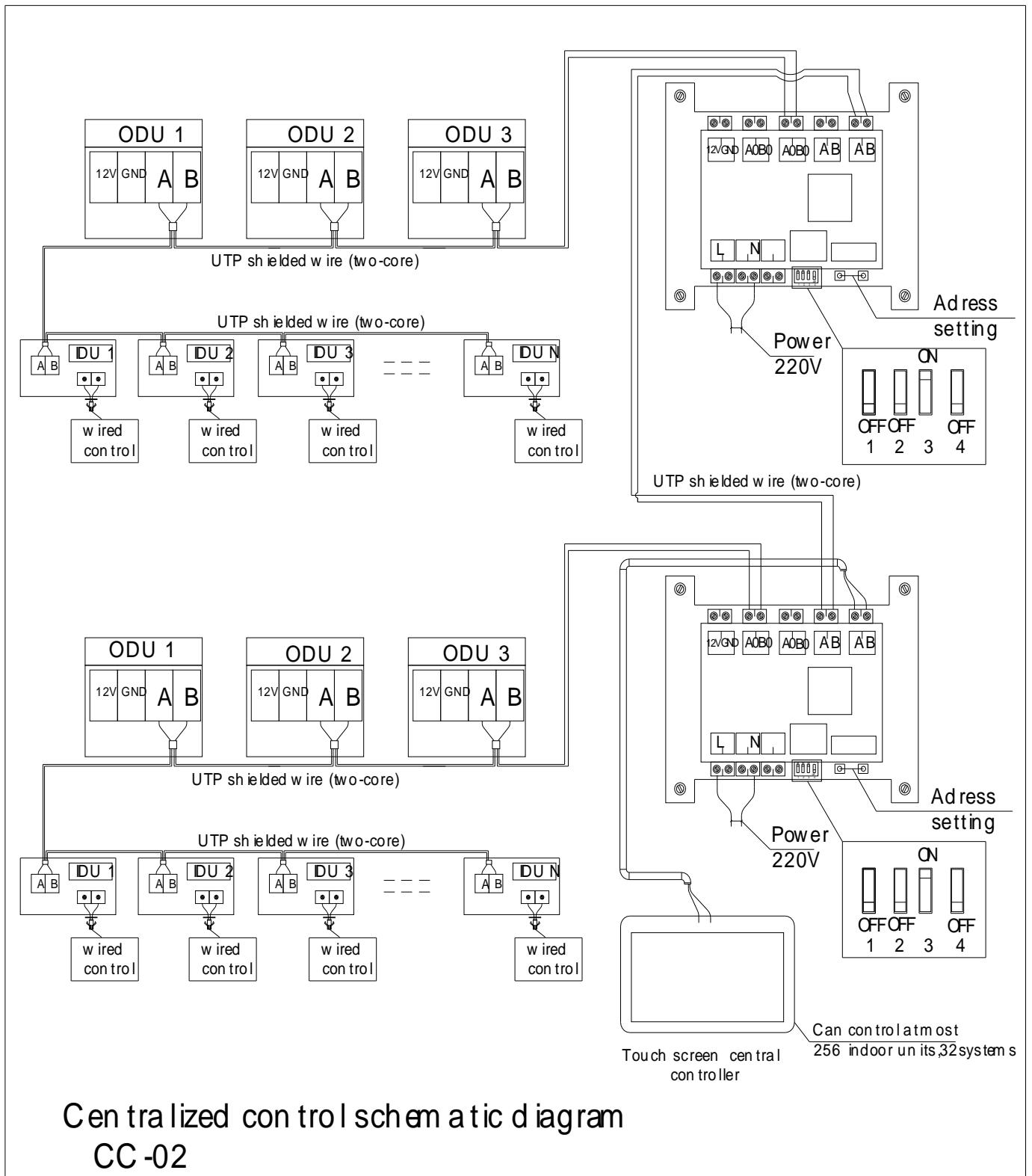
RS485 interface 1: B1- signal line negative pole; A1- signal line positive pole; G- signal ground wire

RS485 interface 2: B2- signal line positive pole; A2- signal line positive pole; G- signal ground wire

2 Way DI fire input interface: IN-1- input port; IN-2- input port; G- signal ground wire

AC~220V power input: L- FireWire; N- zero line; P- protection ground wire

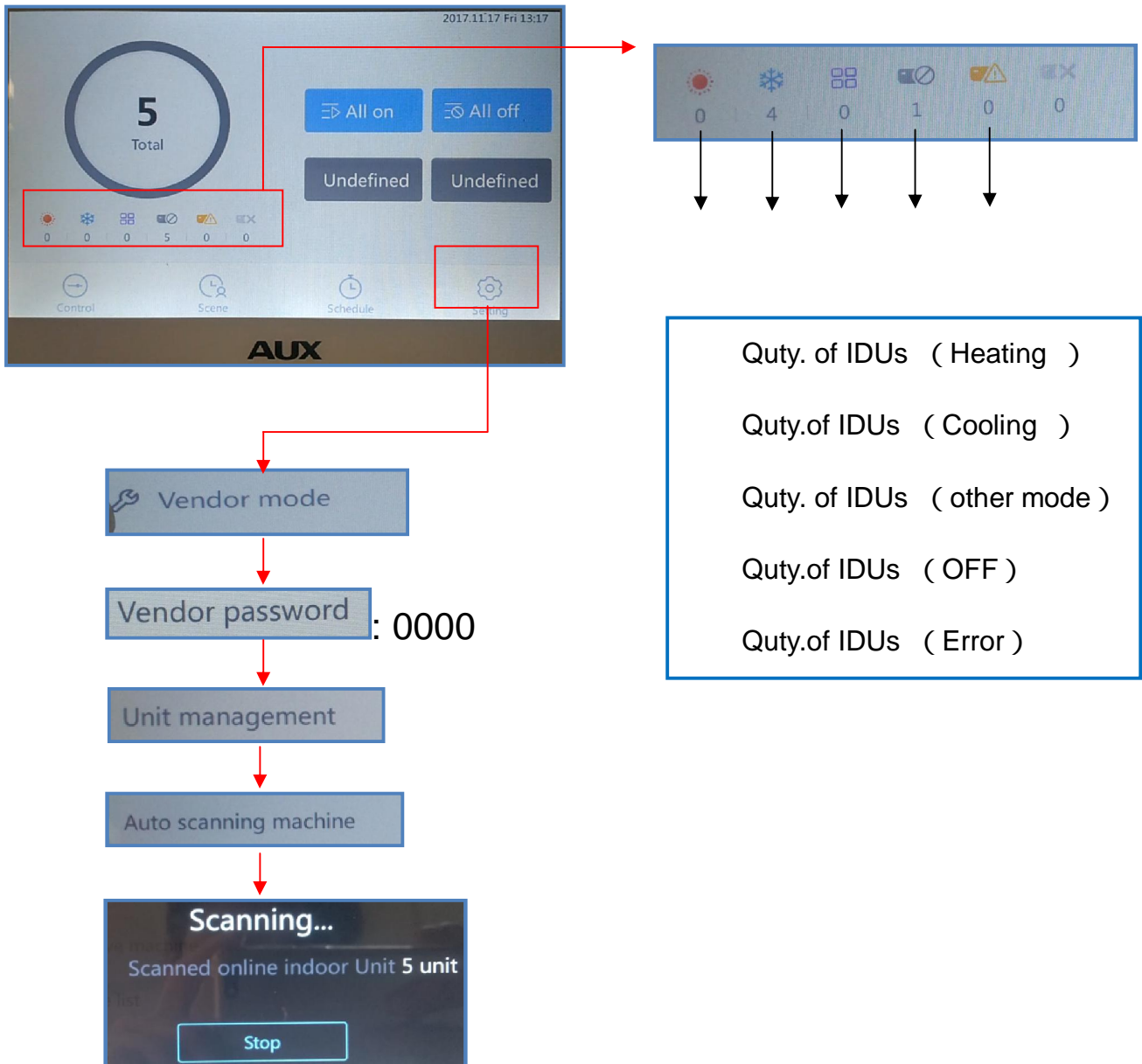
4.3.2 Wiring Diagram



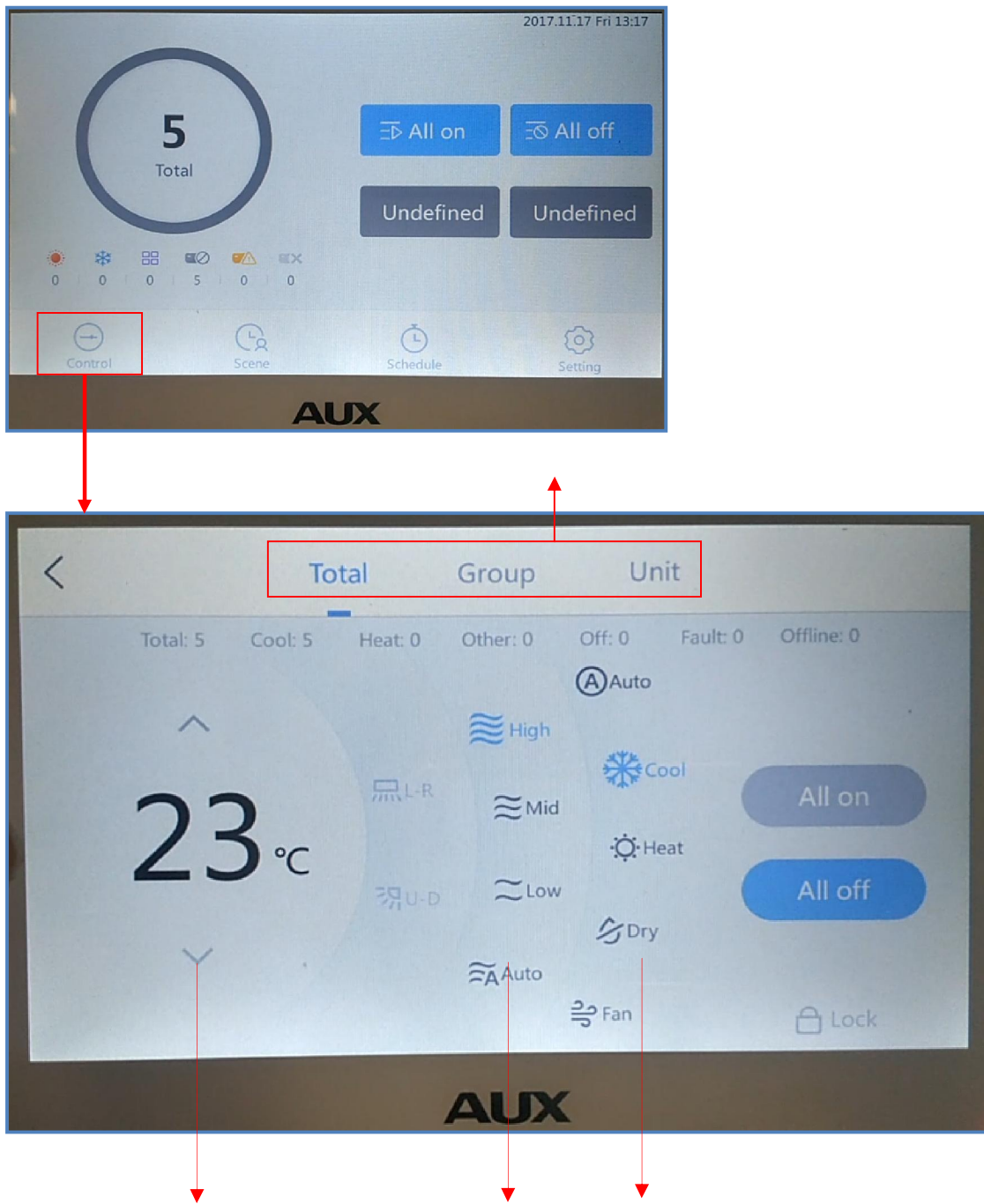
4.3.3 Centralized Controller function

AUX touch screen centralized controller is a multifunctional device that can control up to **256 indoor units / 32 systems** within a maximum connection length of 1200meters. Users could enjoy the flexibility of either controlling multiple units as a group or controlling each unit individually.

4.3.3.1 Auto scanning indoor units

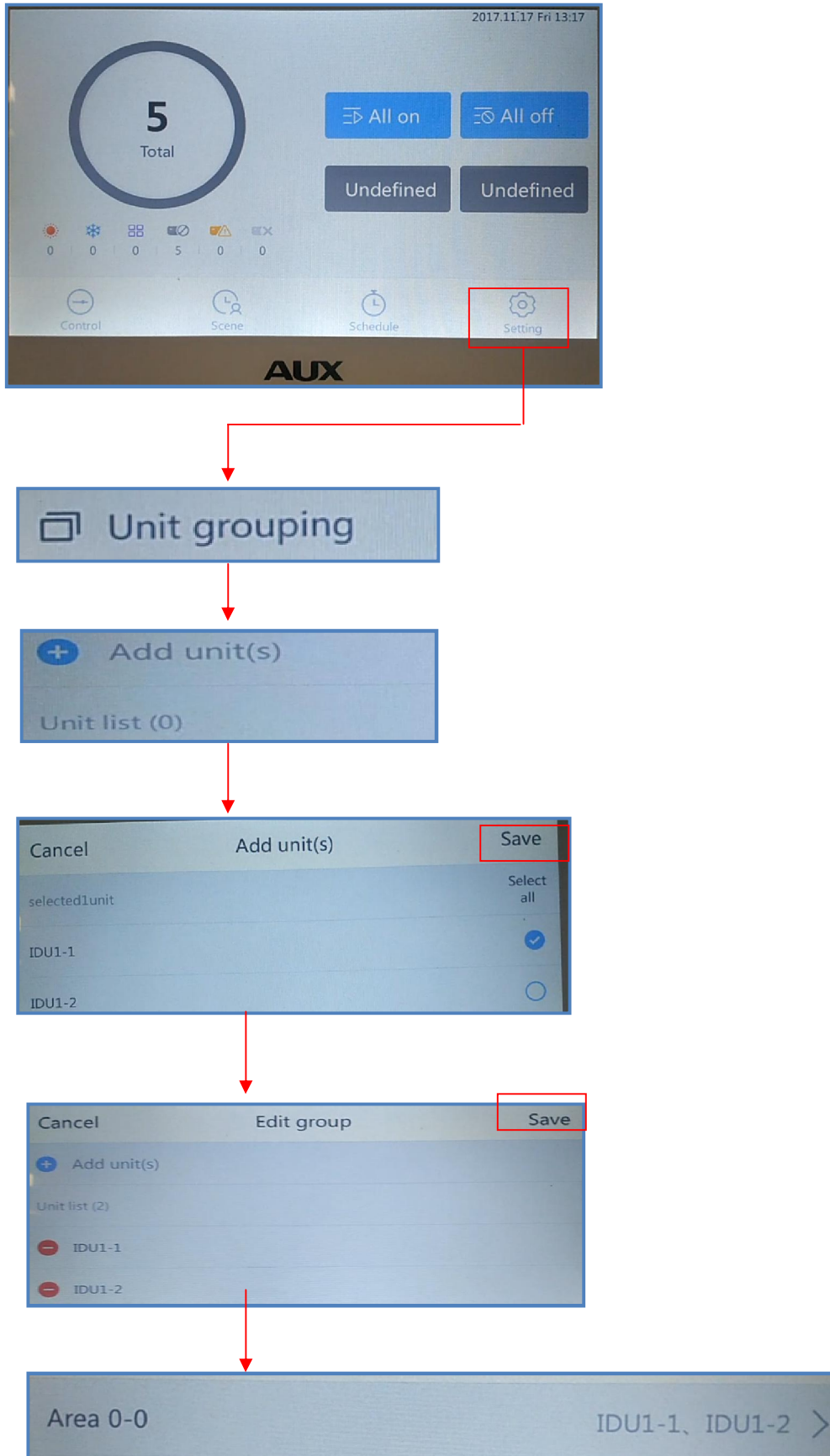


4.3.3.2 Indoor units operation

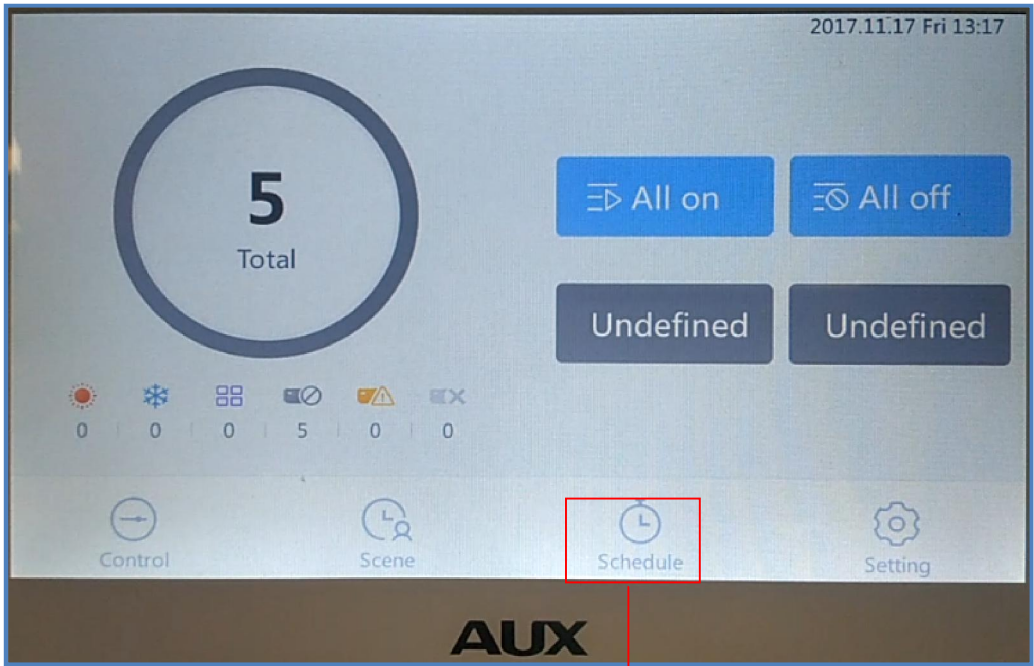


- Control options (Total/Group/Unit)
- Temperature setting
- Fan speed setting (High/Mid/Low/Auto)
- Mode setting (Auto/cool/heat/dry/fan)

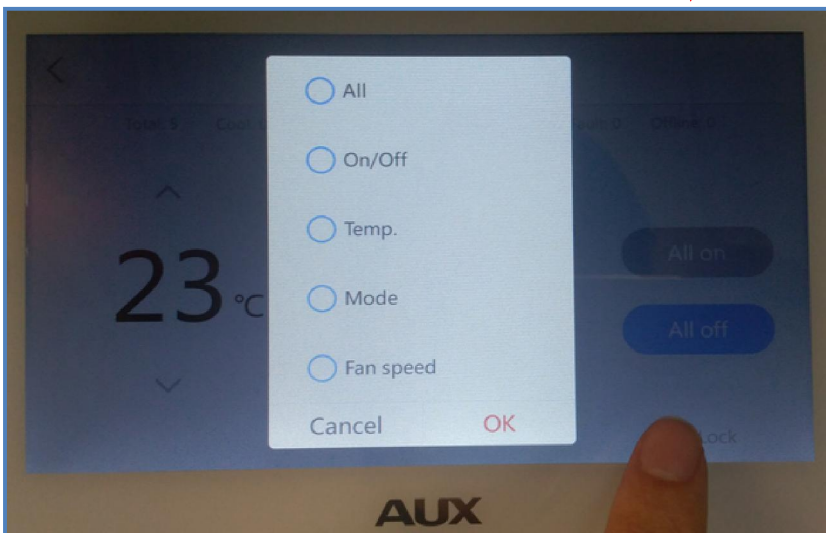
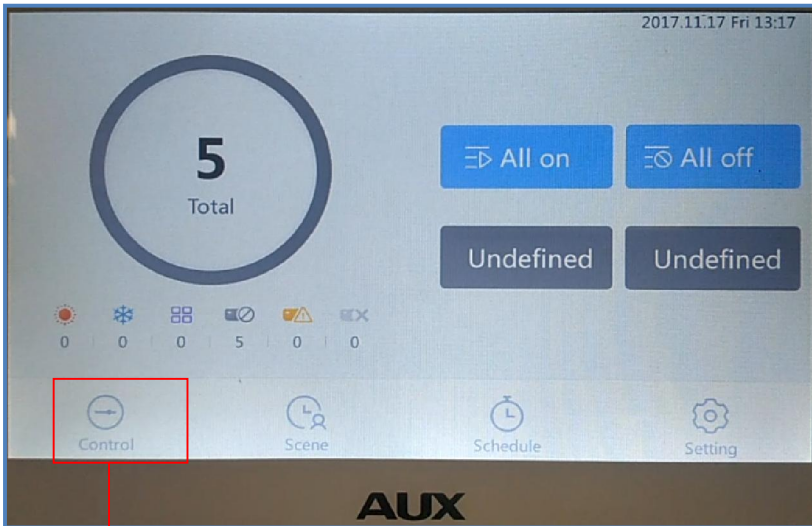
4.3.3.3 Grouping / region setting



4.3.3.4 Weekly Schedule Control

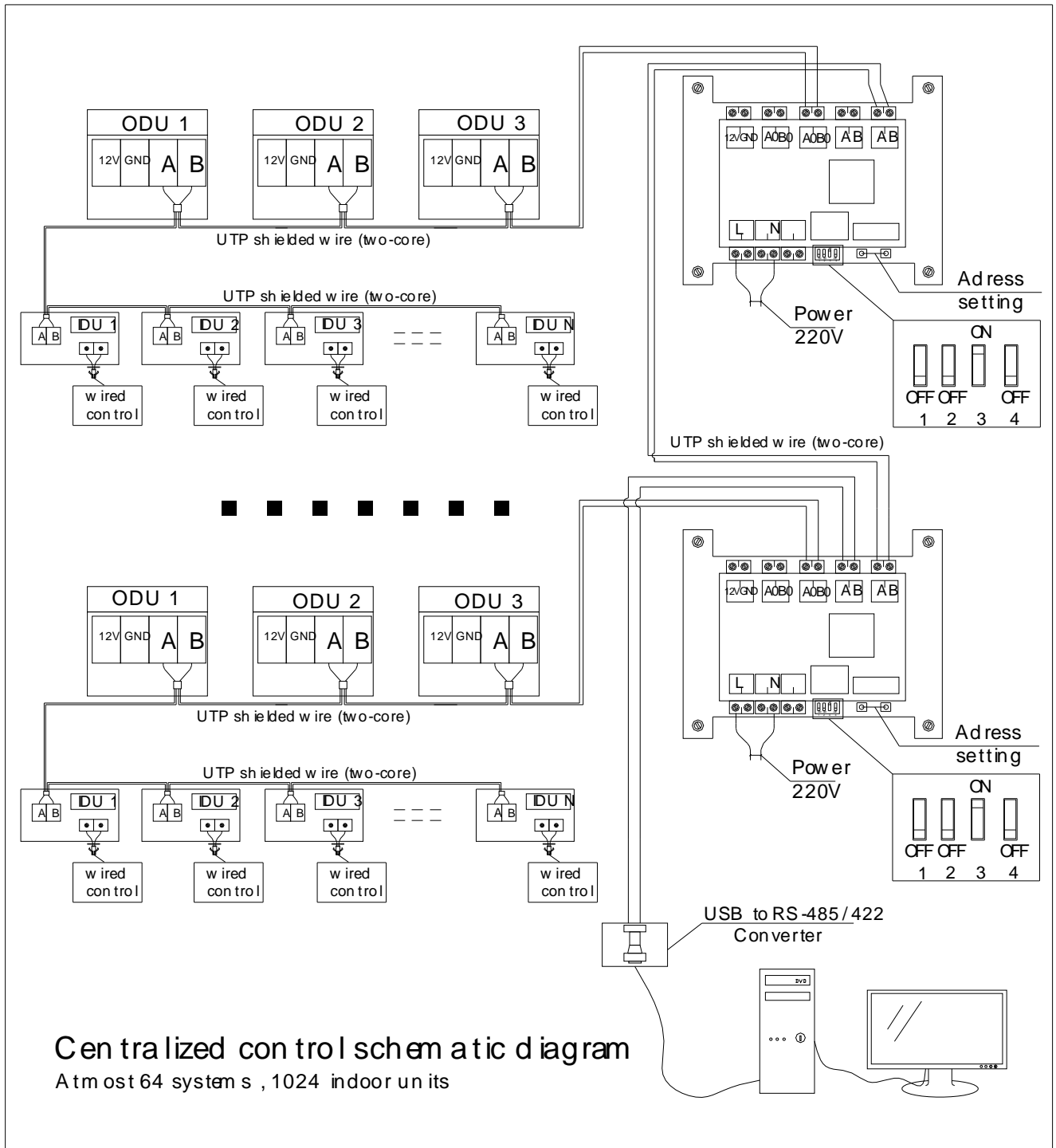


4.3.3.5 Multiple Lock function



6. Centralized Controller Software

6.1 System overview



6.2 Features

Users do not need to arrive the harsh environment of the site, they can monitor the function of units just through computer. These greatly improve convenience of daily management and the efficiency of central air conditioners;

Centralized control can improve the efficiency of air conditioners. It is more energy-efficient and environmental ;

Timely find the fault and save the maintenance cost of air conditioner units, minimize losses ;

Timer function with multi-period week, fully automated schedule planning of unit;

This system is suitable for all DC inverter ARV types of AUX;






Each ARV unit can access at most 63 indoor sets;

This system can access at most 64 ARV outdoor systems, it need to access repeater to increase RS485 network equipment if the outdoor systems are more than 64. The way of wiring is instructed in Engineering installation and wiring description;

Every ARV unit need to configured a communication adapter plate;

If PC has RS-485 interface, there is no need to configuration RS-232 to RS-485/422 Optically isolator.

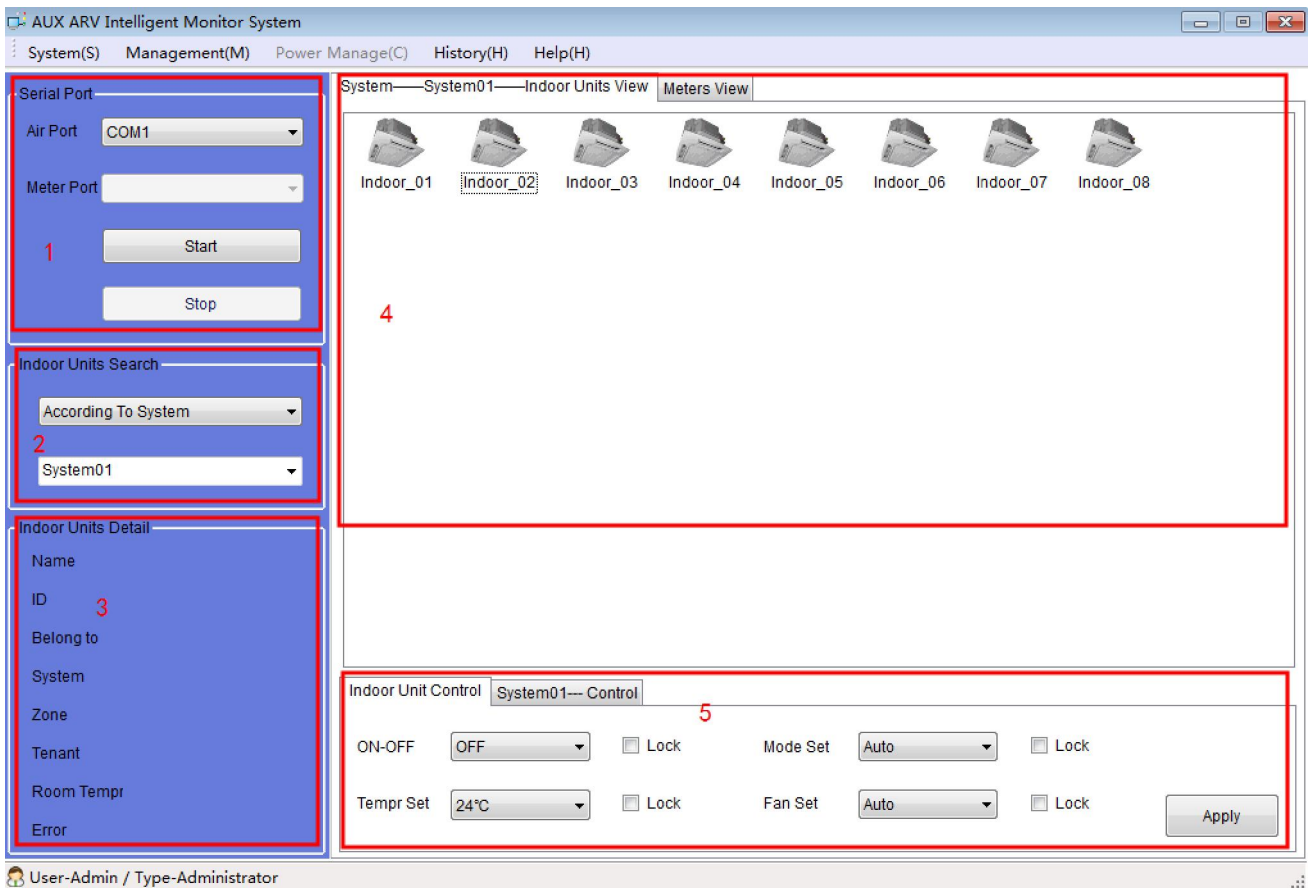
6.3 Main components of Centralized Controller System

NO	Main Components	Requirement & Function
1	Host computer 	Operation system: Windows XP SP32 and above, Windows 7
2	Adapter plate 	Computer and communication protocol and unit end communication protocol are incompatible with each other, must add communication adapter plate to make both communicate. Each ARV system matches 1 adapter plate.
3	RS-232 to RS-485/422 	The centralized control system RS485 network signal conversion for RS232 serial signal to achieve the interconnection of computers with centralized control system.
4	USB to RS-485/422 	The centralized control system RS485 network signal conversion for USB to achieve the interconnection of laptops with centralized control system.
5	RS-485/422 Repeater 	Extend the communication distance and increase the number of RS-485 bus network. The repeater is not required, only when there is more than 30 systems or communication distance is more than 800 meters.

6.4 Software install and uninstall

- 1) Run setup.exe in CD to install;
- 2) If operation system has not installed Windows Install 3.1 and Windows .NET Framework 3.5, the installation program will install the two program first; when programs installation is completed, system installation will be continue, the default installation path is D:\Program Files\Aux Group\AUX_ARV_Setup.
- 3) uninstall: select [Control Panel- Add or Remove Programs -AUX_ARV_Setup],click"Cancel" to uninstall.

6.5 Software introduction Main interface



Area 1 --Serial setting area, choose the serial and press “Start Working” button, system will in operation, press “Stop Working” button, system will stop working;

Area 2 --The inquire area for air conditioner unit, it can be divided into the system inquire and user-defined group inquire, the inquired unit will be displayed in area 4.

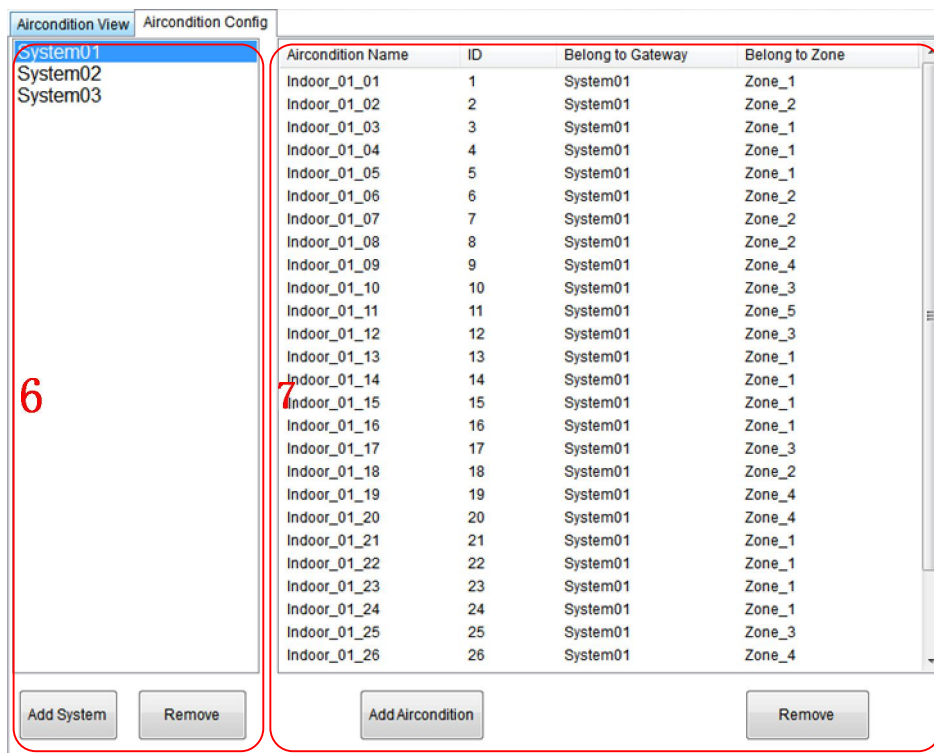
Area 3 --Display area of single air conditioner indoor unit, select one of indoor units in area 4, then the area will display the name, ID (address of indoor unit), system belonged, group belonged, current condition, the room temperature of indoor unit, failure etc.

Area 4 --Display area of air conditioner group, as shown in above picture, it displayed all the indoor unit in the group System01.

Area 5 --Control area of air conditioner, it can control one single air conditioner and some air conditioner group, this will be described in detail later.

5.6 System initial setting

Click “Aircondition Config” in area 4,it will enter the interface of system initial setting. Initial setting is divided into 3 parts: added/removed outdoor unit system, added/modified/removed air conditioner, add/changed user-defined group.



Added/removed outdoor unit system

Area 6 shown in the figure above is the operation area of added/removed outdoor unit system. The quantity of outdoor unit system of the whole project must match with the added one in figure 6, and the centralized control address (the address displayed on communication adapter plate)of every system must correspond with the system serial number.

Note:

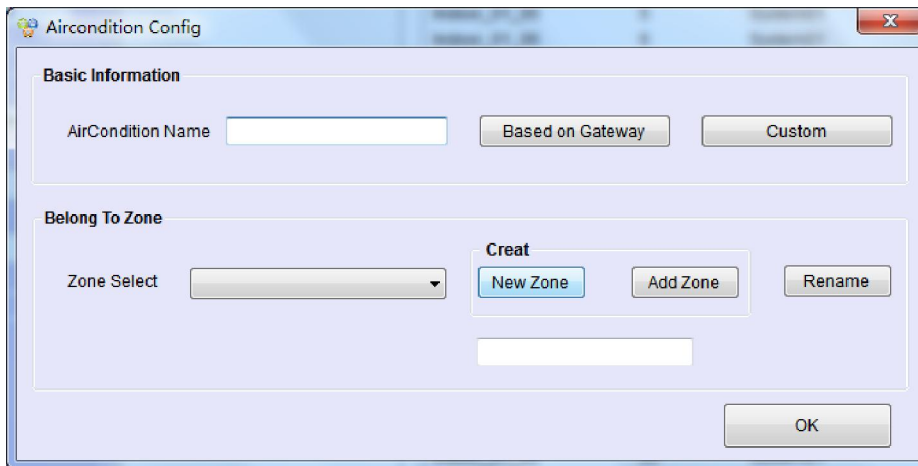
If the outdoor unit system deleted, the indoor unit belonged in it will also be delete! Please handle with care.

Added/deleted indoor unit

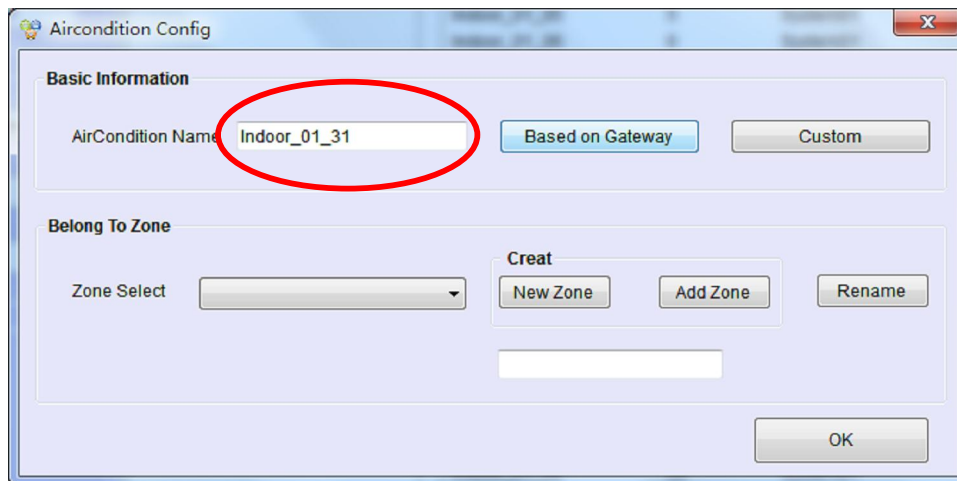
Area 7 shown in the figure above is the operation area of added/deleted indoor unit. Before added, user need to select one option in area 6 shows that he would add indoor unit in that outdoor system(the added quantity of indoor unit system must match with the actual quantity in the outdoor system).

5.7 Concrete operation:

Click “Add Aircondition” button, the following dialog box will pop up

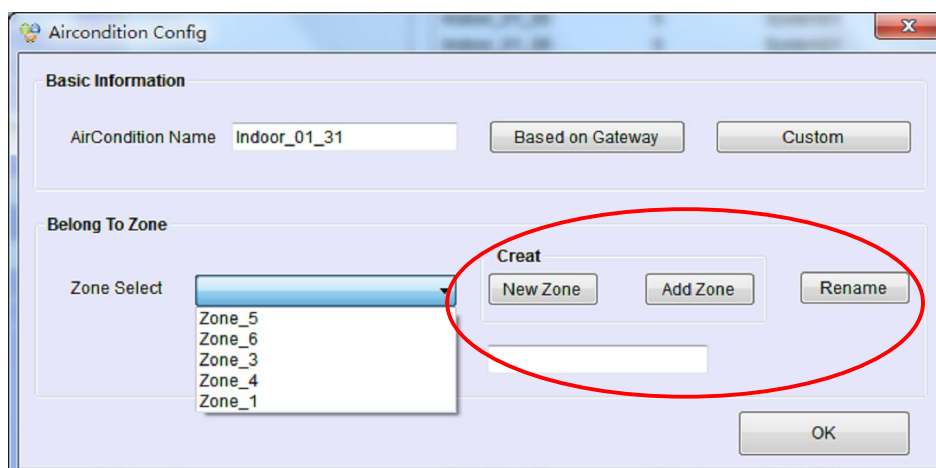


Click Based On Gateway button, there will generate a name (the red circle part in the figure below) according to indoor unit address and the system it belongs; click Custom button, user need to set a name by himself.



Then is to choose the group the air conditioners belong. User can choose a group defined by himself in Area Select. If there has not user-defined group, user can establish a user-defined group in Create nodule, detail explanation in Added/changed user-defined group. Click "OK" to complete new group addition after the completion of the new group added..

5.8 Added/changed user-defined group



The red circle part in the figure above is the added and changed operation area.

If user need to add new group, first, click New Zone button and input the name of user-defined group, then click Add Zone button, here will show the name inputted just now , establishment complete;

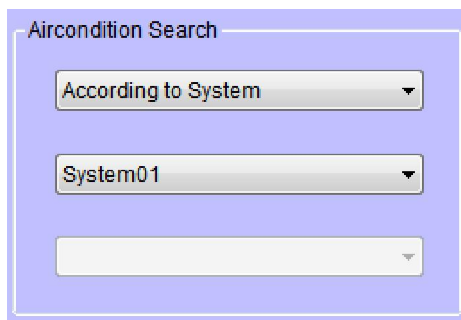
If user need to modify the name of group, select the group in Zone Select , input the new name, then click the Rename button, modification complete when the new name show in Zone Select.;

Note:

Group deletion does not support now, be careful when adding.

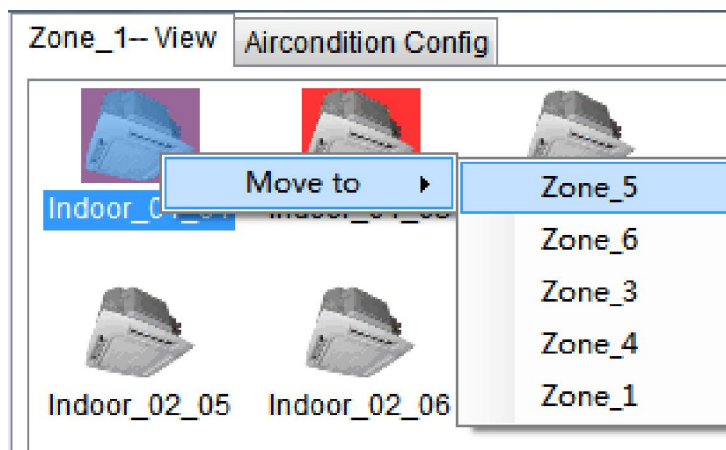
5.9 System query operation

System query operation includes system query and user-defined group query. Query ways can be chosen as the figure below:

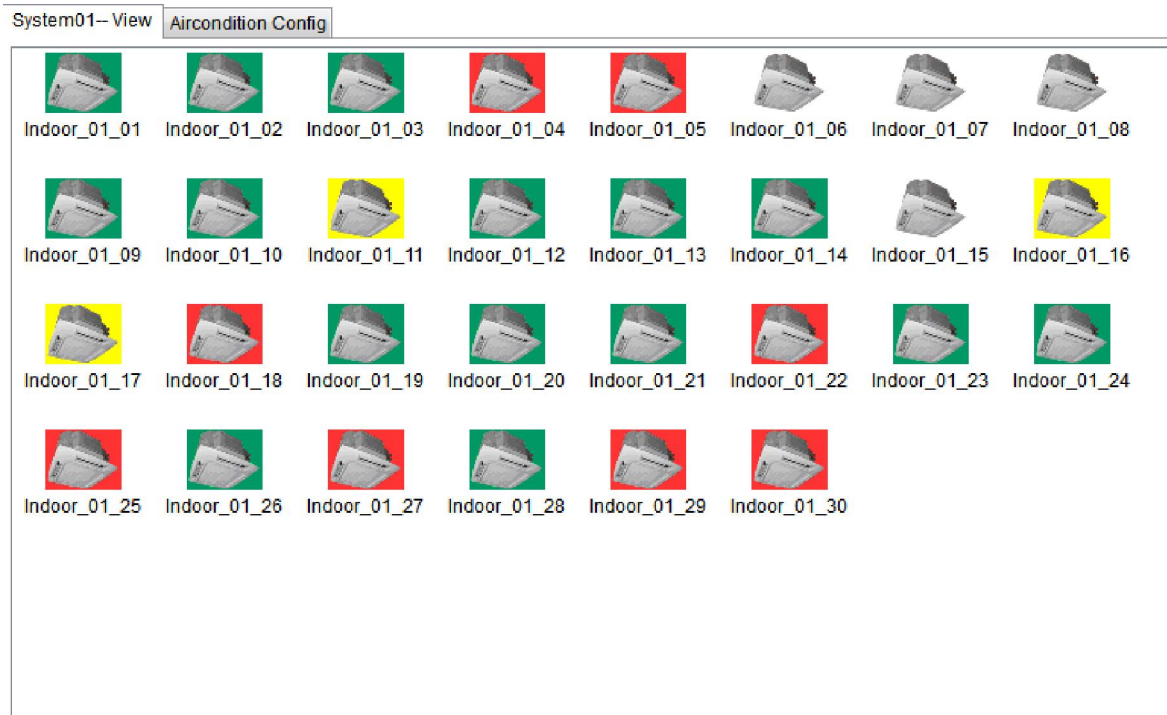


If the chosen group is in According to System, then all the unit condition of the group will be displayed in area 4(area 4 will display the condition of all the indoor unit in System01 as the above picture shows).

If user chooses one of the group in According to Zone, area 4 will display the condition of all the units in it. In addition, user can move the indoor unit to other groups arbitrarily under the state of user-defined group query, its operation as follow figure:



When system is working(click Start Working in area 1), area 4 will display all the working condition if Indoor unit, as shown in the following figure——

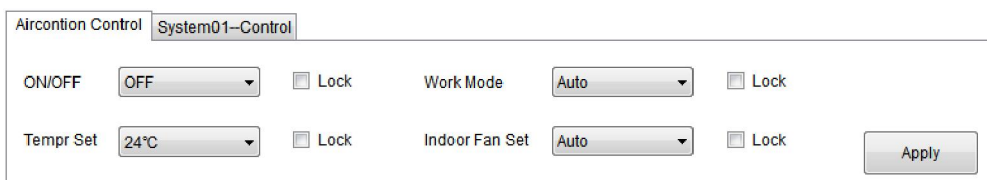


No background is turned off;
 Green background is turned on;
 Red background is system failure;
 Yellow background is communication failure or electrical failure.

5.10 System control operation

System control can be divided into single unit control; group control and weekly group timing control 3 parts. Single unit control achieves the controlling of one indoor unit; group control achieves the controlling of System group and Zone group; weekly group timing control achieves the weekly timing control of Zone group (user-defined group).

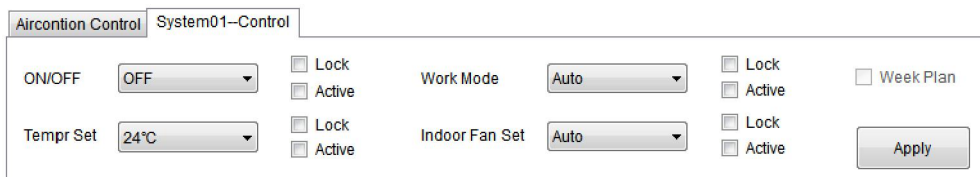
1) Single unit control



Besides on/off, temperature setting, mode setting, indoor speed setting, single unit control added the lock function (lock the 4 function above). If one function is locked, user cannot use it. For example, if ON/OFF is lock(choose Lock in ON/OFF), user cannot turn on/off the locked unit by remote or wired controller. Indoor unit will executive command when click Apply after setting completed.

2) Group control

Group control achieves the unified control of one group, setting interface is shown as following figure:

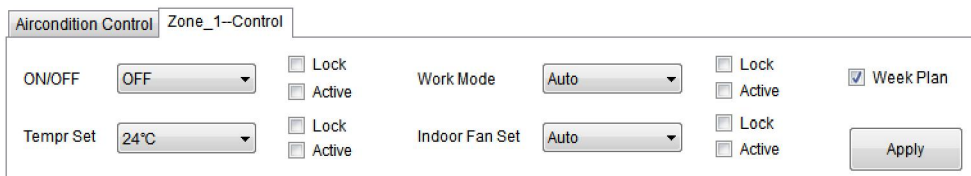


Besides the general control and locking control of single unit control, group control is added the Active function. The matching state of indoor unit will change only when choose Apply function, unselected ones stay unchanged. For example, choose ON and Active, all the indoor units will be turned on, but the temperature, mode, speed will not be changed like the setting of group.

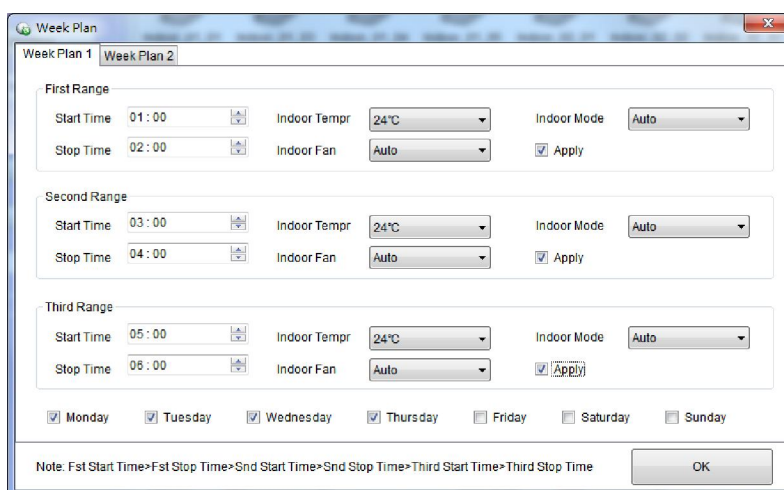
Indoor unit will executive command when click Apply after setting completed.

3) Weekly group timing control

Weekly group time control is one of the control function in user-defined Zone, system group has no this function, setting can be chosen only when the user-defined region is selected in query. Shown as figure below:



Then setting dialog box will pop out when Week Plan is selected, shown as figure below, After completion of set, click the "OK" button to finish the setting.



Notes:

All the related intellectual property rights as System patent right, software copyright etc. ownership belongs to Ningbo AUX Electrical Company Ltd.. Any unit or individual shall not copy, assignment, transact or use related production in other ways without permission. Otherwise Ningbo AUX Electrical

Company Ltd. will have the right to pursue legal responsibilities.

If system is damaged by suffering a natural force majeure (such as earthquake fire typhoon, etc.), all losses should be responsible for system investors.

The user should use legal copy of Windows XP or Windows 7 and other legal copy of related software and antivirus software, make sure the computer is virus free and the Computer Independent Connecting Billing System is unaffected by other network or external port (USB port etc.), otherwise it is the users' responsibilities if there is any lost or damage.

The user should use authorized computers along with UPS, the UPS should use the standard that it can keep the computer working for at least one hour if the power is suddenly cut off, and during this one hour the administrator would take care of the computer. It is users' responsibilities if any accident or data loss happened because of a sudden power failure.

he user must make sure that the Photoelectric isolating converter is placed in a safe place that the converter is not easily damaged by people, make sure the wiring terminal is not loose leading to poor contact, and make sure the power is NOT easily cut off, otherwise it is the users' responsibilities if there is any lost or damage.

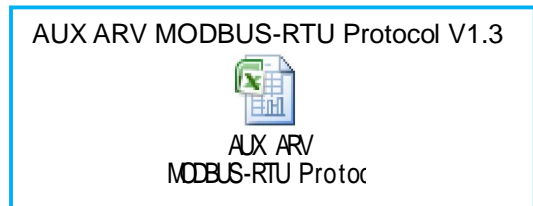
To make sure the system work for a long time, the user should regularly check and repair it, reboot the computer at a fixed time every day, so that the computer could run in a good environment, ensure the reliability of the system, release the computer resource. Here is what users should do, first stop the communications of Billing System, then exit it, reboot the computer, open the software after the computer is rebooted.

7. BMS- MODBUS Protocol

7.1 MODBUS-RTU Parameter

7.1.1 Configuration: Provided to the BMS management

MODBUS STYTLE	MODBUS-RTU
Baudrate	9600
Data-Bit	8
Stop-Bit	1
Check	even
Slave-ID range	1~64
MODBUS CODE	01,02,03,04,05,06
SUPPORT Broadcast	NO



7.1.2 Input Register: There are 14 parameters of each indoor unit can be monitored

Input Register Address	Content	Types	Notes
0	1# Indoor State	signed word	0-OFF / 1-ON / 2-Not Exist or Not Found
1	1# Indoor Type	signed word	Indoor Type (0,1,4,5,8,9,10,14,11,15,18,19-Cassette) (2,6,20,21-ESP Duct) (3,7,13,17-Ceiling & Floor) (12,16-Wall-Mounted) (22-Fresh Air Unit)
2	1# Indoor HP	signed word	Indoor Unit HP
3	1# Indoor Energy	signed word	Indoor Unit Energy
4	1# Indoor Mode	signed word	Control Mode(0-Auto/ 1-Cool/ 2-Dehumi/ 3-Healthy Dehumi/ 4-Heat / 5-Dry / 6-Flow)
5	1# Temperature Set	signed word	16~32
6	1# Indoor Fan Speed	signed word	Fan Speed(0-Stop/ 1-High/ 2-Medium/ 3-Low)
7	1# Indoor Error Code	signed word	Error Code
8	1# Indoor Tai	signed word	Display return air temperature
9	1# Indoor Tei	signed word	Display evaporator inlet temperature
10	1# Indoor Tem	signed word	Display evaporator central temperature
11	1# Indoor Teo	signed word	Display evaporator outlet temperature
12	1# Indoor Filter	signed word	0: Disable, 1: Enable
13	1# Reserved	signed word	/

7.1.3 Coil: There are 10 parameters of each indoor unit can be write / set (value is 0/1)

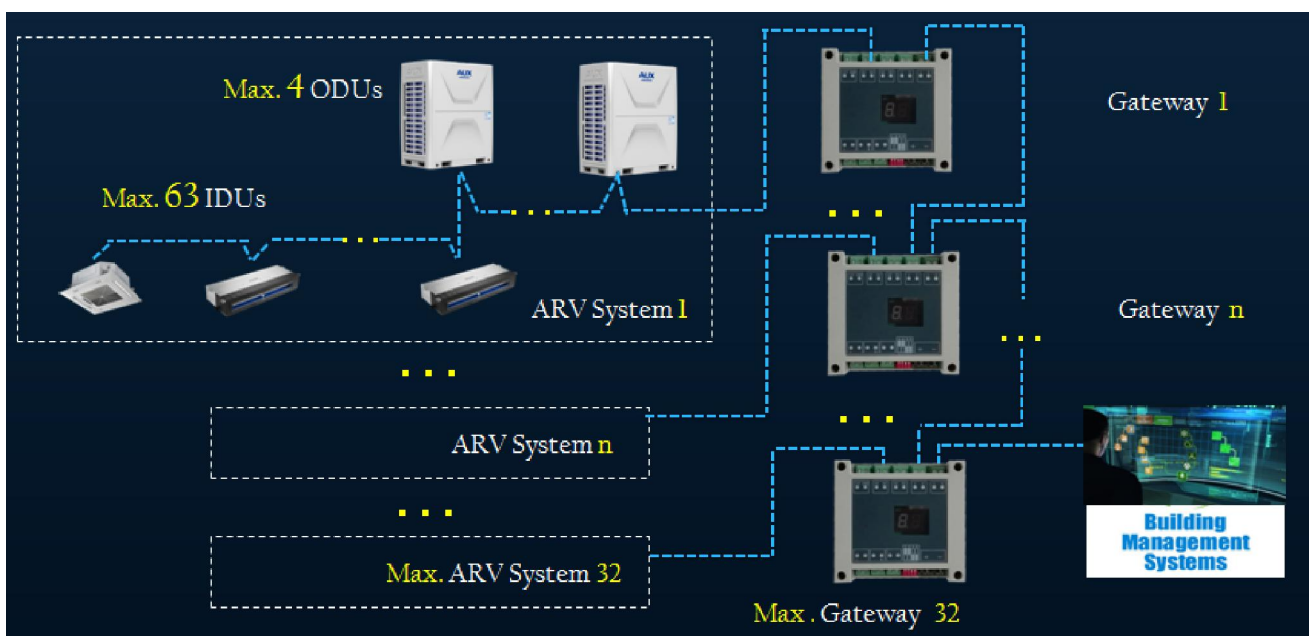
Coil Address	Content	Value/W	Data Type
0	1# Indoor ON/OFF	0	BOOL
1	1# Indoor ON/OFF Lock	0	BOOL
2	1# Indoor Control Mode Lock	0	BOOL
3	1# Indoor Temperature Set Lock	0	BOOL
4	1# Indoor Fan Speed Lock	0	BOOL
5	1# Indoor Up/Down Fixation	0	BOOL
6	1# Indoor Left/Right Fixation	0	BOOL
7	1# Indoor Sleep	0	BOOL
8	1# Indoor Healthy	0	BOOL
9	1# Indoor Filter	0	BOOL

7.1.4 Holding registers: There are 4 parameters of each indoor unit can be write / set

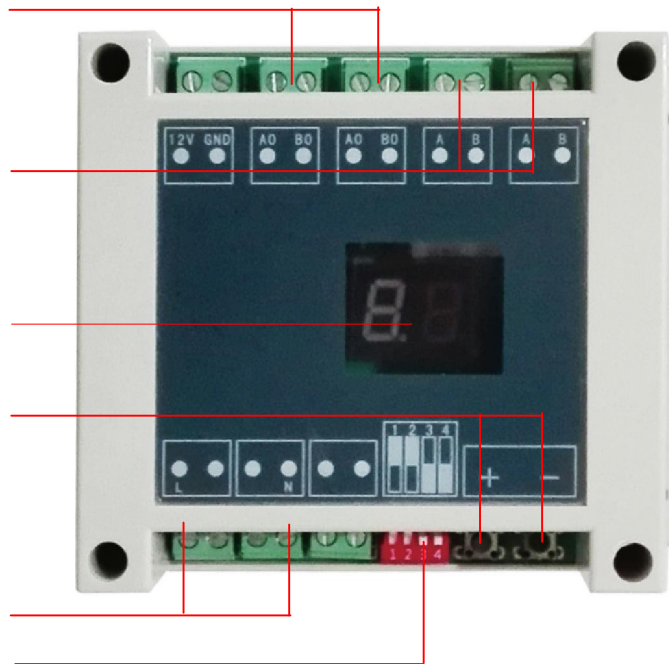
Holding Registers address	Content	MIN_ Value	Default Value	MAX_ Value	Data Type	Unit	Remark
0	1# Indoor Control Mode	0	0	6	SIGNED WORD	/	0-Auto/ 1-Cool/ 2-Dry /4-Heat / 6-Fan
1	1# Indoor Temperature Set	16	24	32	SIGNED WORD		16~32
2	1# Indoor Fan Speed	0	0	6	SIGNED WORD	/	1-High/ 2-Medium/ 3-Low/ 5-Auto
3	1# Indoor Reserved	0	0	6	SIGNED WORD	/	/

7.2 Overall structure

Each MODBUS Gateway support 1 ARV system



7.3 Hardware Features



To VRF system communication terminal “A.B” (2 core wire)

To next Gateway & to Network work-station (2 core wire)

Display slave address/

“01”means the first system.”02”means the second system...

Setting MODBUS-RTU Slave Address/

1. Press “+” or “-” to activate the slave address setting functions;
2. Press “+” and “-” at the same time for 5 seconds , then the Digital Display will be Flashing every second;
3. Press “+” to add the Slave Address , Press “-” to decrease the Slave address;
4. After Setting Address finish , wait 5 seconds , then the Digital Display will stop Flashing and display the Slave Address.

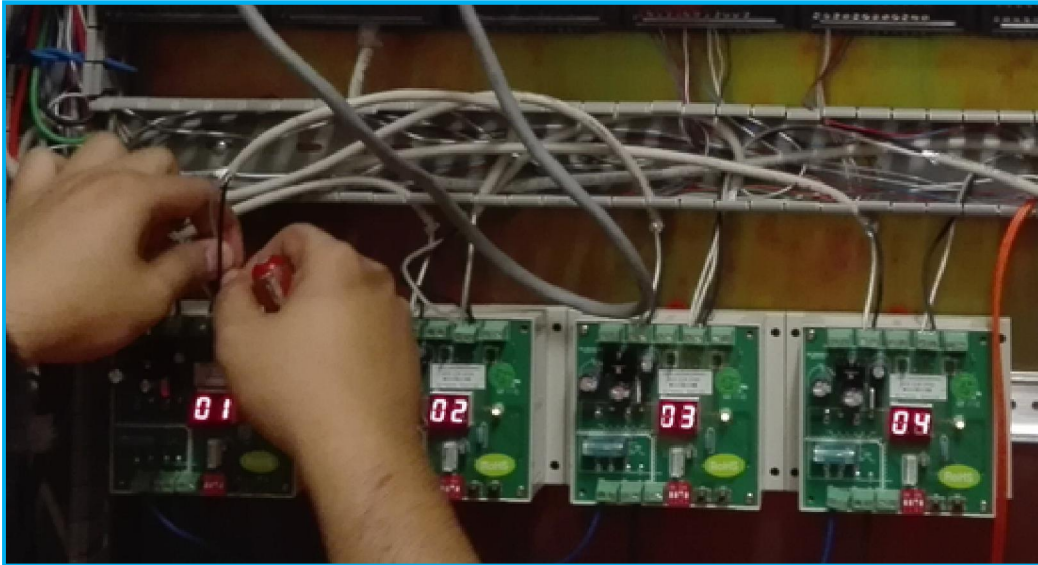
Power supply 220V

Dip-switch setting: **OFF/OFF/ON/OFF**

7.4 Project Commissioning

7.4.1 Make sure ARV system was commissioning successful

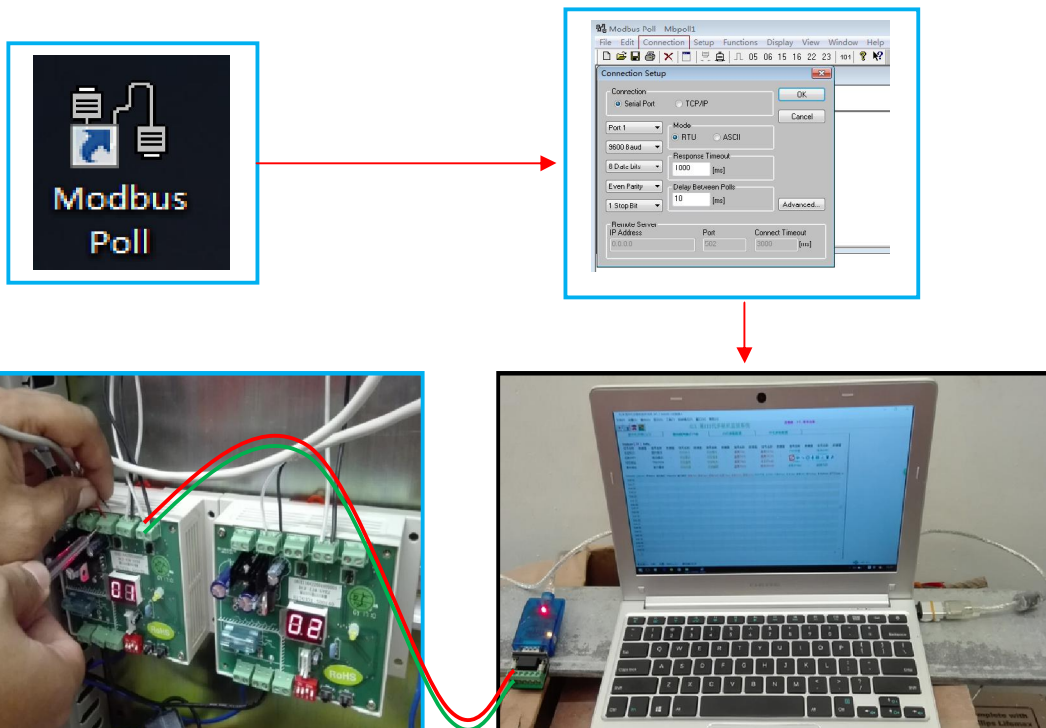
7.4.2 Make sure MODBUS Gateway was connected correct



Note:

1. Each Gateway should be set address, For example : 4 systems , address from 01 ~ 04
2. Each Gateway (16422001000001) should be Refresh program (Factory setting)

7.4.3 Check if Gateway is working normal or not, test by a software (MODBUS Poll)



7.4.4 Last, we can deliver the project to the BMS administrator, they will according " **AUX ARV MODBUS-RTU Protocol V1.3** " table to do management !

8. BMS- BACNET Protocol

8.1 BACNET Parameter Variable

There are 9 parameters of each indoor unit can be monitored or set.

Idx	Function	Note
1	ON/OFF	Indoor Units' ON/OFF state command and feedback.
2	Mode	Indoor Units' Mode (AUTO/COOL/DEHUMI/FAN/HEAT) command and feedback.
3	Temperature. Set	Indoor Units' ambient temperature command(range : 16 ~32) and feedback.
4	Fan Set	Indoor Units' fan command (High/Medium/Low/Auto) and feedback.
5	Ambient Temperature	Indoor Units' ambient temperature.
6	Error	Indoor and outdoor Units' error.
7	ON/OFF Lock	A type of command used for forbidden users operating ON/OFF command by remote controller and wire controller.
8	Mode Lock	A type of command used for forbidden users operating Mode command by remote controller and wire controller.
9	Temperature. Lock	A type of command used for forbidden users operating Tempr. Set by remote controller and wire controller.

Note :

The **ON/OFF Lock, Mode Lock, Temperature Lock** is inactive after indoor units' Power-Off.

Index	Function	Object Name	Object Type	Unit	Note
1	ON/OFF	Indoor_YY_XX_OnOff	BV		1 : ON/ 0 : OFF
2	Mode	Indoor_YY_XX_ModeSet	AV		0 : Auto Mode 1 : Cool Mode 2 : Dehumi Mode 3 : / 4 : Heat Mode 5 : / 6 : Fan Mode
3	Temp. Set	Indoor_YY_XX_TemprSet	AV		Range : 16~32
4	Fan Set	Indoor_YY_XX_FanSet	AV		1 : High Fan 2 : Medium Fan 3 : Low Fan 4 : / 5 : Auto Fan
5	Ambient Temp.	Indoor_YY_XX_Tai	AV		
6	Error	Indoor_YY_XX_Error	AV		Error Code
7	ON/OFF Lock	Indoor_YY_XX_OnOffLock	BV		1 : Lock/0 : Unlock
8	Mode Lock	Indoor_YY_XX_ModeLock	BV		1 : Lock/0 : Unlock
9	Temp. Lock	Indoor_YY_XX_TemprLock	BV		1 : Lock/0 : Unlock

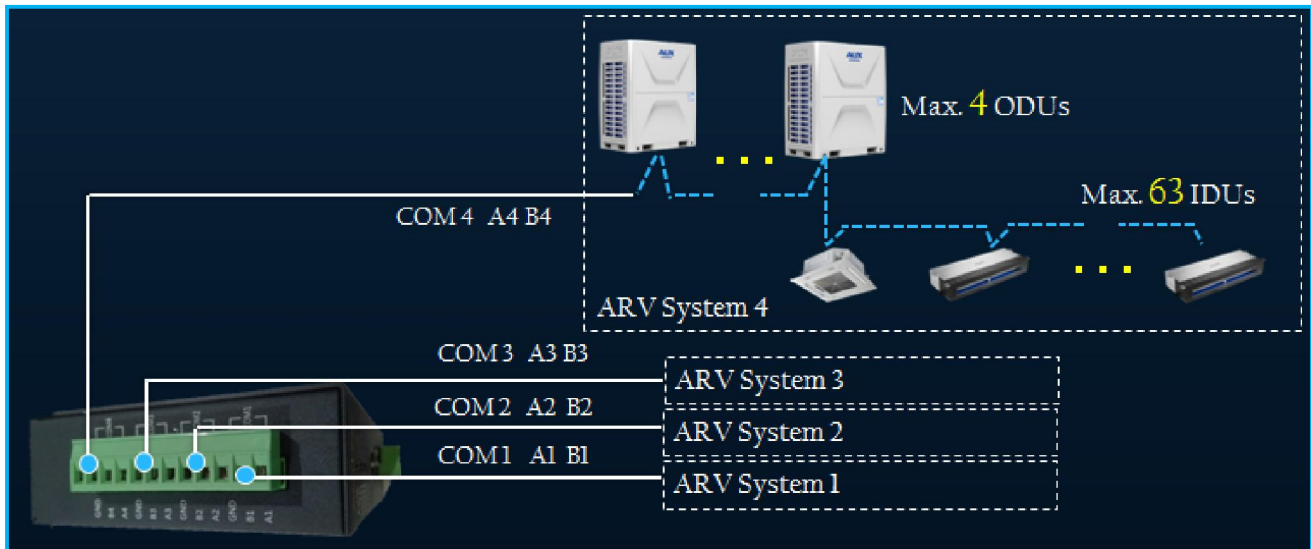
Note :

YY : ARV System Address(Range : 01~04); **XX**: ARV indoor units Address(Range : 01~64);

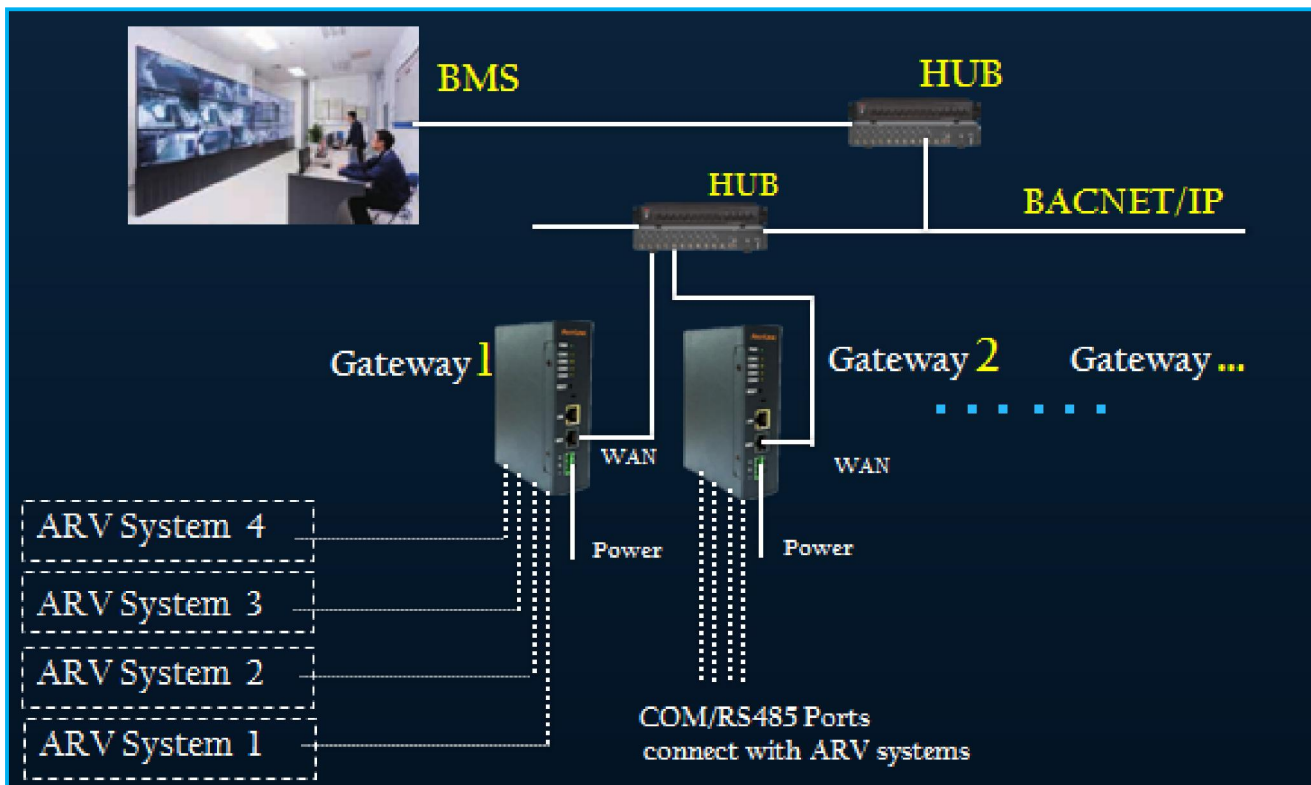
8.2 Overall structure

Each BACNET/IP Gateway has 4 RS-485 ports which can support 4 ARV systems

The COM Ports of ARV BACNET Gateway is connect with the ARV ODU/IDU Network



Any client device that support the BACNET/IP Protocol can integrate to BMS system by HUB



8.3 Hardware Features



Power

DC24 , 7W

Convenient Wiring

LAN(Reserve)、WAN、4 RS485 Ports

Dimension

115x35x135 mm

Installation Type

Slide-way Type

8.4 Web Configure

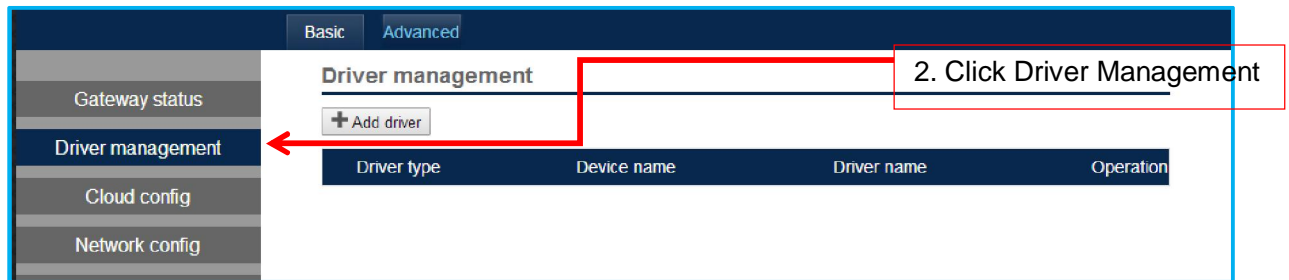
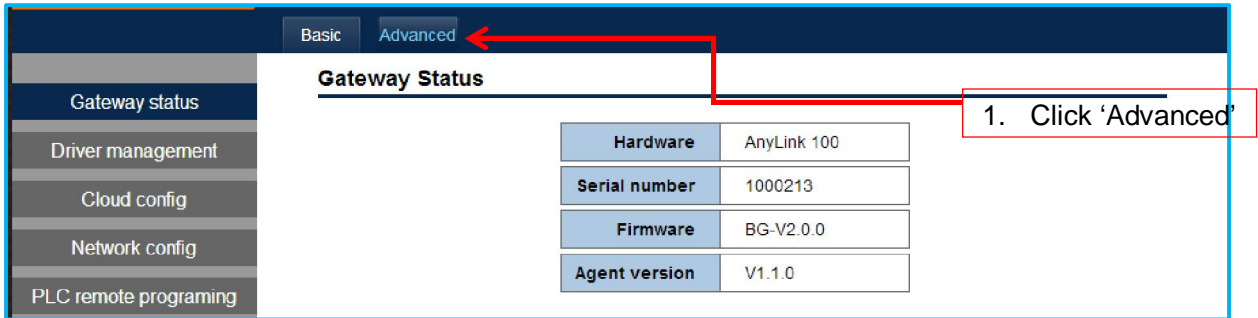
8.4.1 The BACNET Gateway IP and Computer IP should in the same network Segment

1. Power on, connect the RJ45 Port at the computer with the 'WAN' Port at BACNET Gateway.
2. Set the computer IP at Internet Protocol (TCP/IPv4):
 - IP Address: 192.168.100.x (x range: 2~252);
 - Subnet Mask: 255.255.255.0;
 - Default Gateway: 192.168.100.1;Click 'OK'.
3. Open the Google Chrome or Firefox explorer, input '192.168.100.126', then the 'login' Page will be shown. Input name: admin, password: admin, click 'Login', then go into the Configure Page.

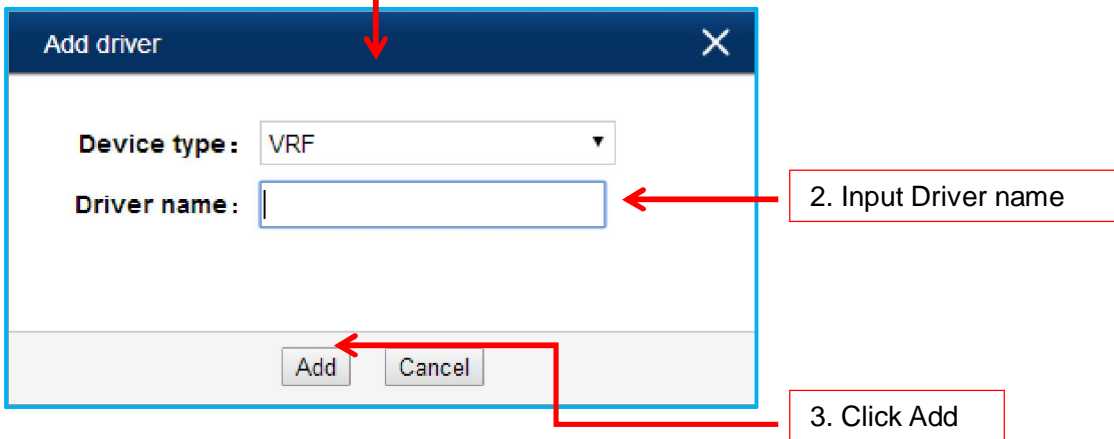
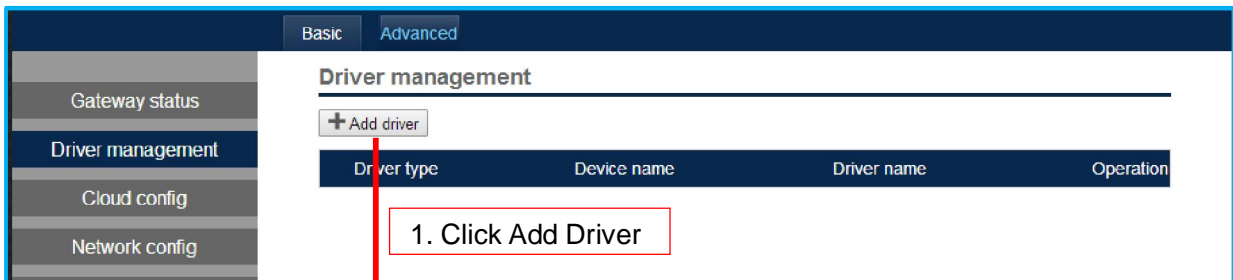


8.4.2 Configure the Driver Management

1. Go into the 'Driver Management' Page. Click 'Advanced' –'Driver Management':



2. Add ARV Driver



3. When finish these steps, the content is shown as follows.

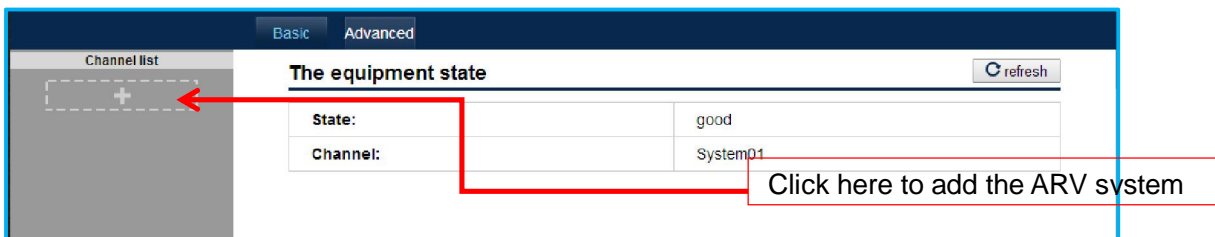


If you want to remove the driver information, then click .

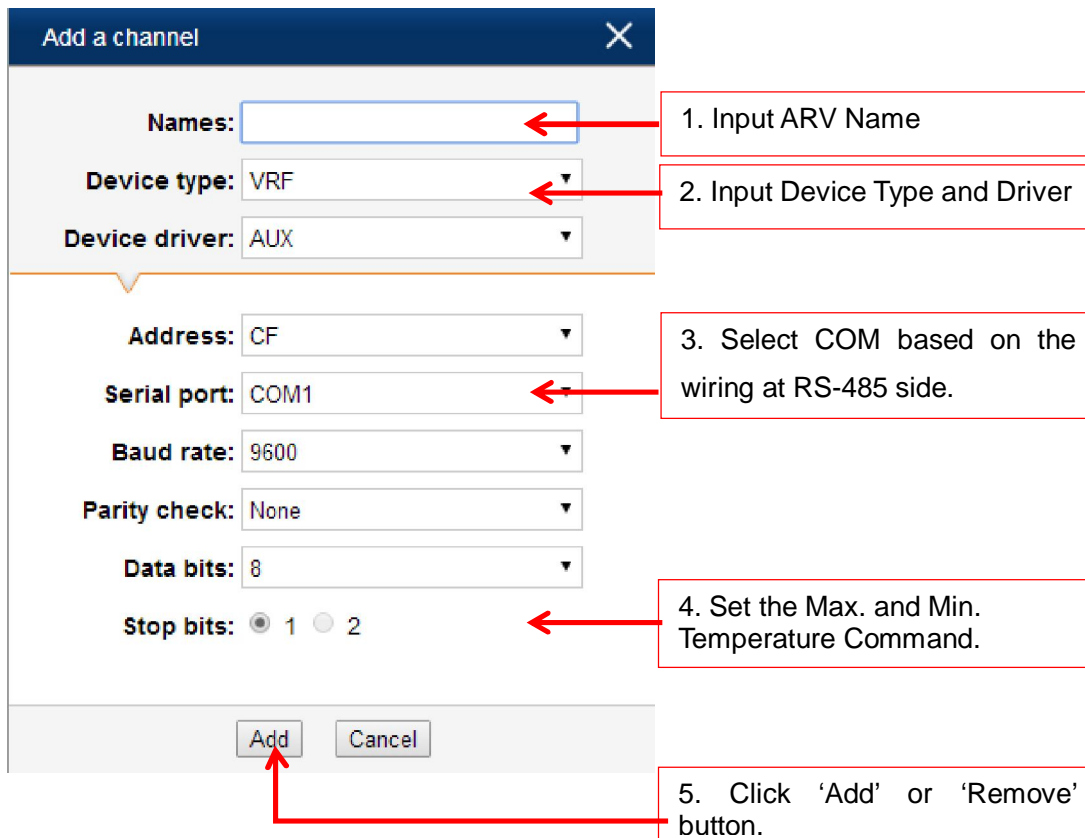
Before removing the driver information, you should make sure all of the indoor/outdoor information has been removed.

8.4.3 Add ARV System Information

1. Click 'Basic', then click the  at channel list to add the ARV system.



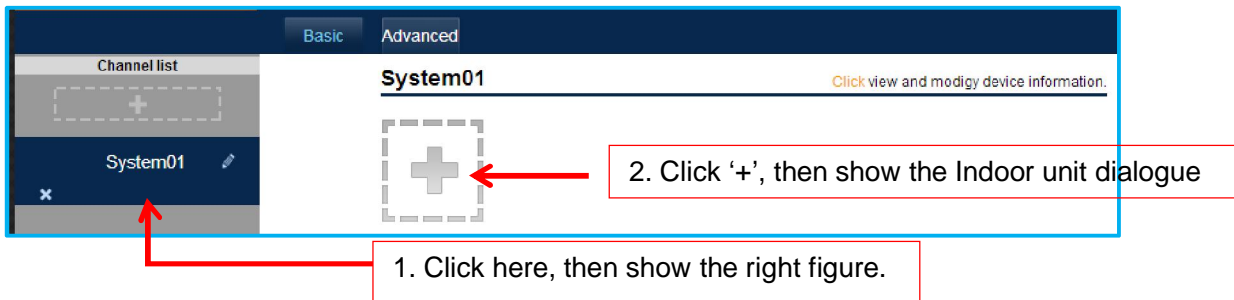
2. A dialogue will be shown



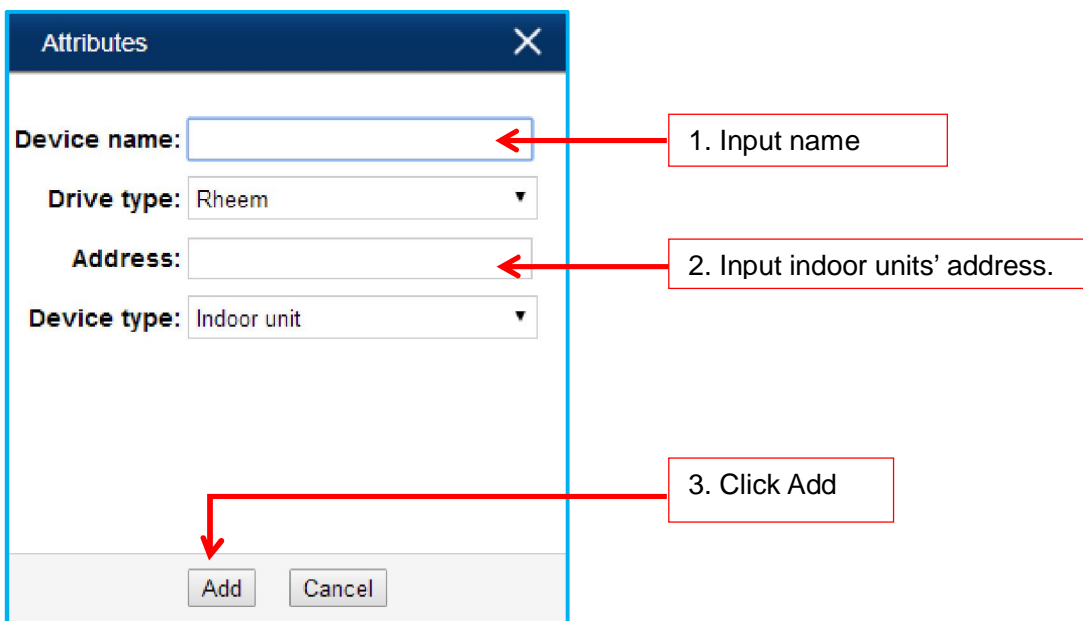
8.4.4 Add indoor units' information

The indoor units are belong to the Outdoor unit. So before Add the indoor unit, we should select the ARV system first.

1. Select the ARV System.



2. Add indoor units as follows.



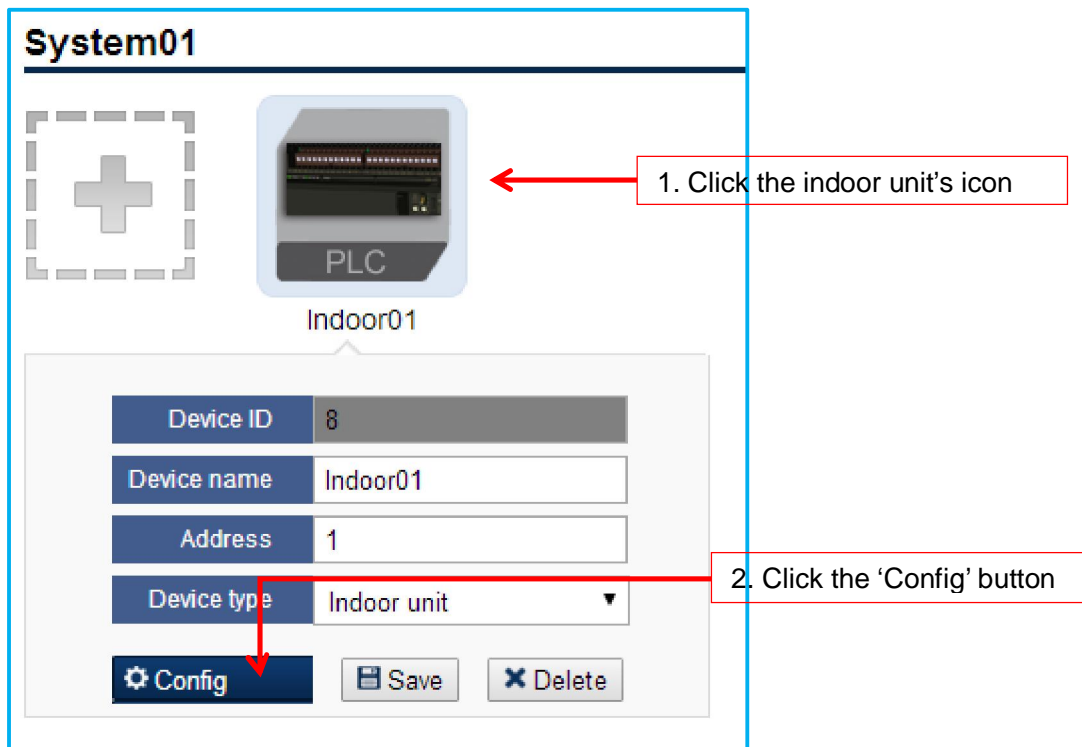
3. After finished, it is shown as follows.



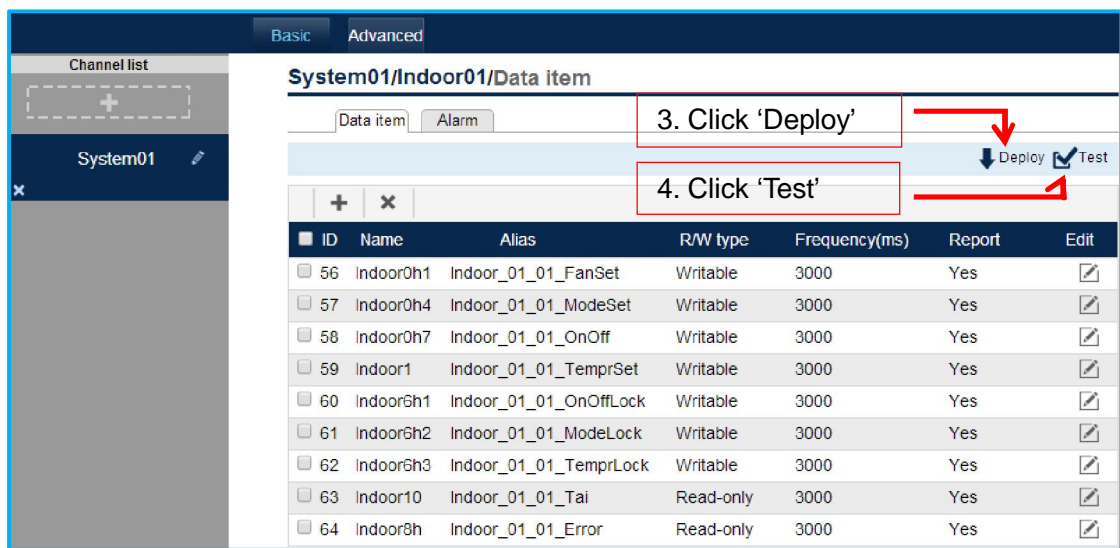
8.4.5 Download the Indoor units' information

After finish adding the indoor units' information, we should download the information to activate the BACNET side.

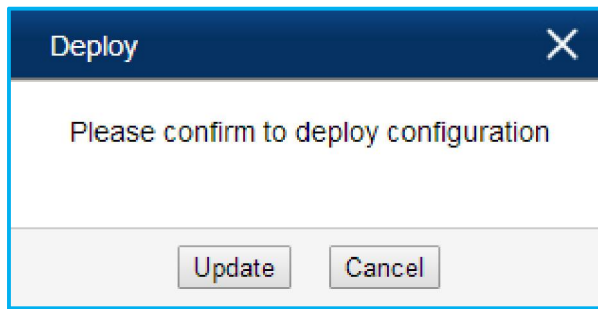
1. Click the indoor unit's icon, then shown the dialogue as follows;



2. Click the 'Config' button, the BACNET information will be shown as follows,



3. Click 'Test' button, then shown the dialogue as follows. Click 'Update.



4. After Update, click the 'Test ' Button to make sure all the indoor units' BACNET information is right

名称	别名	设备ID	数据项ID	值	状态
Indoor0h1	Indoor_01_01_FanSet	0	undefined	1	good
Indoor0h4	Indoor_01_01_ModeSel	0	undefined	1	good
Indoor0h7	Indoor_01_01_OnOff	0	undefined	0	good
Indoor1	Indoor_01_01_TempRSe	0	undefined	16	good
Indoor6h1	Indoor_01_01_OnOffLo	0	undefined	0	good
Indoor6h2	Indoor_01_01_ModeLox	0	undefined	0	good
Indoor6h3	Indoor_01_01_TempRlc	0	undefined	0	good
Indoor10	Indoor_01_01_Tai	0	undefined	21.4	good
Indoor8h	Indoor_01_01_Error	0	undefined	0	good

Note, if the indoor unit's state is Bad, it will be shown as follow.

This section displays the acquisition data of the device, which is used to verify that the configured data item is correct.

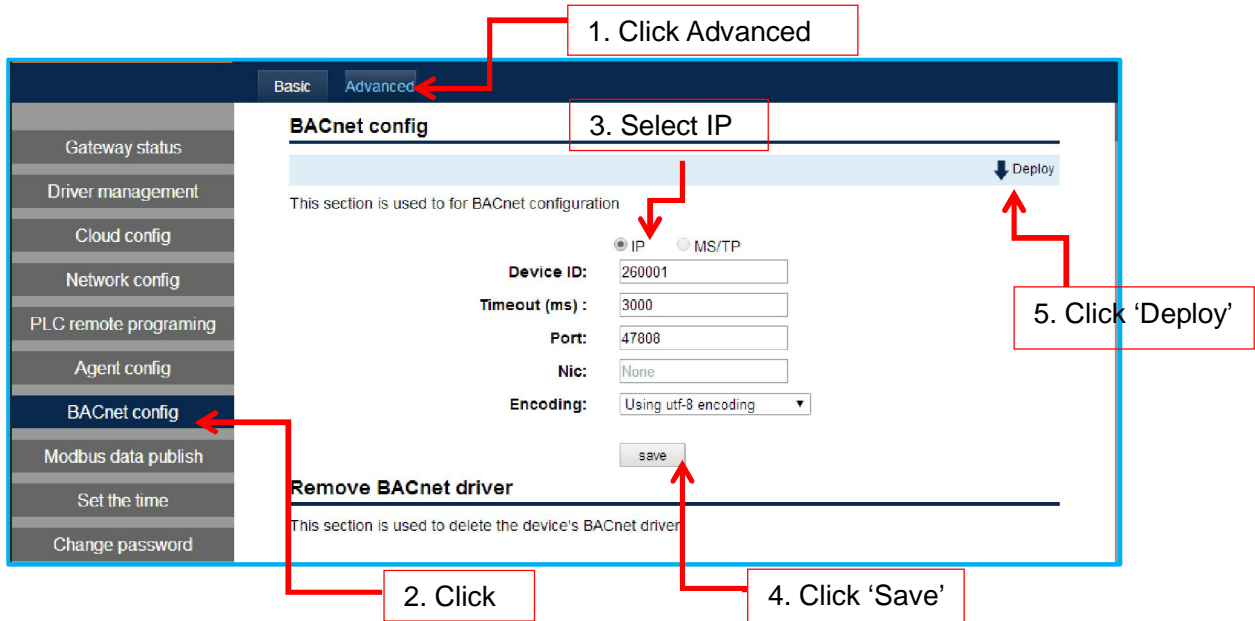
Name	Alias	Device ID	Data item ID	Value	State
Indoor0h1	Indoor_01_01_FanSet	0	undefined	-1	bad
Indoor0h4	Indoor_01_01_ModeSel	0	undefined	-1	bad
Indoor0h7	Indoor_01_01_OnOff	0	undefined	0	bad
Indoor1	Indoor_01_01_TempRSe	0	undefined	-1	bad
Indoor6h1	Indoor_01_01_OnOffLo	0	undefined	0	bad
Indoor6h2	Indoor_01_01_ModeLox	0	undefined	0	bad
Indoor6h3	Indoor_01_01_TempRlc	0	undefined	0	bad
Indoor10	Indoor_01_01_Tai	0	undefined	-1	bad
Indoor8h	Indoor_01_01_Error	0	undefined	-1	bad

For the bad state, we can solve it by follow steps:

- I Check if the indoor unit set in the BACNET Gateway is exist. In other words, the indoor unit's address must match with the exist one, Or the indoor unit setting in the BACNET Gateway doesn't make sense.
- I Communication error between the Indoor unit and Outdoor unit side at RS-485 port.

8.4.6 Download the BACNET Gateway Configure

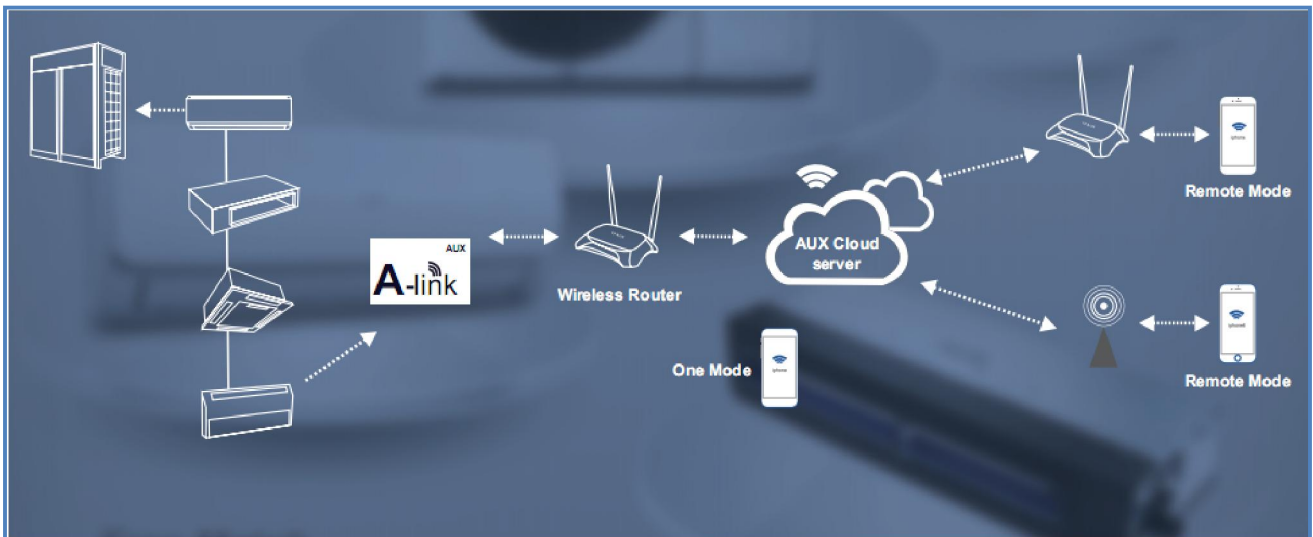
1. Click 'Advanced'-'BACnetConfig' , select 'IP', click 'Deploy'.



2. After Finished, all configuration success.

9. Wireless Network Centralized Control System

9.1 Overall Structure



9.2 Operating Method

1) Install the specialized control software to mobile terminal

- Ø For Android system , install the following specialized software



- Ø For iPhone device
Pls. download at the following website

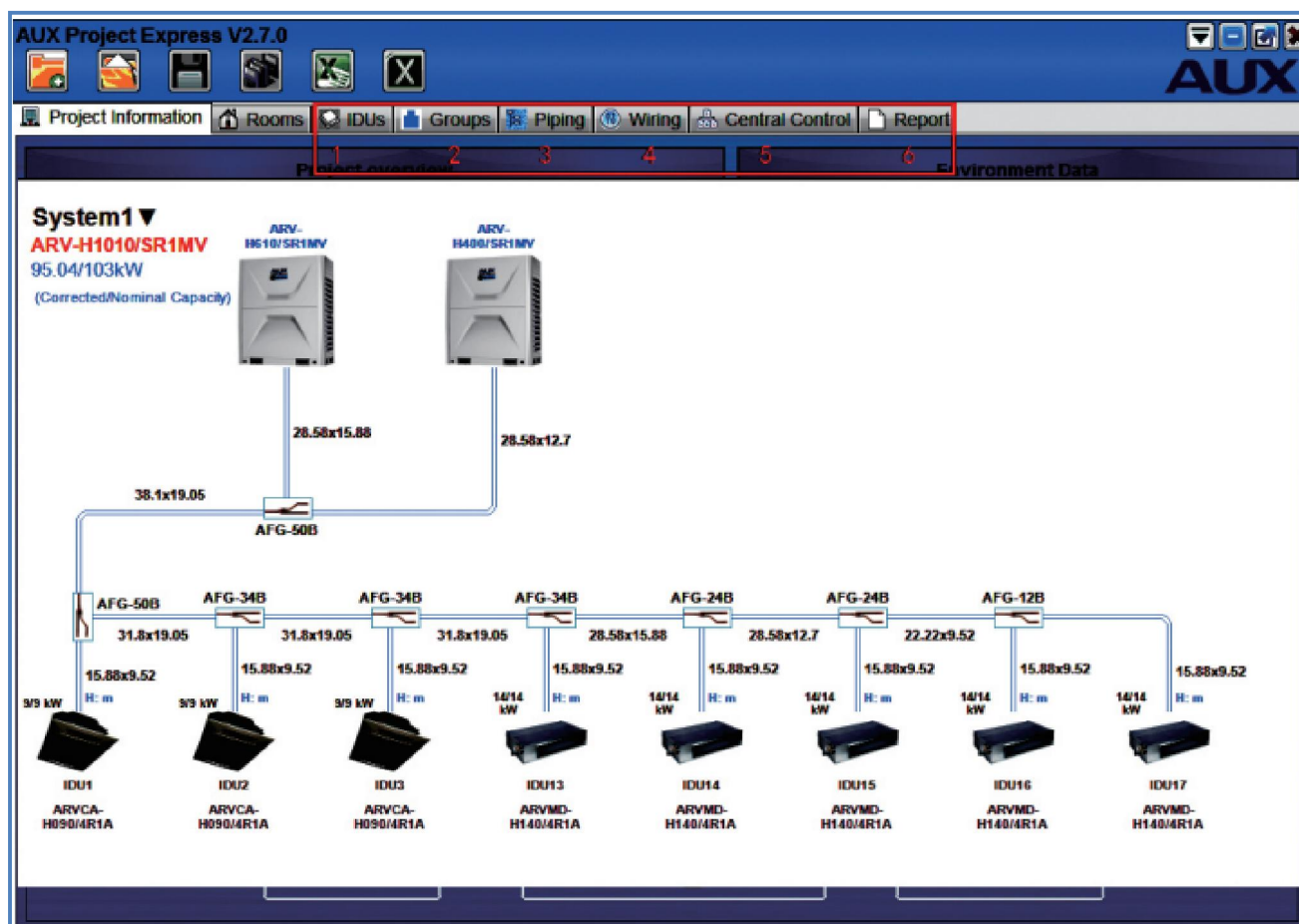
- a) <http://www.logicsolutions.com.cn/store/auxapp.php>
- b) <http://www.logicsolutions.com.cn/store/auxiphone.php>

10. Selection software

10.1 Parts of the ARV selection

No	Steps	Instruction
1	Selecting indoor units	Selecting indoor unit for project according the capacity, air flow volume and room information.
2	Selecting outdoor units	Automatic selection suitable outdoor unit for project according to the capacity of indoor units,the capacity ratio between indoor and outdoor unit, and the temperature of indoor and outdoor unit.
3	Drawing piping diagram	Every outdoor system can draw corresponding piping diagram. The system will auto select branch pipe,gas pipe and liquid pipe according to selected indoor and outdoor unit. The pipe length can be input according to the project diagram if the project need. Ability compensation also can be displayed for the software.
4	Drawing wiring diagram	Every outdoor system can draw wiring diagram. The wiring length can be input according to the project diagram if the project need. Wing includes: power cable, signal cable and so on. Remote controller and wired controller can be chosen according to the customer's demands.
5	Selecting BMS or Centralized Controller	The software can be used to select either BMS or centralized controller and draw connecting wiring diagram.
6	Output the report	The report can be output in 3 kinds of forms, PDF, word and CAD.

10.2. The Result As Below



NINGBO AUX ELECTRIC CO.,LTD

Add: NO. 1166 North Mingguang Road, Jiangshan, Ningbo, Zhejinag, PR. China

E-mail: auxcac@mail.auxgroup.com

[Http://auxcac.cn](http://auxcac.cn)

Tel:+86-574-88220564

The above designs and specifications are subject to charge without prior notice. Final specifications please refer to latest technical specification provided by sales representative.

AUX

Technology leads Intelligent life

NINGBO AUX ELECTRIC CO.,LTD